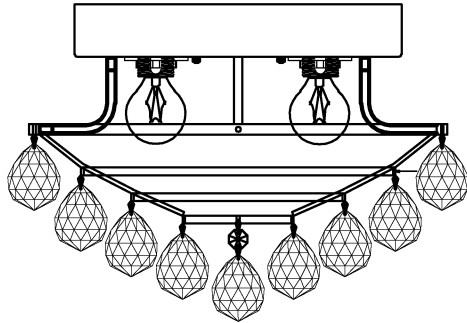


Trade Mark:  
CRYSTAL WORLD INC

Product Name: Ceiling lamp  
Model :8038C12C  
120Vac, 60Hz,AC ONLY  
Lamp size:Ø12"XH9"

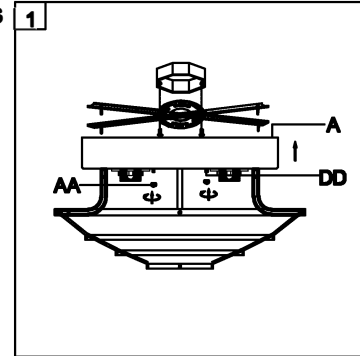


## CEILING LAMP ASSEMBLY INSTRUCTIONS

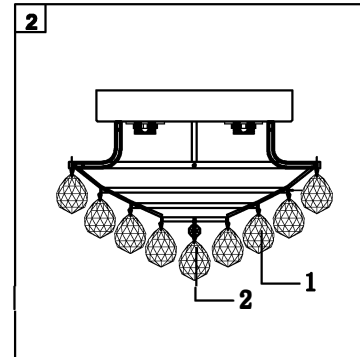
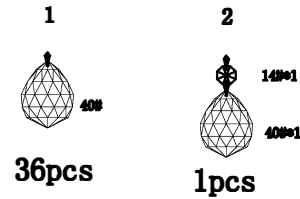
1. Place fixture(A) onto mounting screws (DD).secure with cap nuts (AA).


### Hardware Used

AA Cap nut            X 4  
DD Mounting screw       X 4



2. Please put the crystal (1) to the fixture .



3. Install light bulbs ( not included).  
Use bulb  
120V E12  3\*40W Max.

