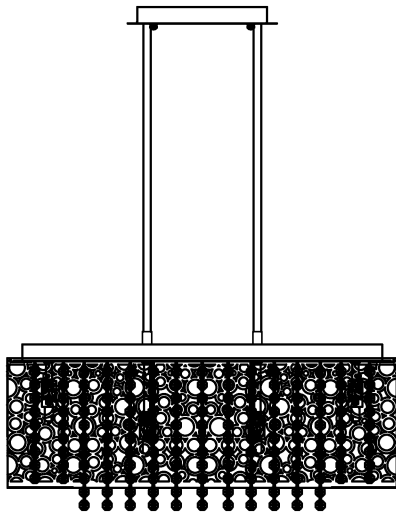


Trade Mark:
CRYSTAL WORLD INC

Product Name: Ceiling lamp
Model :5536P24ST
120Vac, 60Hz,AC ONLY
Lamp Size:Ø30"*H10"

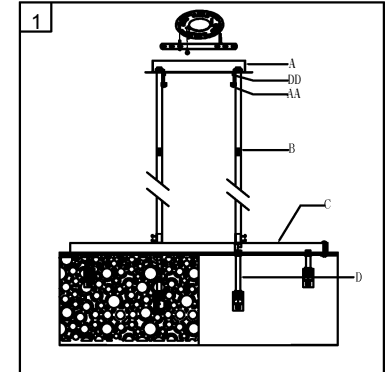


CEILING LAMP ASSEMBLY INSTRUCTIONS

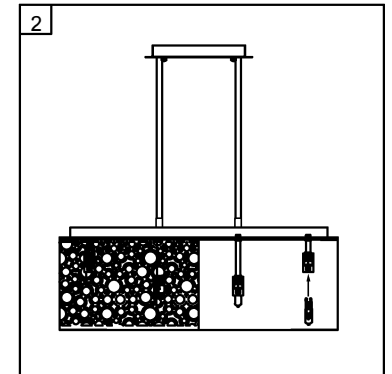
1. Place fixture(A) onto mounting screws (DD).secure with cap nuts (AA). Please fix (A) with (B).(B) with (C), (D) to (C)

Hardware Used

AA Cap nut		X 2
DD Mounting screw		X 2



2. Install light bulbs (not included).
Use bulb
120V G9 9*40W Max.



3. Please put the crystal(1,2) to the fixture.

