

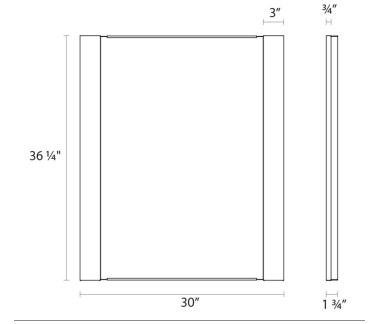
Project:

Vanity LED Mirror Kit Spec Sheet

SKU: 2554.01 Learn more at:
<https://sonnemanlight.com/vanity-led-mirror-kit>

Description: **Vanity LED Mirror System provides bright and even LED illumination in a compact form that enables mounting flush against a mirror or in a tight alcove.** Available in a Slim 1.5" profile that provides over 500 LED lumens per foot, and a Wide 3" profile that provides an astonishing 800 LED lumens per foot. Also available as [stand-alone Bath Bars](#).

Type #:



Dimensions

Height:	36.25"
Width:	30"
Extends:	1.75"
Minimum Extension:	1.75"
Maximum Extension:	1.75"
Size:	Wide Vertical

Electrical Specs

Bulb(s) Included?:	Yes
Bulb 1 Type:	Integral LED
Bulb Quantity:	2
Input Voltage:	120VAC
Wattage:	80
Initial Lumens:	4800
Delivered Lumens2:	4288
Color Temperature:	3000K
CRI:	90
Power Supply Type:	Transformer
Power Supply Quantity:	1
Power Supply Location:	Outlet Box
Dimming Type:	ELV
Bulb Max Wattage:	80

Installation

Installation:	Licensed electrician required
Installation Orientation:	Any Orientation

Shipping

Carton 1 L x W x H:	39" X 7" X 7"
Carton 1 Gross Weight:	33 LBS
Carton 2 L x W x H:	39" X 7" X 7"
Carton 3 L x W x H:	30" X 4" X 42"

Shade

Shade 1 Material:	Optical Acrylic
-------------------	-----------------

Available Finishes

Available Finishes: Polished Chrome (.01)

General Listings

Features:	Damp Rated
Certification:	cETL
Color/Finish:	Polished Chrome (.01)
Dark Sky Friendly:	N