

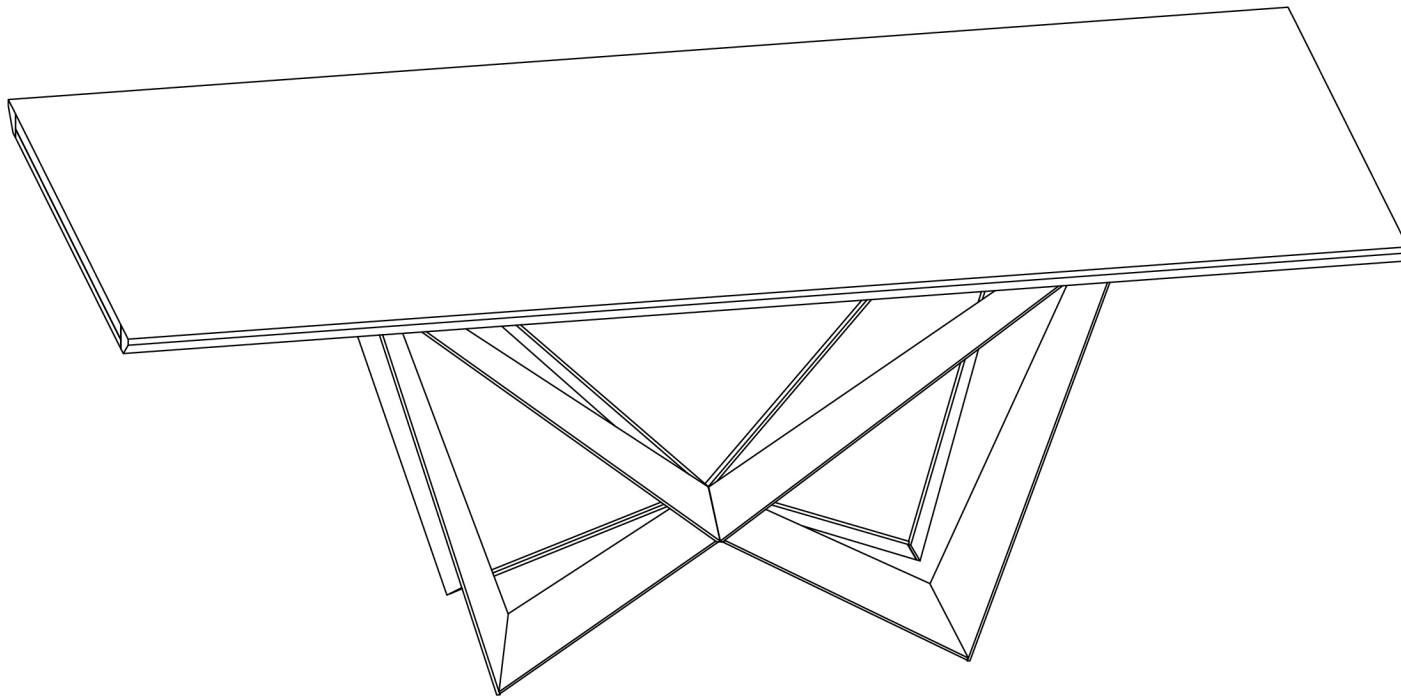
# MOE'S

home collection

## ASSEMBLY INSTRUCTIONS.

BROLIO DINING TABLE CHARCOAL



RP-1007-07





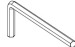
THANK YOU FOR YOUR PURCHASE!

## PARTS AND HARDWARE.

### PART LIST

NO.	DESCRIPTION	IMAGE	QTY
P1.	Top		1
P2.	Leg		2

### HARDWARE LIST

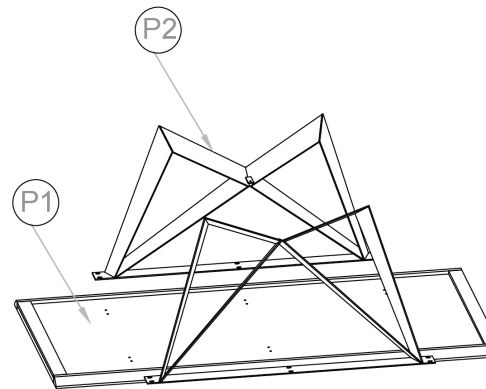
NO.	DESCRIPTION	IMAGE	QTY
H1.	Allen bolt -M 8-20MM		13
H2.	Washer		13
H3.	Allen key-6MM		1

### NOTES.

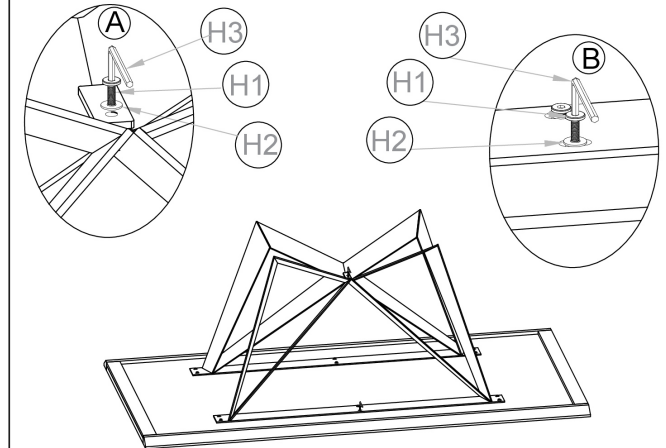
Thank you for purchasing this quality Product! Be sure to check all packing material carefully for small part that may have come loose inside the carton during shipping.

**CAUTION:** The item is heavy, assembly should be performed by two people.

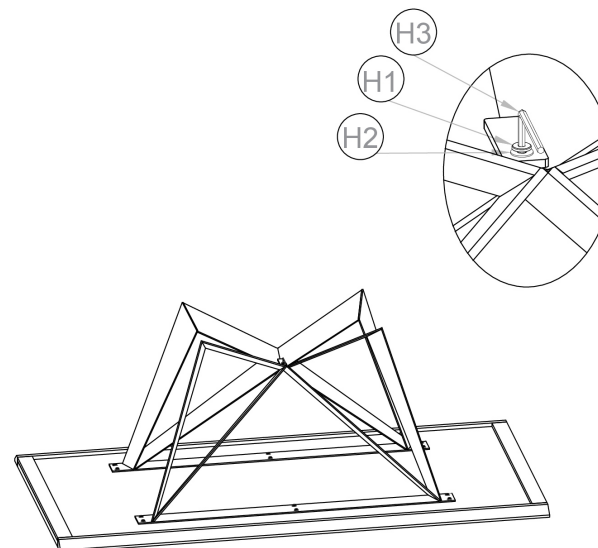
### STEP 1.



**STEP 2.** First attach the leg's using Allen Bolt with the help of Allen Key as shown in fig. (do not screw tight), then attach the legs with the Top as shown in fig.



**STEP 3.** Now fully tight the legs using Allen Bolt with the help of Allen Key.



### STEP 4.

