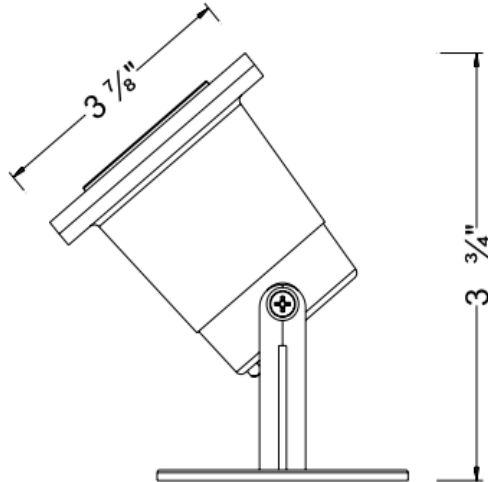
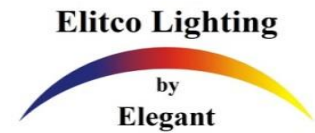


U001

OUTDOOR LANDSCAPE LIGHTING UNDERWATER LIGHT



PRODUCT DESCRIPTION

Outdoor lighting underwater light that uses an MR16 lamp (not included). Clear flat glass for maximum light output, Silicone plug where lead wire exits fixture.

SPECIFICATIONS:

Material: Die Casting brass

Lead wire: 25' SJTOW 2*16A(1.3MM2)

Glass or Lens: Clear Glass

light source(not included): MR16/GU5.3 LED Lamp

Maximum Lamp Rating: 35W

FINISHES: Antique Brass

INSTALLATION:

End of underwater cable must be potted to prevent moisture from entering cable and consequently entering luminaire. Connector or splicing of cable must be made above water line and at least 4' from water edge. This luminaire comes equipped with 25' of waterproof cable to facilitate installation away from water. Strip two leads from luminaire pigtail. Using two safety connectors (provided) connect leads from luminaire to main supply cable leads.

DIMENSIONS: D3.875" X H3.75"

LABELS: N/A