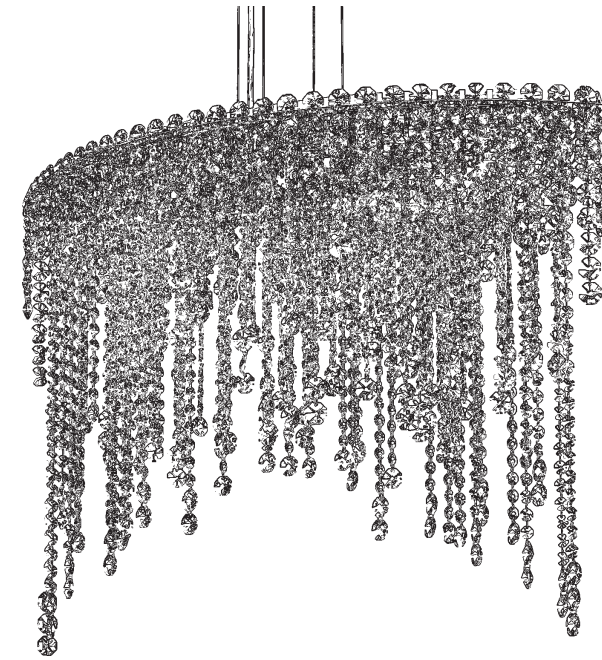




SCHONBEK®

CHANTANT
CH3612N- __ __ H



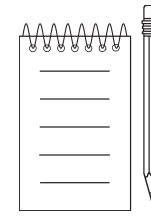
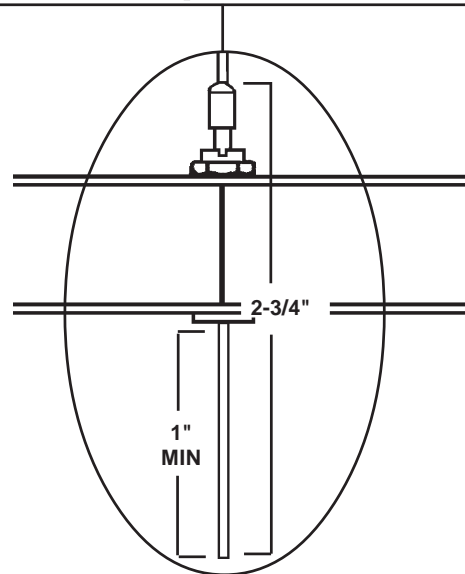
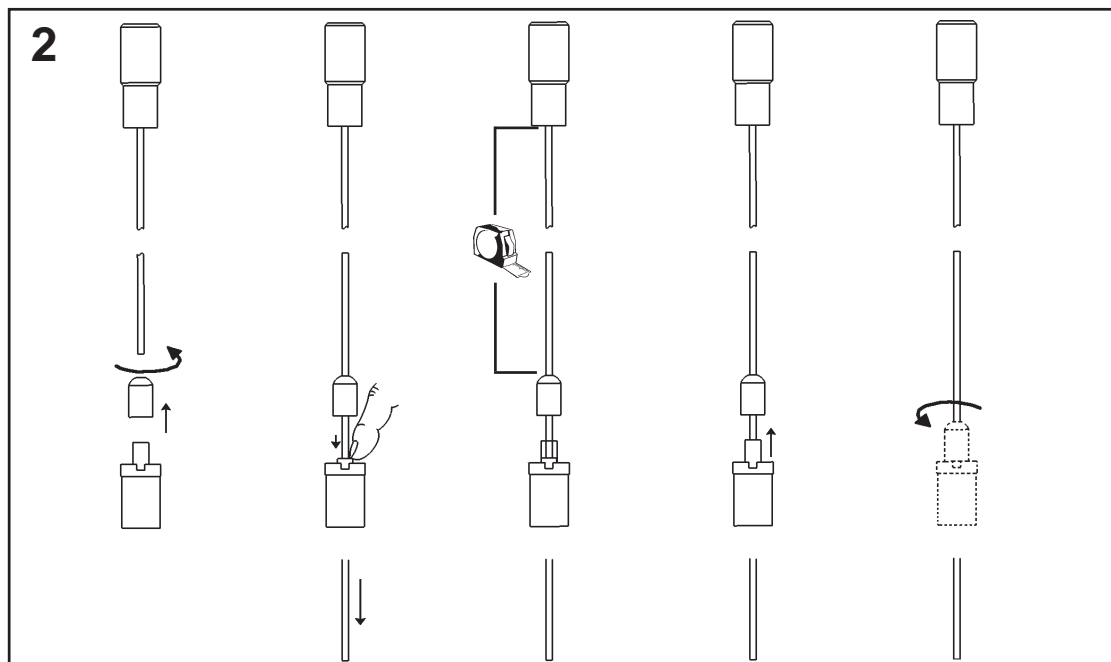
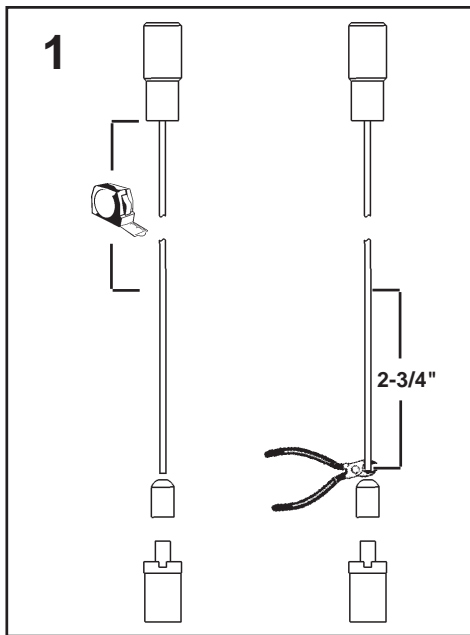
THIS DESIGN IS THE PROPRIETARY
TRADE DRESS/TRADEMARK OF
SWAROVSKI LIGHTING, LTD.

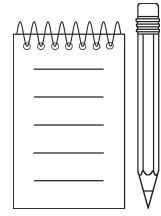
6 Lights
Length: 33"
Width: 15"
Height: 24"
Hanging Weight: 32lbs.



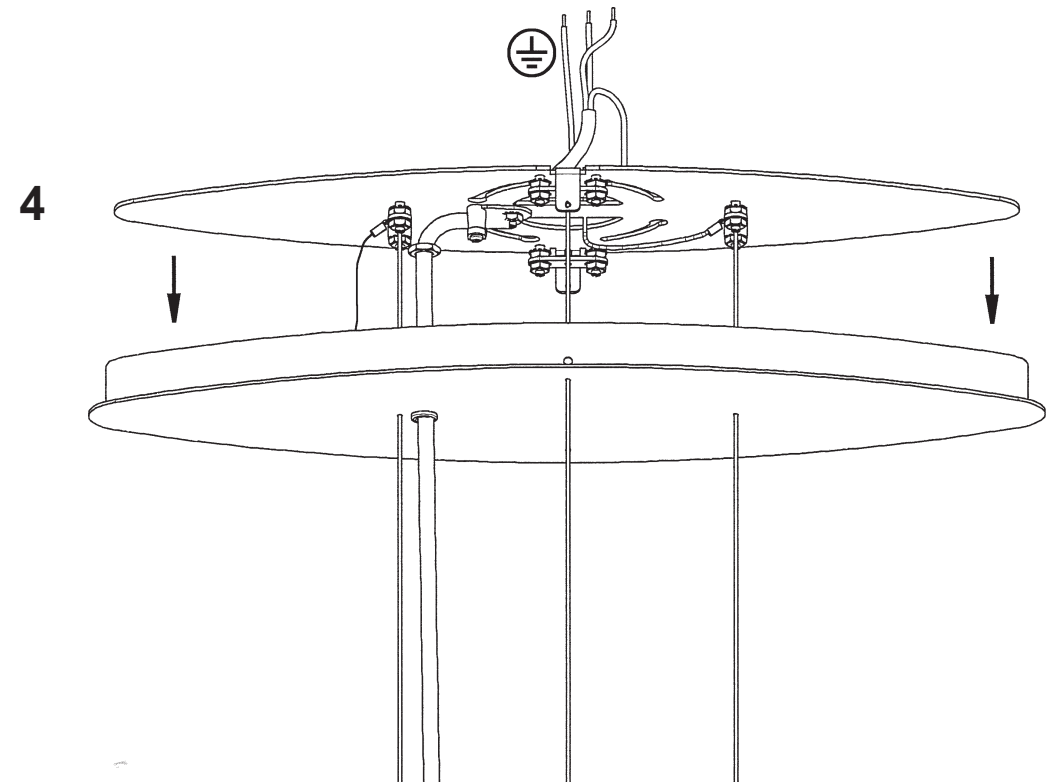
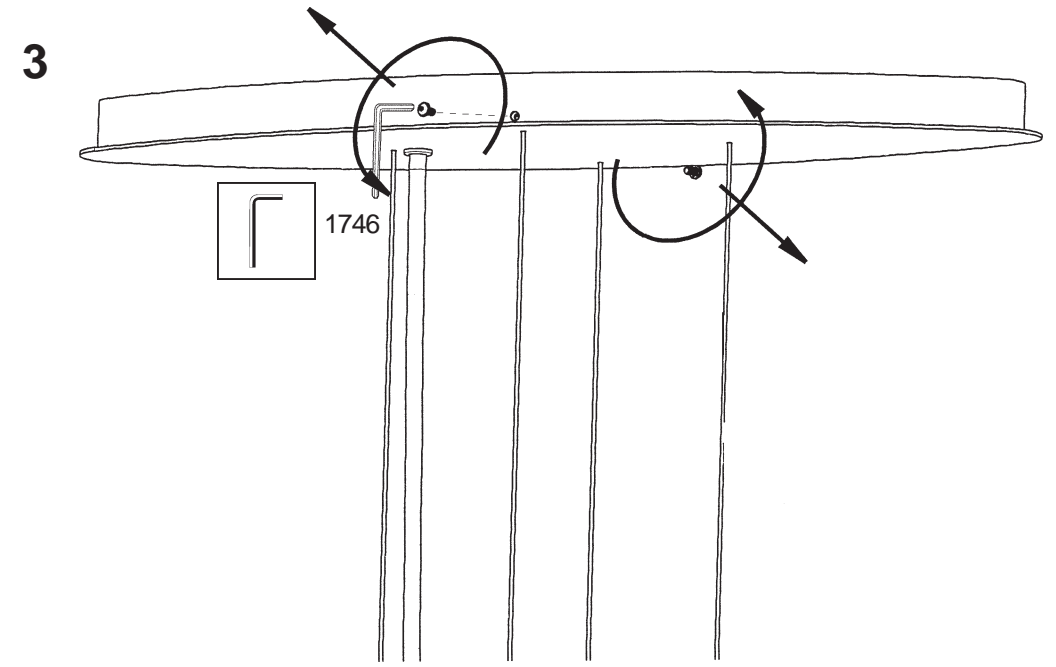
SCHONBEK®

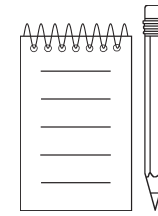
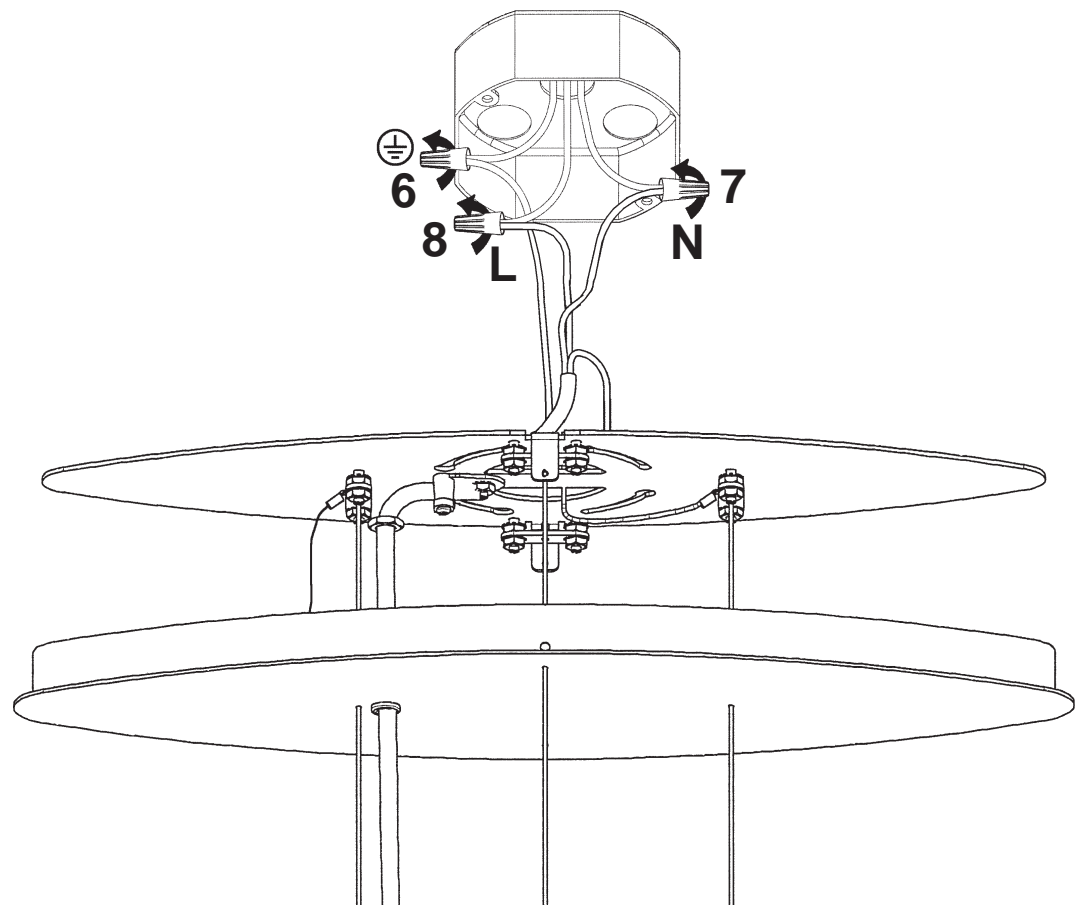
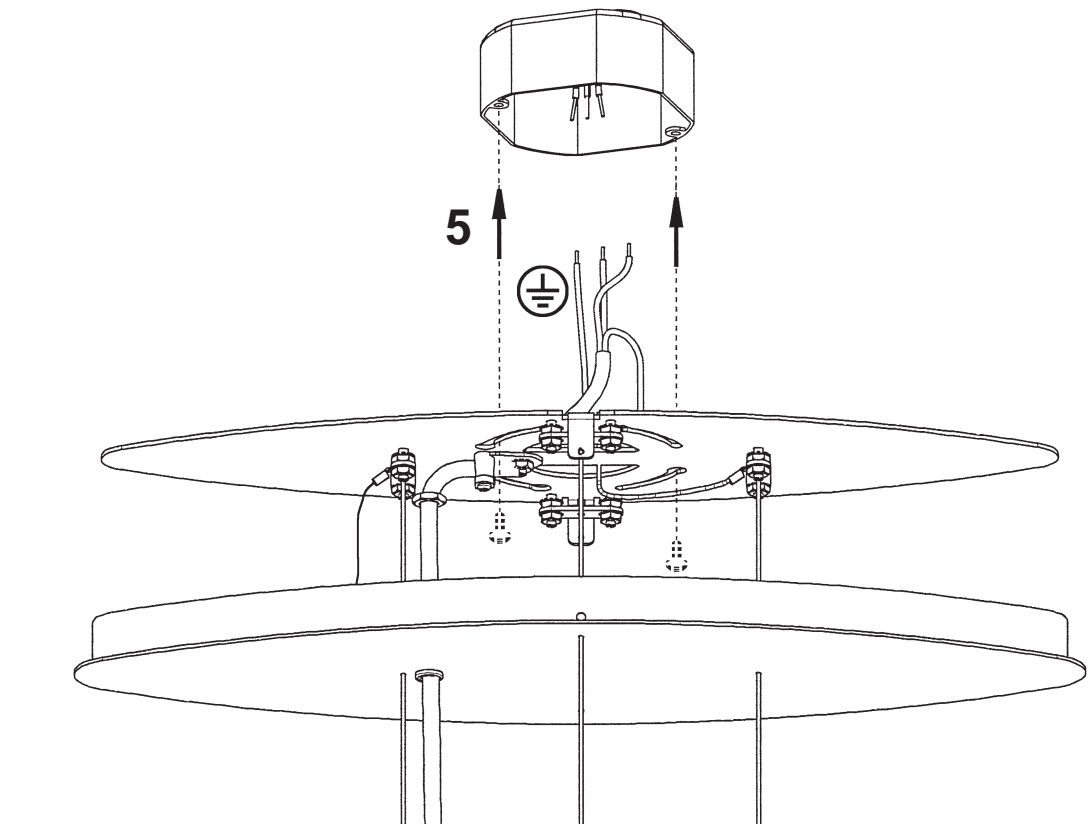
MAX <u>50</u> W		110-120 V						

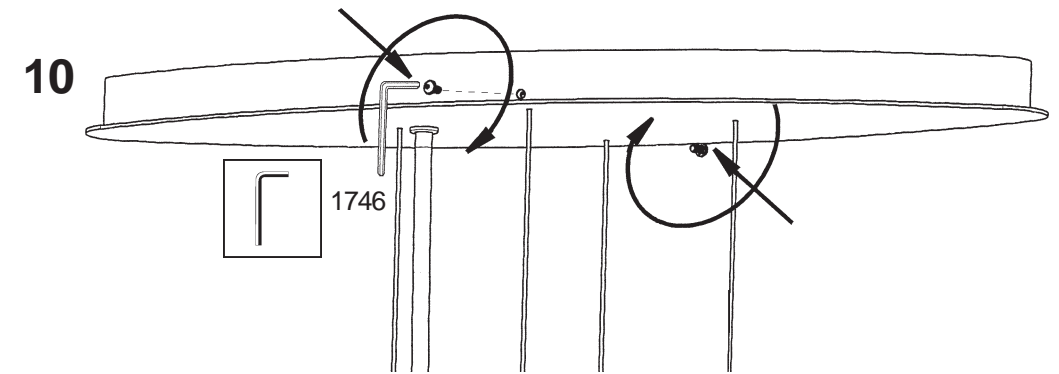
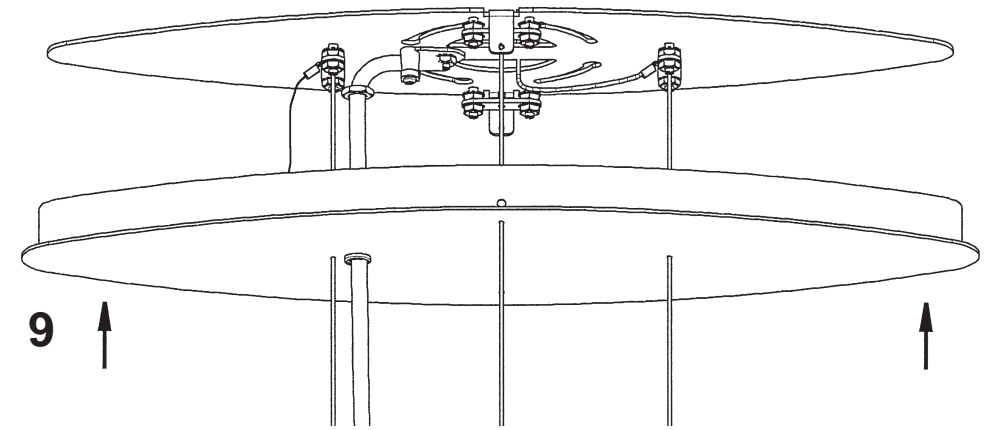
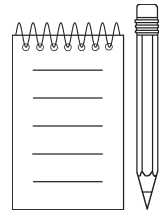


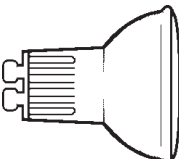



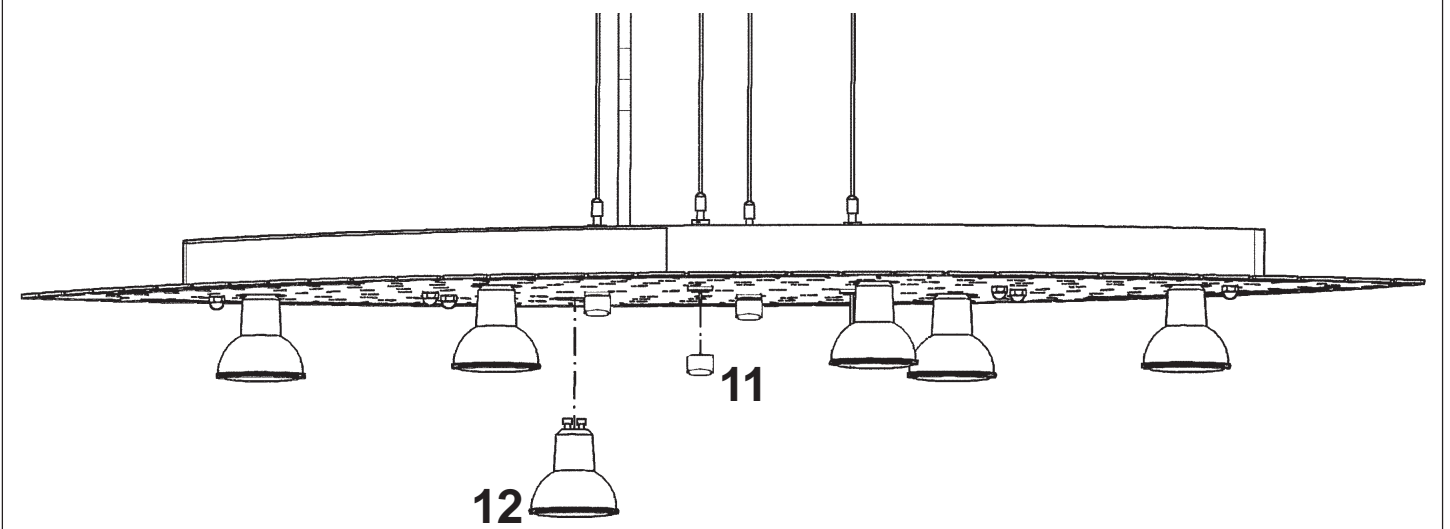
1X  : 1746

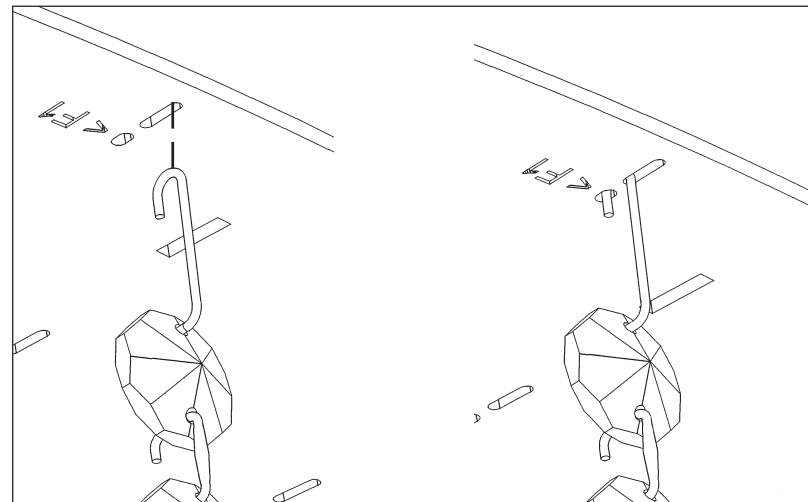
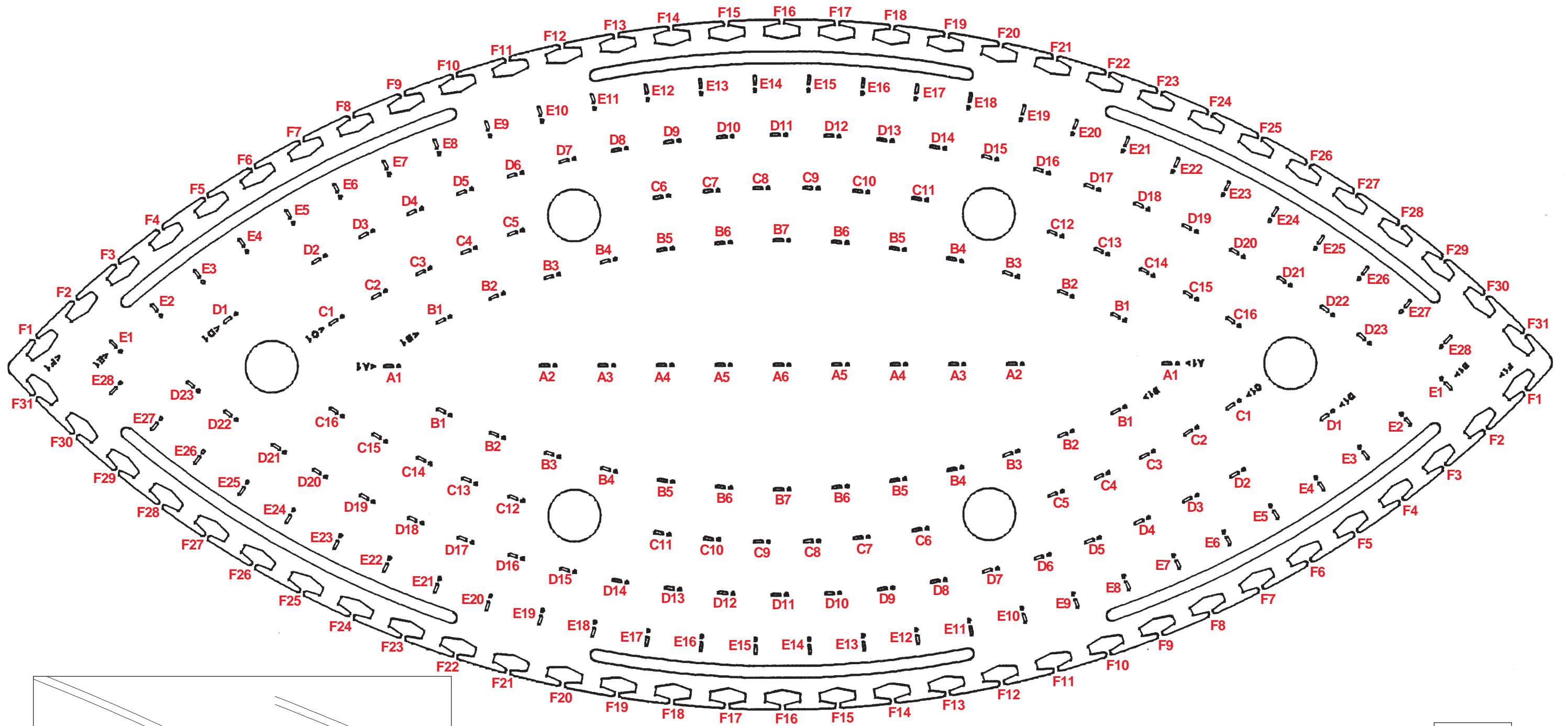






6 X  : GU10 50W MAX 





After hanging all trim, remove labels from crystals. If residue remains, wipe off crystal with a soft, dry cloth.

- 13 A1 - A6
- 14 B1 - B7
- 15 C1 - C16
- 16 D1 - D23
- 17 E1 - E28
- 18 F1 - F31