

---

# Cubix<sup>™</sup>

**24Z0002K**  
Medium Pendant

**24Z0003K**  
Large Pendant

## Table of Contents

Cubix Product Information and Warnings	3
Welcome to Cubix	4
Installing Cord and Cable Drops	5
Remote power supply and 24SKP06 installation	6
Assembly Instructions 24Z0002K (Medium Pendant)	7
Assembly Instructions 24Z0003K (Large Pendant)	22
Coax Splicing	<b>Appendix A</b>
Wiring reference	<b>Appendix B</b>
Component Breakdown	<b>Appendix C</b>

## Cubix™ Product Information and Warnings

### Important

- **Always disconnect the power before installing or replacing Luminaires and before cleaning or other maintenance.**
- **Consult a qualified, licensed electrician to ensure correct branch circuit conductor.**
- ***Consulter un électricien qualifié pour vous assurer que les conducteurs de la dérivation sont adéquats.***
- Please read all included assembly instructions and warnings carefully before installation. Contact Customer Service if you have any questions or concerns. Before installation, please confirm that the fixture is compatible with your supply voltage and dimming system, if present.
- LEDs are highly sensitive electronic devices, and must be treated with care. Do not open any factory sealed compartments, and avoid touching the LEDs with your hands or any object.
- Although all our fixtures are equipped with protective devices, LED electronic systems are vulnerable to power surges and supply variations. Do not install LED fixtures on the same circuit as any motors, appliances, or HVAC systems.
- Remote LED Driver installation must be done by a licensed electrician and in accordance with local building and electrical codes. Remote installations should be in an accessible location, as close to the fixture as possible. The appropriate wire gauge must be used to limit the voltage drop to avoid overloading the LED Driver.
- Any mounting hardware is provided for your convenience and should be used with discretion. Always use the appropriate hardware for the mounting surface.
- All factory-made splices and connections must remain intact. LED circuits are carefully designed and built, and improper connections may damage the fixture.
- The ends of coaxial pendant cords have been precisely stripped and split at the factory and must not be field cut. Excess cord or cable should be neatly coiled and reserved in the fixture canopy.
- Cubix™ LED Drivers are 24VDC Constant Voltage output.
- Cubix™ is suitable for installation in Damp Locations.

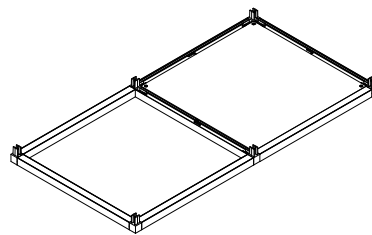
## Welcome to Cubix™

A Cubix configuration is built from a series of cubes with lit panels shining down. The system is made of light panels, arms, and connector pieces, allowing different configurations. The fixture is supported by cable ceiling hangers, and is connected to the ceiling canopy.

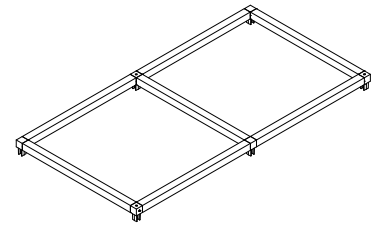
## What comes in the box

### Light Panels and Frames

Refer to Appendix C  
for full component breakdown



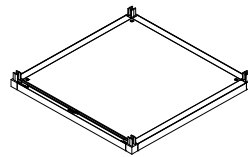
Light Panel  
(24KK1LPDA-24KK1LPEA)  
(24KK1LPDA-24KK1LPHA)



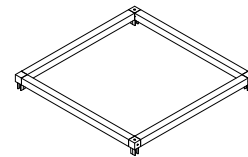
Frame  
(24KK1HFEA-24KK1HFGA)

### Frames and Arm Frames

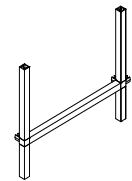
Refer to Appendix C  
for full component breakdown



Light Panel  
(24KK1LPDA-24KK1LPFA)  
(24KK1LPHA-24KK1LPGA)

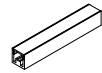


Frames  
(24KK1HFAA-24KK1HFDA)  
(24KK1HFAA-24KK1HFHA)

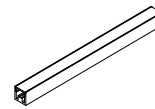


Arm Frames  
(24KK1VFAA-24KK1VFCA)  
(24KK1VFAA-24KK1VFDA)

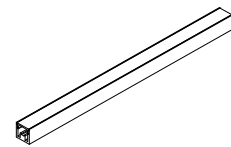
### Arms and Arm Caps



24AK04 (3)

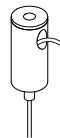


24AK08 (25)

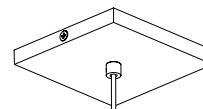


24AK12 (47)

### Hangers and Canopy

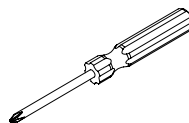


24SKC06 (25)

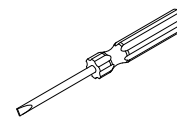


24SKP06 (3)

### Miscellaneous



Phillips Screwdriver (1)



Slotted Screwdriver (1)



Countersunk Screws (304)

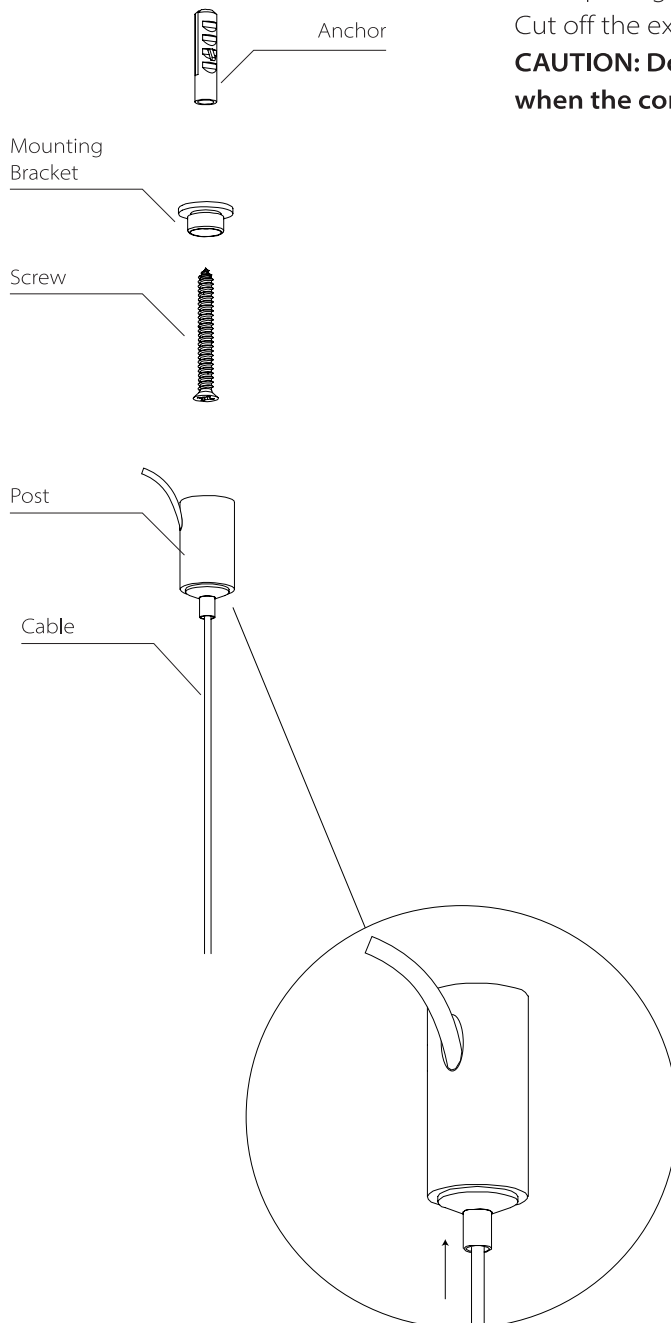
## Installing Cord and Cable drops

1. After the suspension drop locations have been determined, install the Mounting Bracket to the ceiling with Anchor (if appropriate) and Screw, then screw the Post onto the Mounting Bracket.

**CAUTION: Customer is responsible for ensuring appropriate ceiling construction to support the weight of the fixture.**

2. Insert the Cable into the Post and adjust to the desired length: to shorten, push the cable up; to lengthen, push in the plunger while pulling down on the Cable, release the plunger to lock. Cut off the excess cable where it exits the Post.

**CAUTION: Do not cut off excess cable until after the final step when the configuration is fully assembled and leveled.**



## Remote power supply and 24SKP06 installation

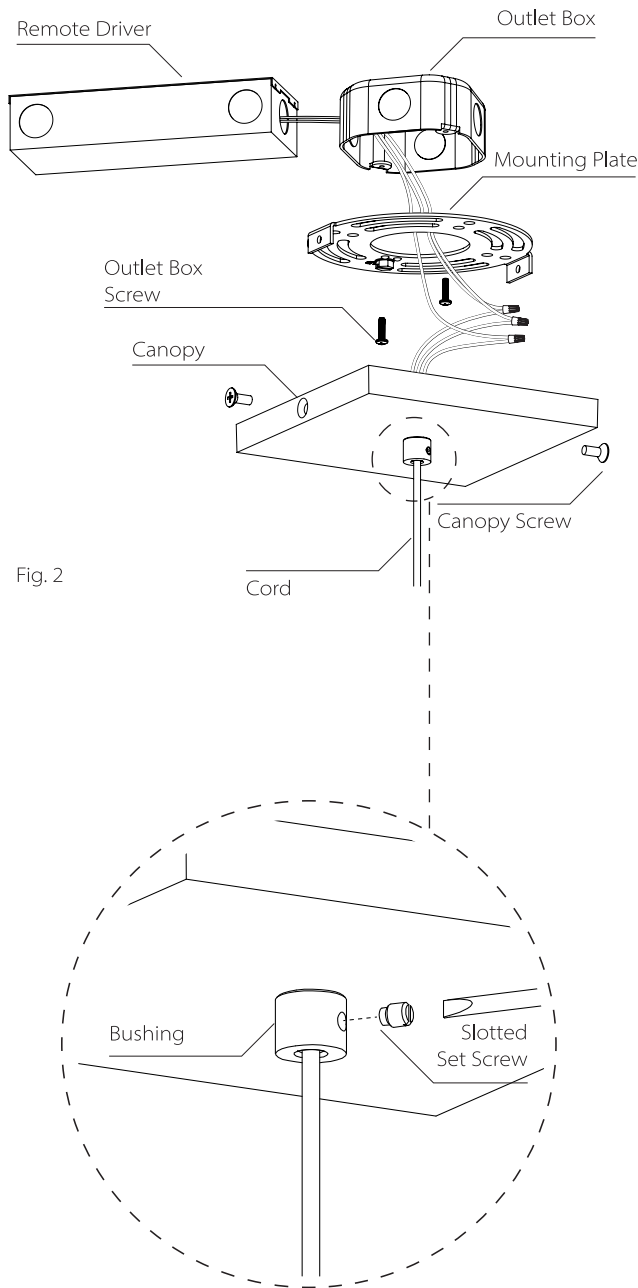
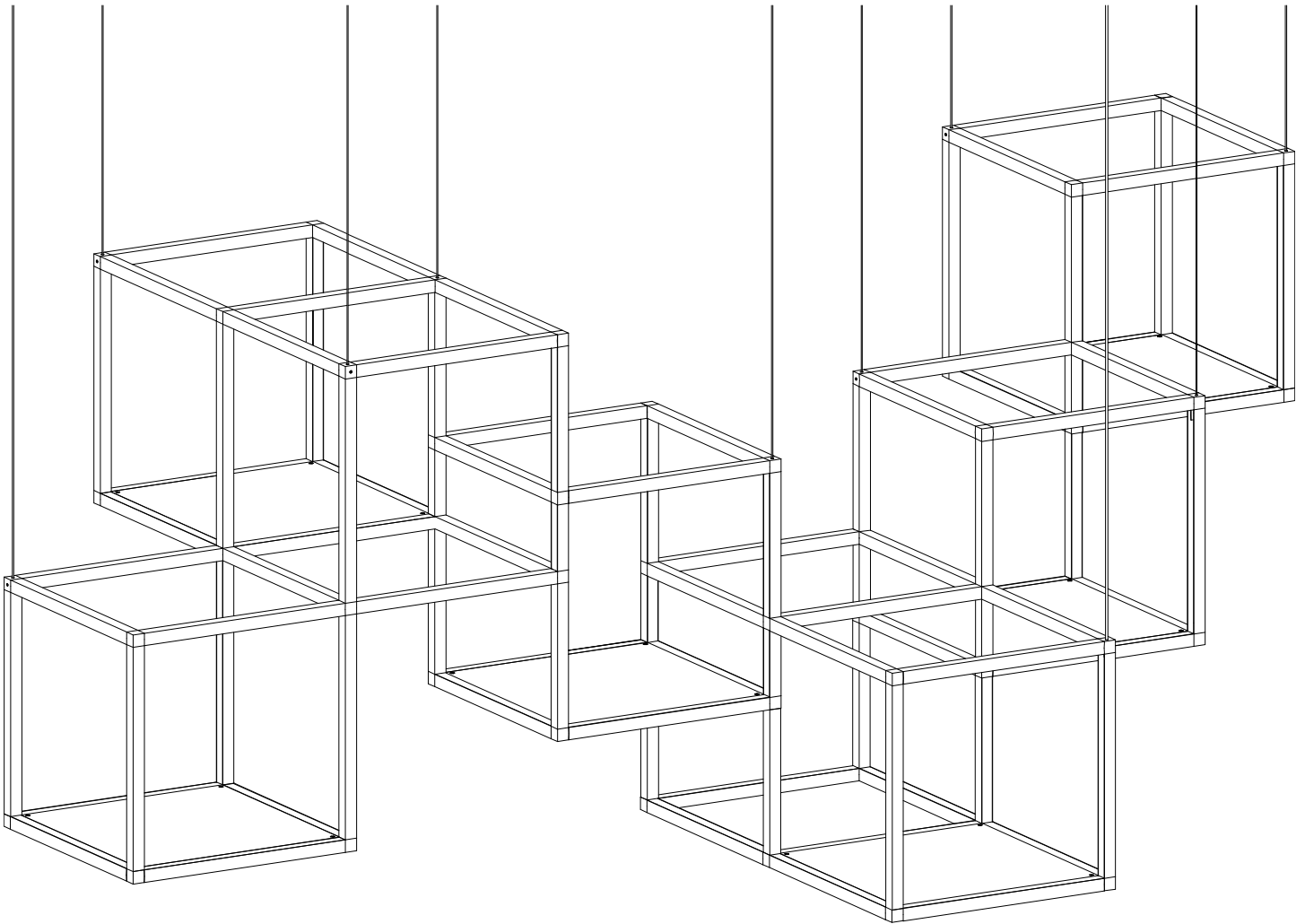


Fig. 2

### 24SKP06 Installation:

1. Shut off power to the Outlet Box.
2. Install the Power Supply in a remote and accessible location near the fixture in accordance with local electrical code. Make appropriate electrical connections using wire nuts:
  - a. Connect the Power Supply's live wire (black) to the live supply wire.
  - b. Connect the Power Supply's neutral wire (white) to the neutral supply wire.
  - c. Connect the Power Supply's ground wire (green or uncoated) to the ground supply wire.
  - d. Connect the Power Supply's positive (+) output wire (red) to the required length of red wire (not included) to reach the Outlet Box.
  - e. Connect the Power Supply's negative (-) output wire (black) to the required length of black wire (not included) to reach the Outlet Box.
3. Install Mounting Plate to Outlet Box using Outlet Box Screws.
 

**NOTE: Do not continue 24SKP06 Installation until completing Component Installation Step 11 on page 17.**
4. Feed Cord from fixture through Bushing of Canopy and tighten Slotted Set Screw with Screwdriver.
5. Make appropriate electrical connections using wire nuts (Appendix A):
  - a. Connect the LED driver's live wire (black) to the live outlet box wire.
  - b. Connect the LED driver's neutral wire (white) to the neutral outlet box wire.
  - c. Connect the canopy's ground wire (green or uncoated) to the ground outlet box wire. If no ground is present in outlet box, connect canopy's ground wire to the mounting plate using the green screw (included).
  - d. Connect the fixture inner conductor to the red driver output wire and connect the fixture outer conductor to the black driver output wire.
  - e. Carefully place connections in Outlet Box.
6. Install Canopy to Mounting Plate by hooking one end to the bend first and then tightening with Canopy Set Screws using the provided Phillips Screwdriver.
7. Continue with Step 11 of Component Installation on page 17.



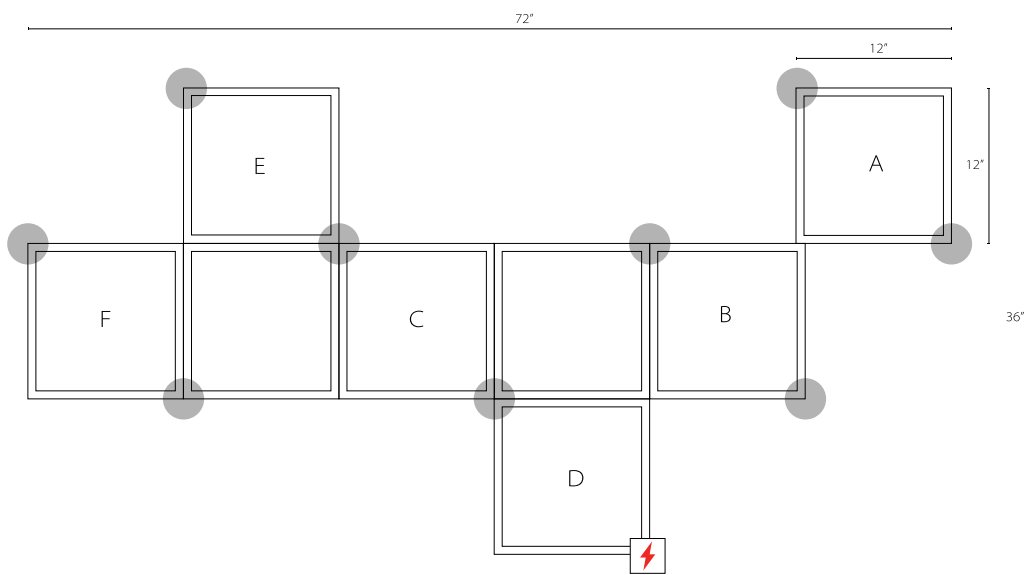
# Cubix™

24Z0002K  
Medium Pendant

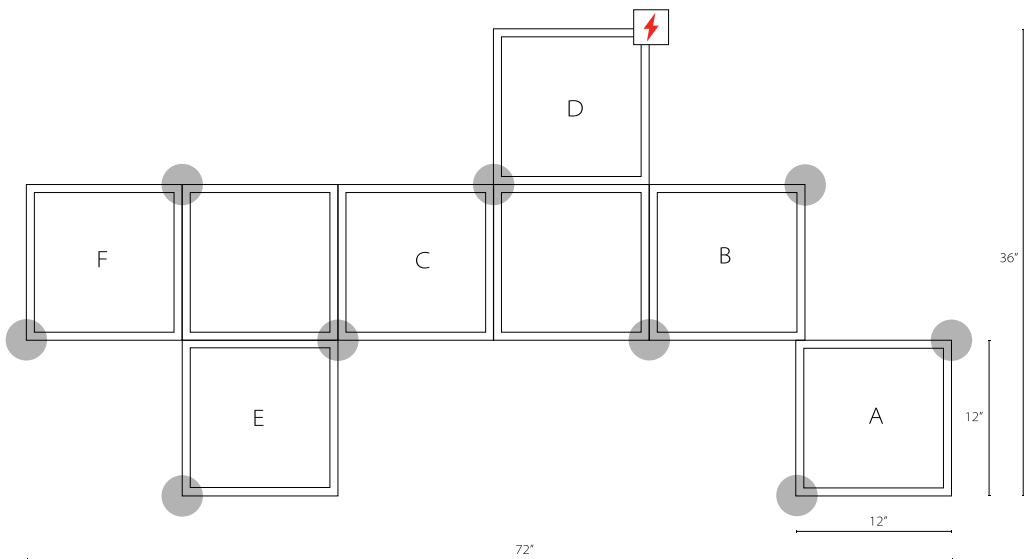
## Installing Cord and Cable drops



Before installing the fixture, follow the full scale printout included, as shown in the diagrams in Fig. 1a and 1b, and install the Mounting Plate and Cable Grippers into the ceiling and outlet box.

View From Above  
Fig. 1a



View From Below  
Fig. 1b



-  Power Cord Drop
-  Cable Drop



## Component Installation *Instructions d'installation*

### 1. First section (24KK1LPAA assembly)

- 1a. Install (3x) 24AK12 and (1x) 24AK08 to 24KK1HFAA using countersunk screws in orientation shown in Fig. 3a and 3b. This is how you will install all countersunk screws for the rest of the assembly.

**NOTE: Pay close attention to arm orientation, as it will affect wiring in later stages.**

- 1b. Install 24KK1LPAA to other end of Vertical Arms in orientation shown in Fig. 3a. Install 24AK04 to open corner of 24KK1LPAA.
- 1c. Install 24SKC06 into hanging corners and tighten set screw with included Slotted Screwdriver (Fig. 3c). This is how you will install all 24SKC06 for the rest of the assembly.
- 1d. Section as part of whole assembly shown in Fig. 3d.

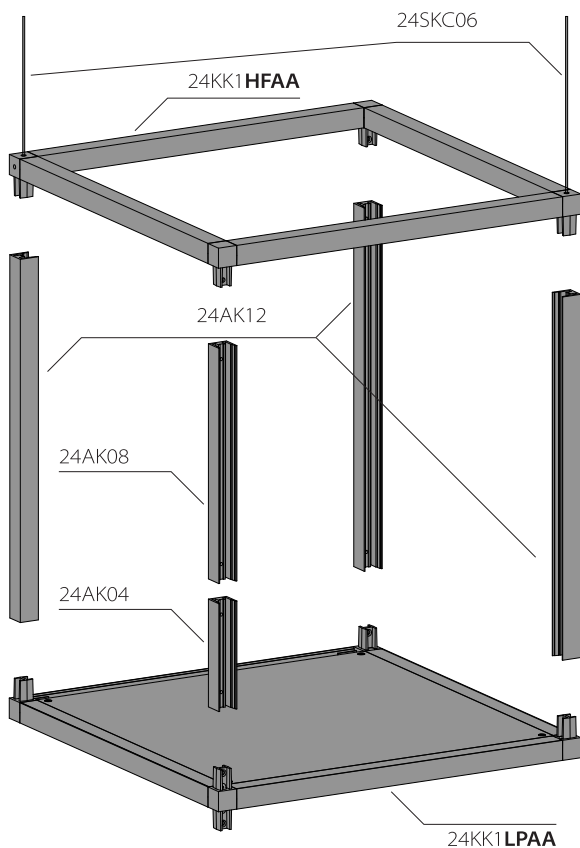


Fig. 3a

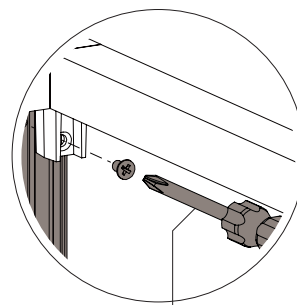


Fig. 3b

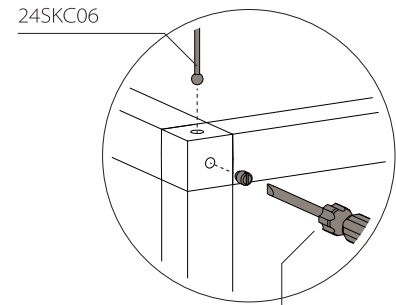


Fig. 3c

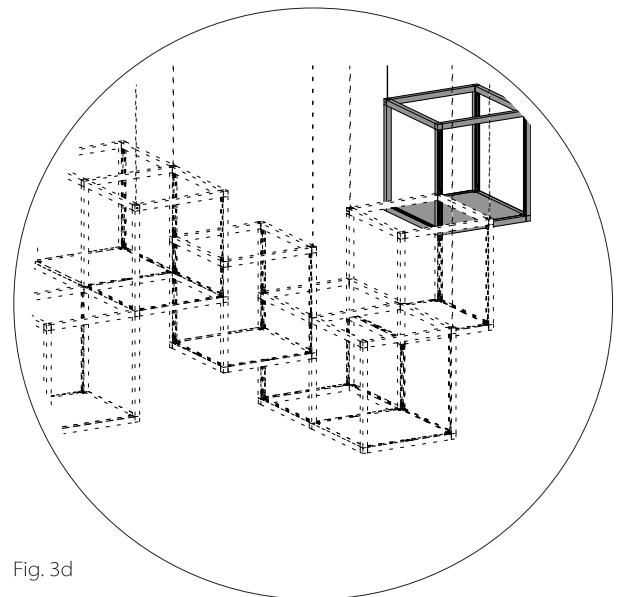


Fig. 3d

**Component Installation**  
***Instructions d'installation***

**2. Second section**

- 2a. Install 24KK1HFBA to 24KK1LPAA assembly as shown in Fig. 4a. Install 24SKC06 to hanging corners and tighten set screw with included Slotted Screwdriver.
- 2b. Using the cord and cable drop installation diagram on page 4, suspend assembled components with Cable Grippers (not shown).
- 2c. Section as part of whole assembly shown in Fig. 4b.

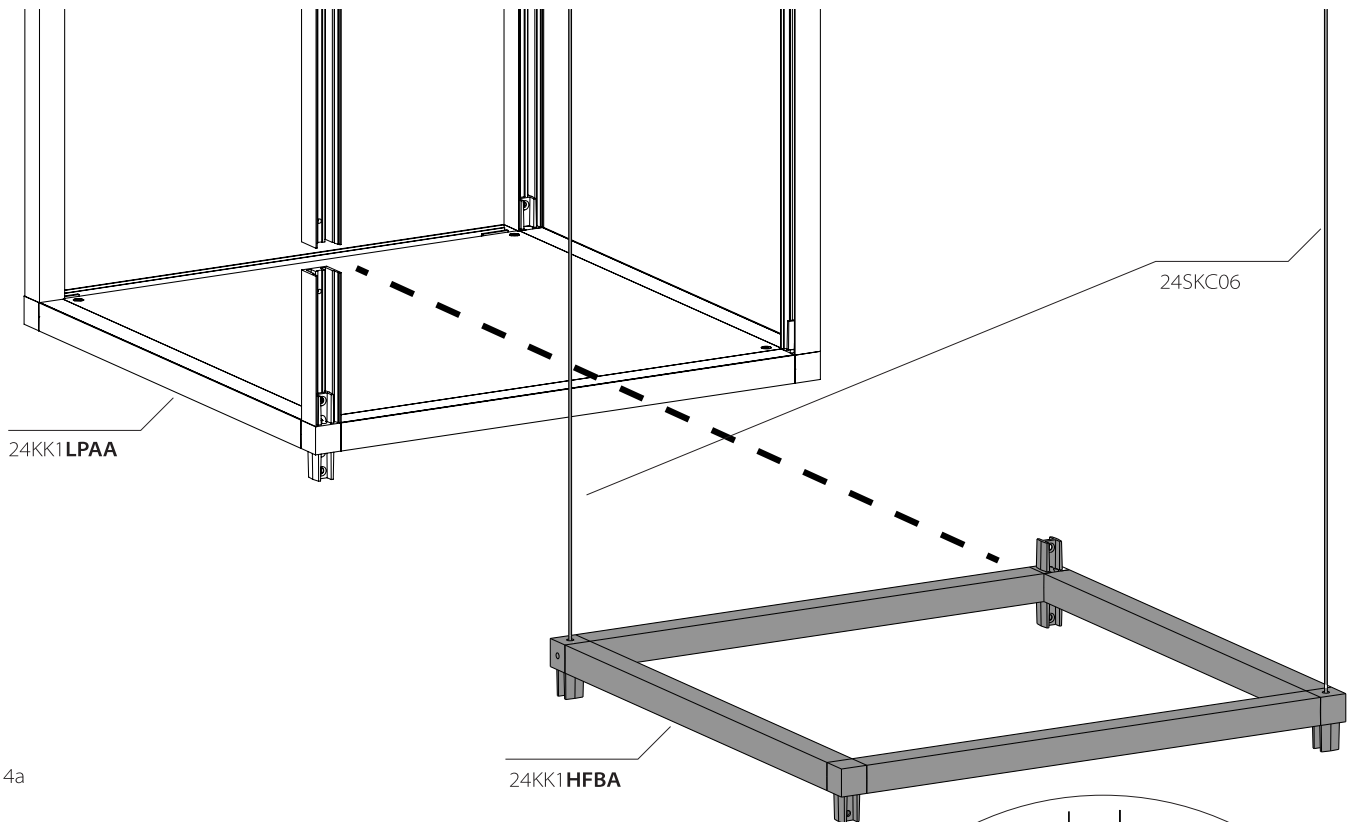


Fig. 4a

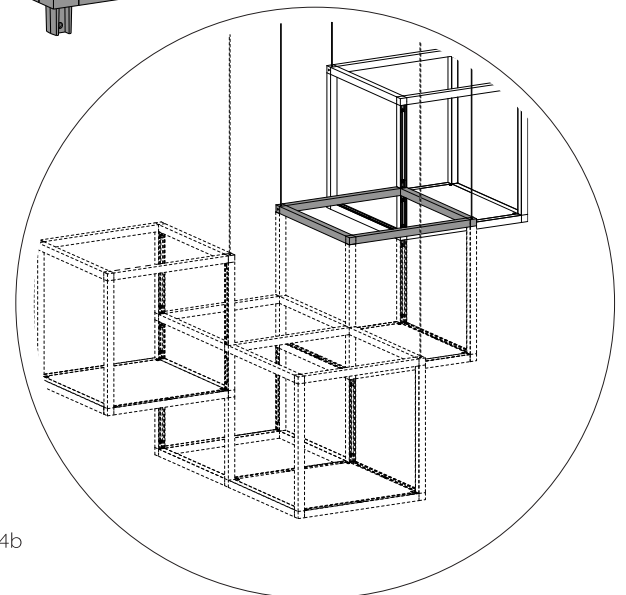


Fig. 4b

## Component Installation *Instructions d'installation*

### 3. Third section (24K1LPBA assembly)

- 3a. Install 24KK1VFAA, (1x) 24AK12, and (1x) 24AK08 to 24KK1LPBA in the orientation shown and install assembled 24KK1LPBA to 24KK1LPAA assembly as shown in Fig. 5a.

**NOTE: Pay close attention to arm orientation, as it will affect wiring in later stages.**

- 3b. Section as part of whole assembly shown in Fig. 5b.

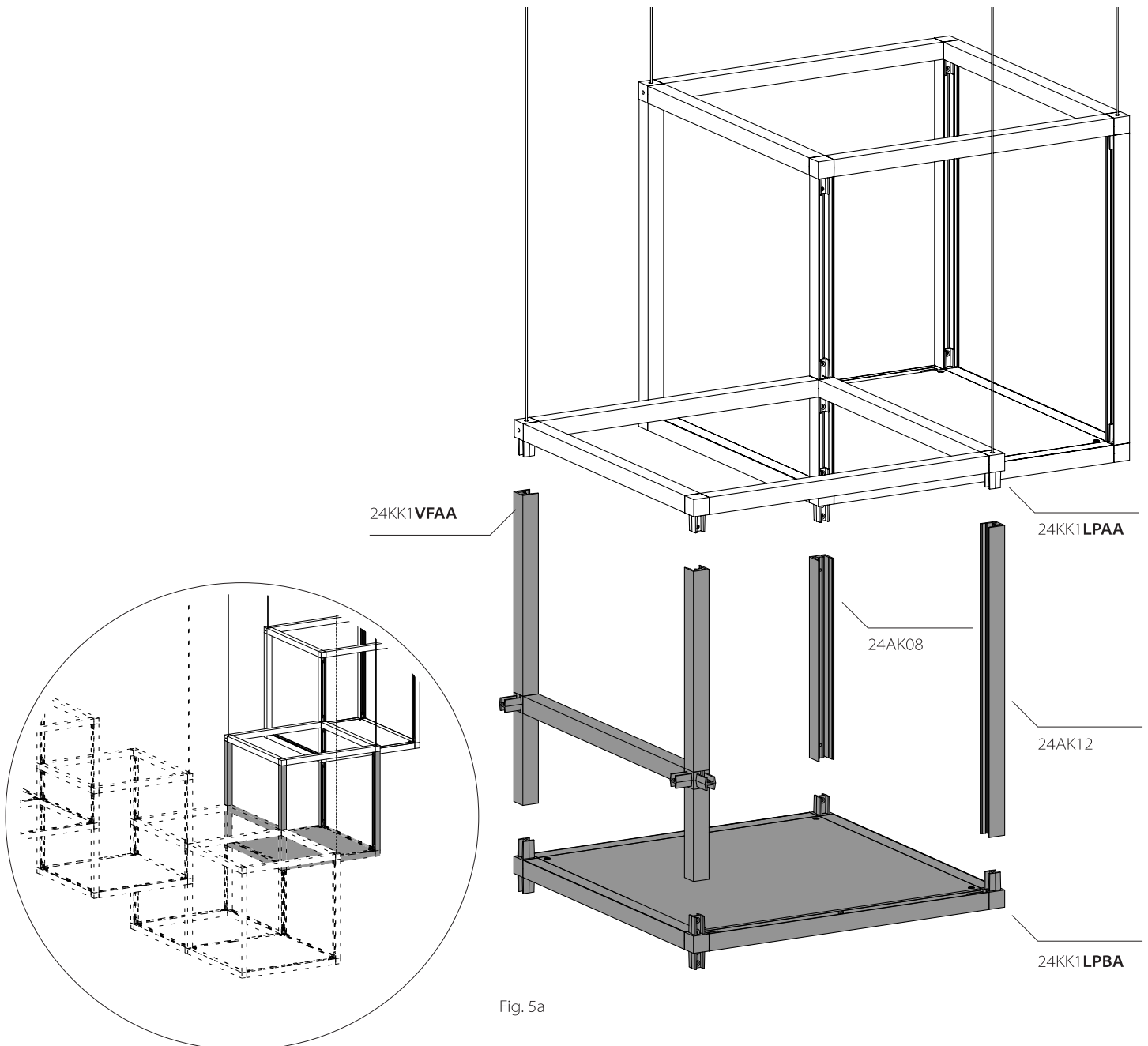


Fig. 5a

Fig. 5b

## Component Installation *Instructions d'installation*

### 4. Fourth section (24KK1LPEA assembly)

4a. Install (4x) 24AK12 and 24KK1VFCA to 24KK1LPEA in the orientation shown in Fig. 6a.

**NOTE: Pay close attention to arm orientation, as it will affect wiring in later stages.**

4b. Install 24KK1HFEA to the top of arms and 24KK1VFCA in the orientation shown in Fig. 6a. Install 24SKC06 to hanging connectors and tighten set screws with included Slotted Screwdriver.

4c. Section as part of whole assembly shown in Fig. 6b.

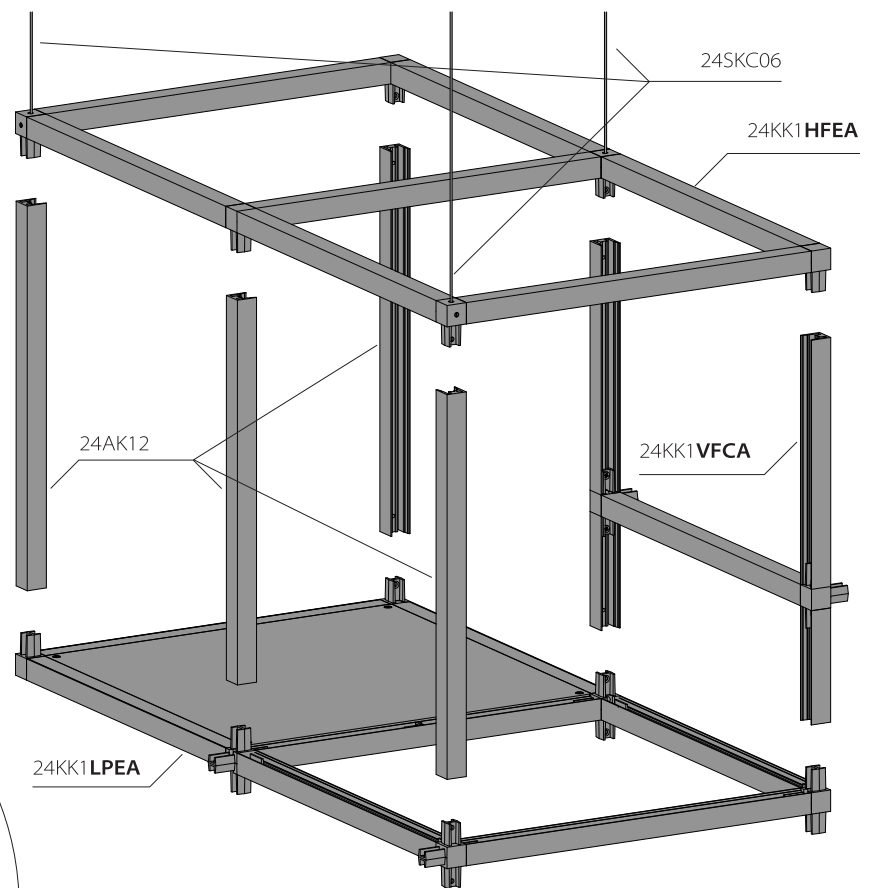


Fig. 6a

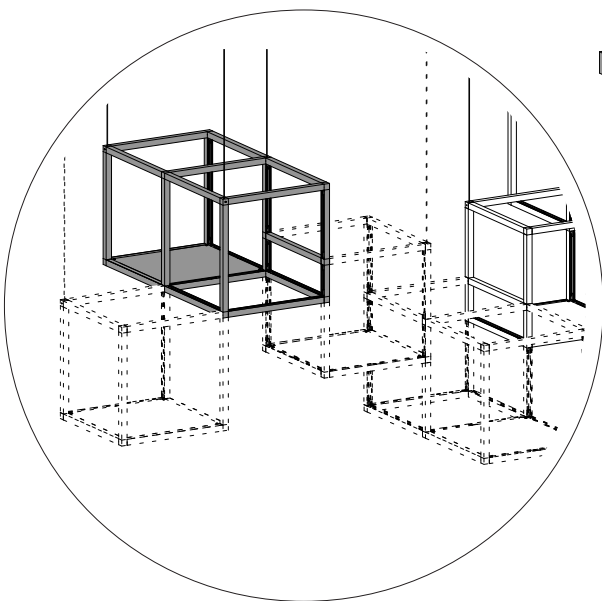


Fig. 6b

## Component Installation *Instructions d'installation*

### 5. Fifth section

- 5a. Install 24KK1HFCA to 24KK1LPEA assembly as shown in Fig. 7a. Install 24SKC06 to hanging corner and tighten set screw with included Slotted Screwdriver.
- 5b. Using the cord and cable drop installation diagram on page 4, suspend assembled components with Cable Grippers (not shown).
- 5c. Section as part of whole assembly shown in Fig. 7b.

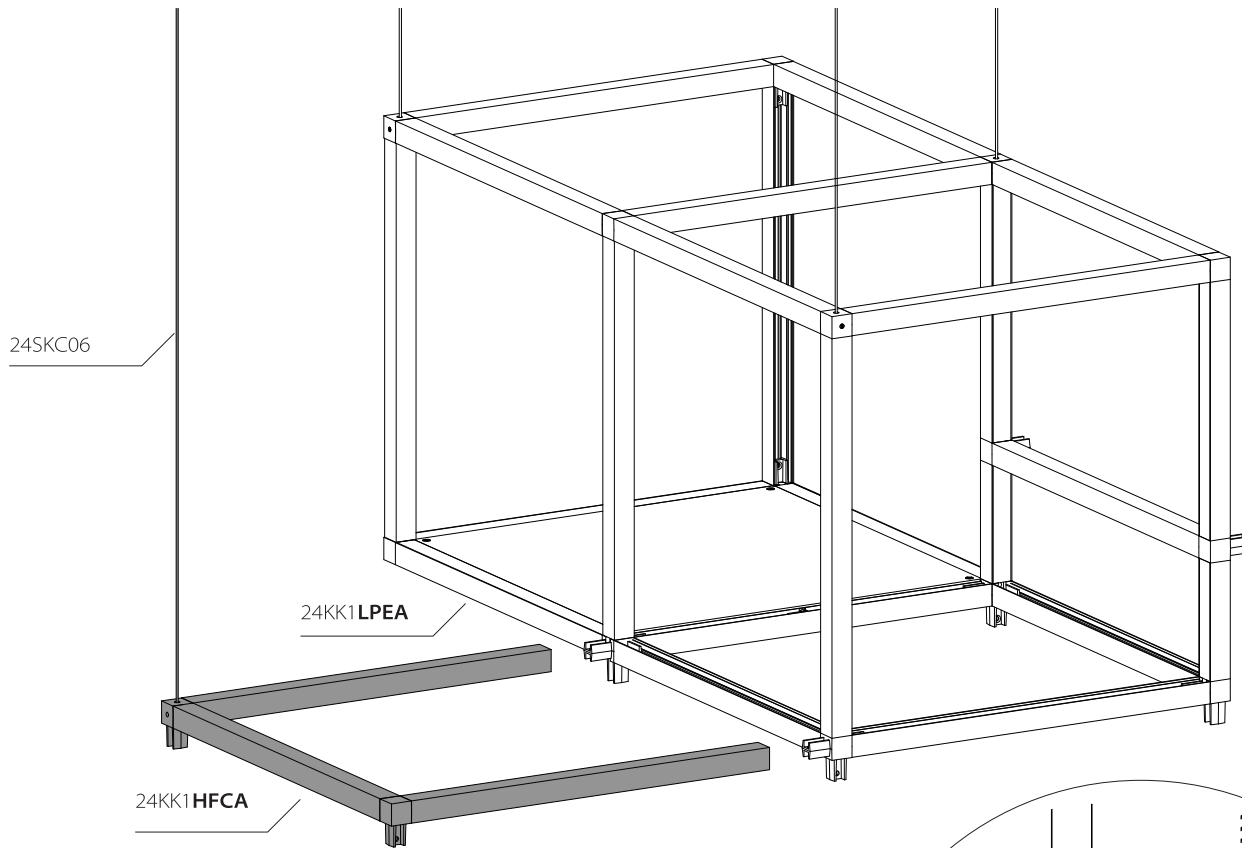


Fig. 7a

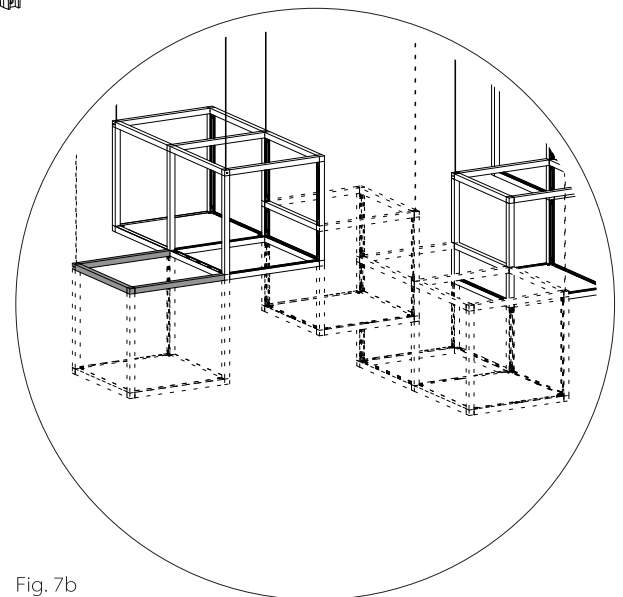


Fig. 7b

## Component Installation *Instructions d'installation*

### 6. Sixth section (24KK1LPFA assembly)

- 6a. Install (4x) 24AK12 to 24KK1LPFA and install to 24KK1HFCA assembly in the orientation shown in Fig. 8a.

**NOTE: Pay close attention to arm orientation, as it will affect wiring in later stages.**

- 6b. Section as part of whole assembly shown in Fig. 8b.

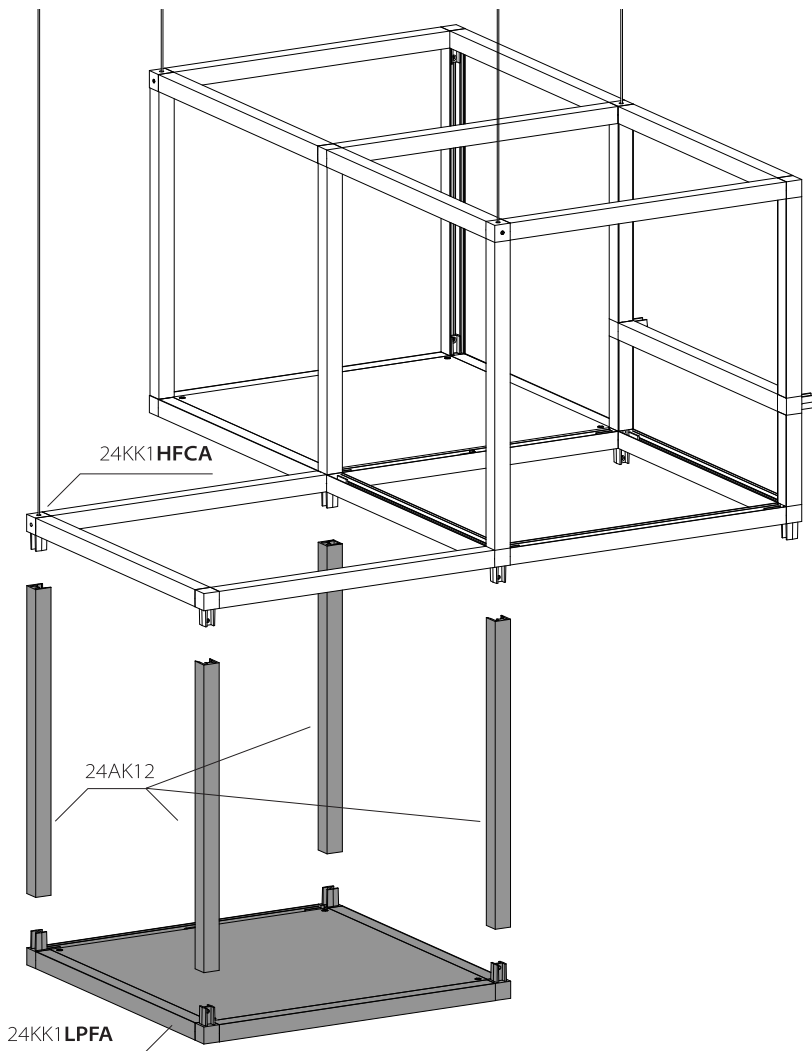


Fig. 8a

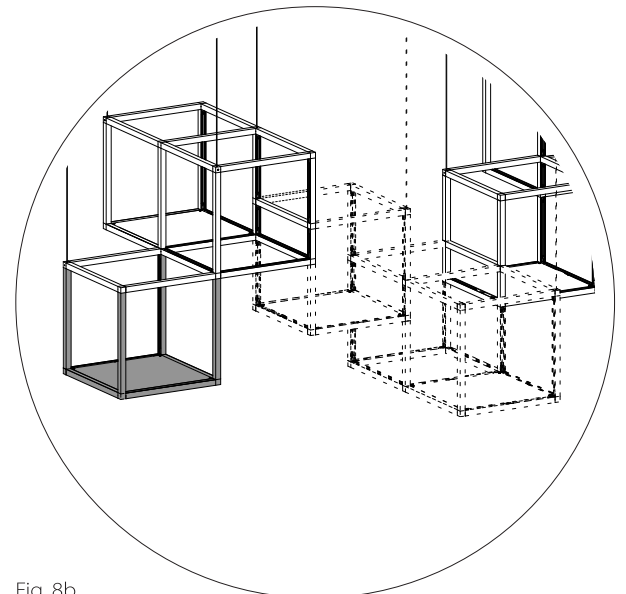


Fig. 8b

## Component Installation *Instructions d'installation*

### 7. Seventh section (24KK1HFCA assembly)

- 7a. Install 24KK1HFCA to 24KK1VFCA in orientation shown in Fig. 9a. Install 24SKC06 to hanging corner and tighten set screw with included Slotted Screwdriver.
- 7b. Using the cord and cable drop installation diagram on page 4, suspend assembled components with Cable Grippers (not shown).
- 7c. Section as part of whole assembly shown in Fig. 9b.

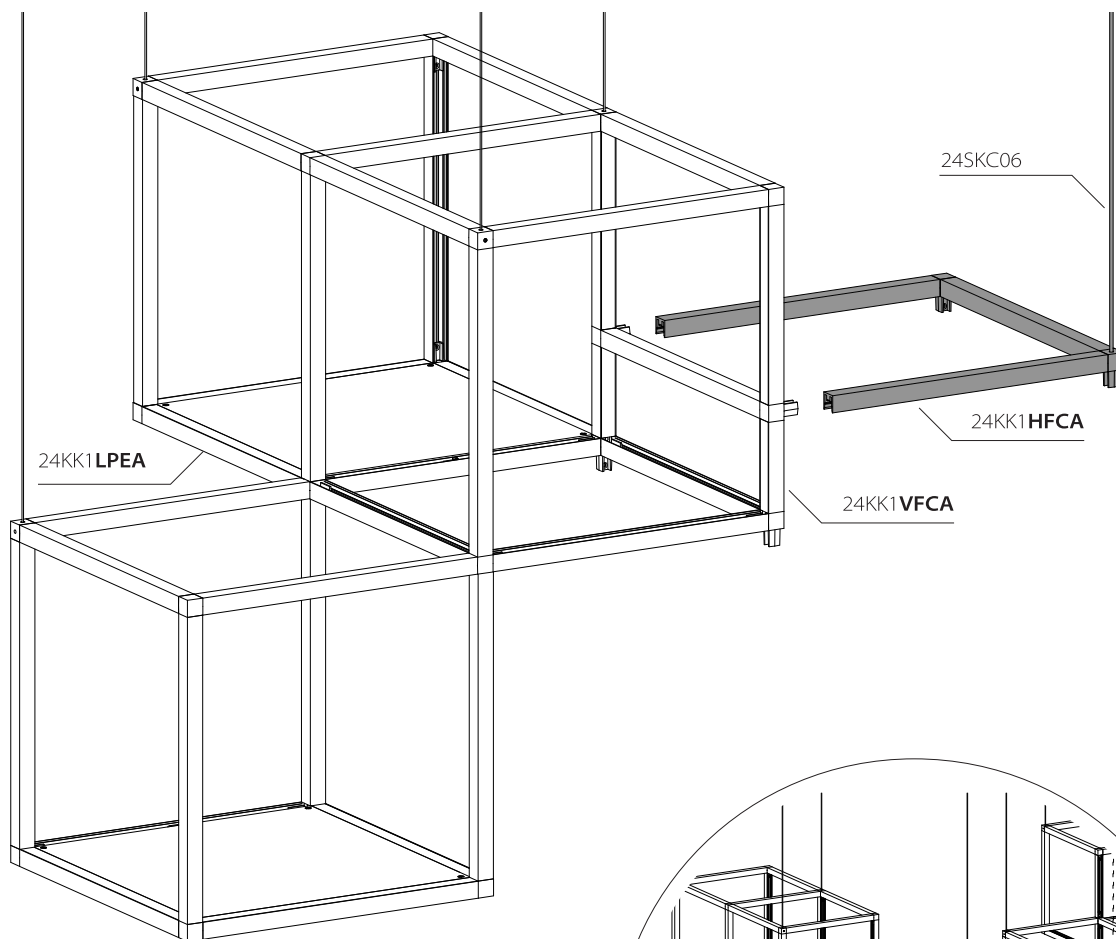


Fig. 9a

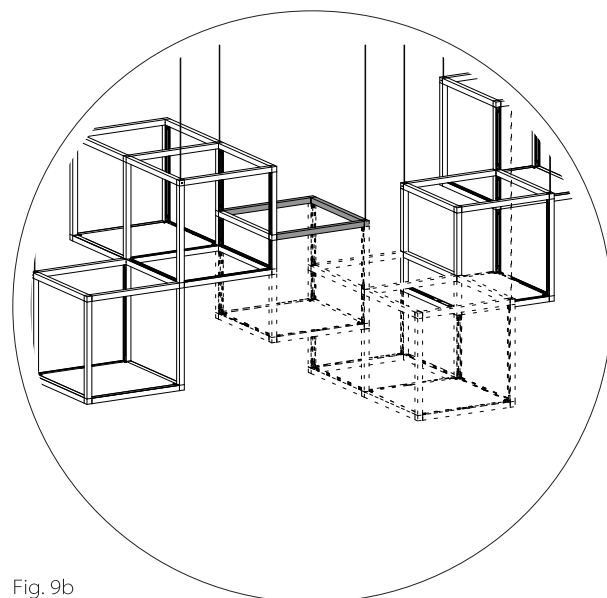


Fig. 9b

## Component Installation *Instructions d'installation*

### 8. Eighth section (24KK1LPCA assembly)

8a. Install (2x) 24AK08 and 24KK1VFBA to 24KK1LPCA in the orientation shown in Fig. 10a.

**NOTE: Pay close attention to arm orientation, as it will affect wiring in later stages.**

8b. Install 24KK1LPCA assembly to 24KK1HFCA assembly.

8c. Section as part of whole assembly shown in Fig. 10b.

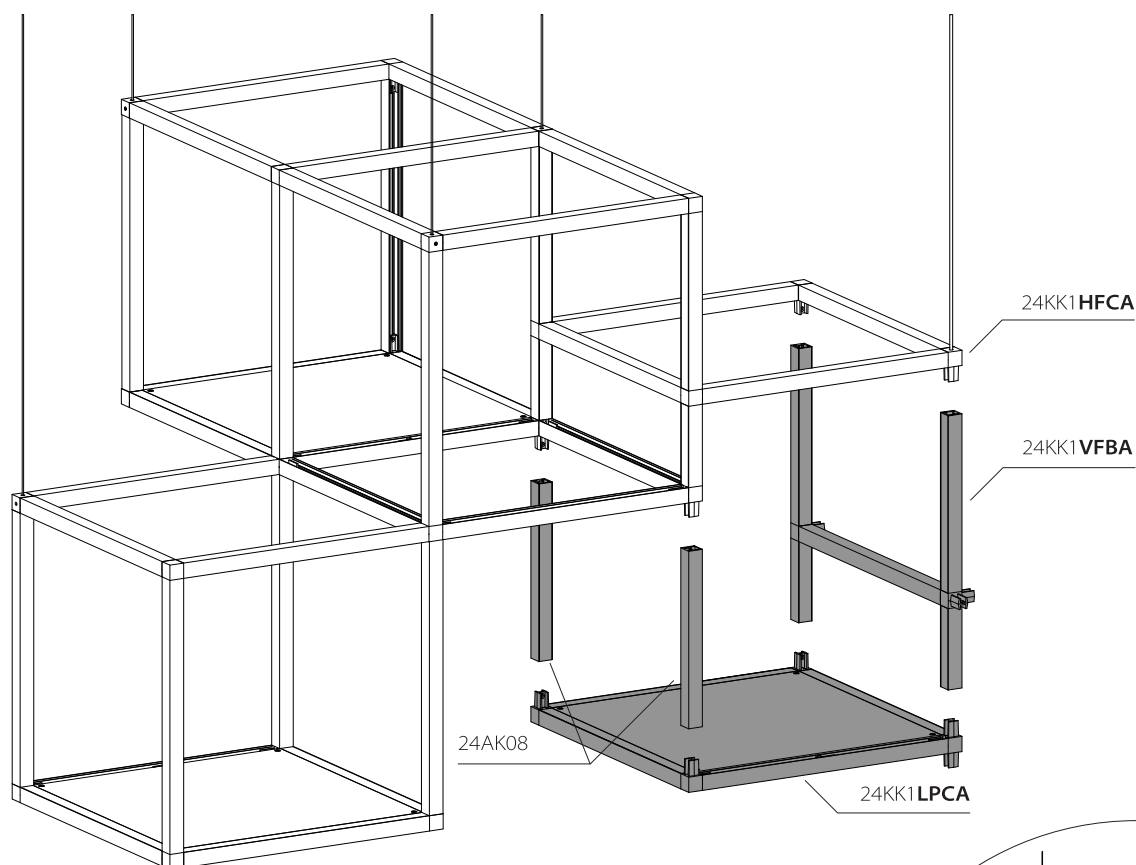


Fig. 10a

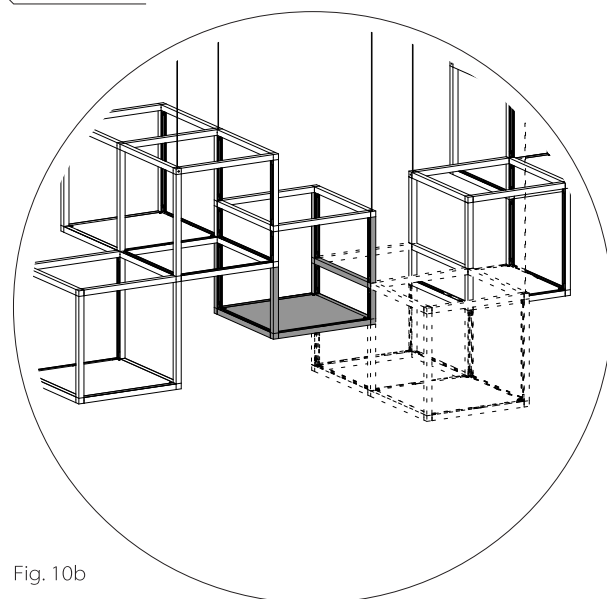


Fig. 10b



## Component Installation *Instructions d'installation*

### 9. Ninth section

- 9a. Install (2x) 24AK12 in the orientation shown in Fig. 11a to connect the two assemblies together.

**NOTE: Pay close attention to arm orientation, as it will affect wiring in later stages.**

- 9b. Section as part of whole assembly shown in Fig. 11b.

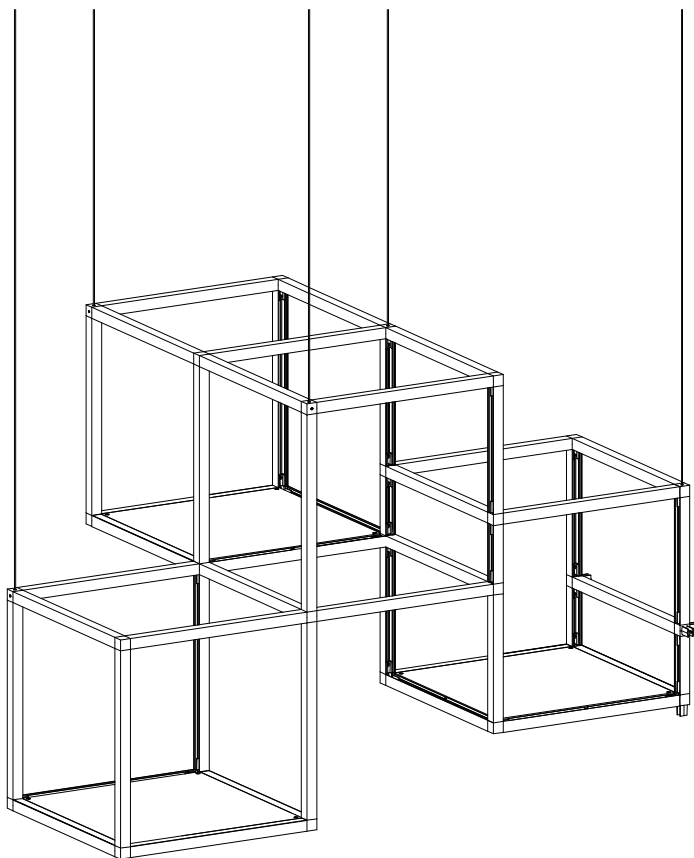


Fig. 11a

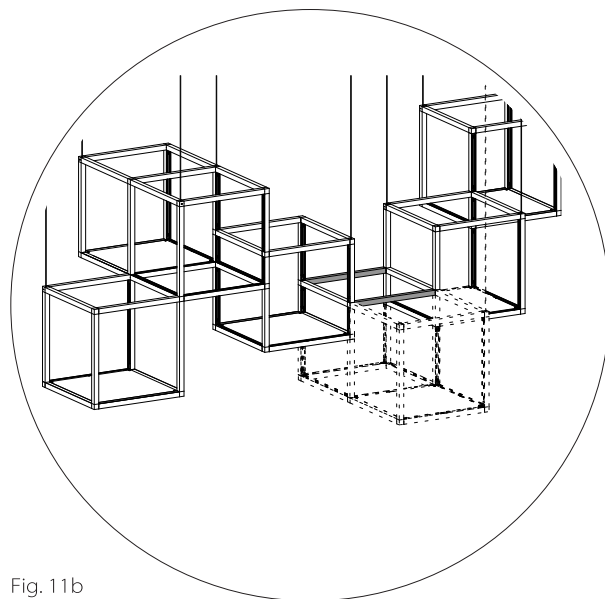
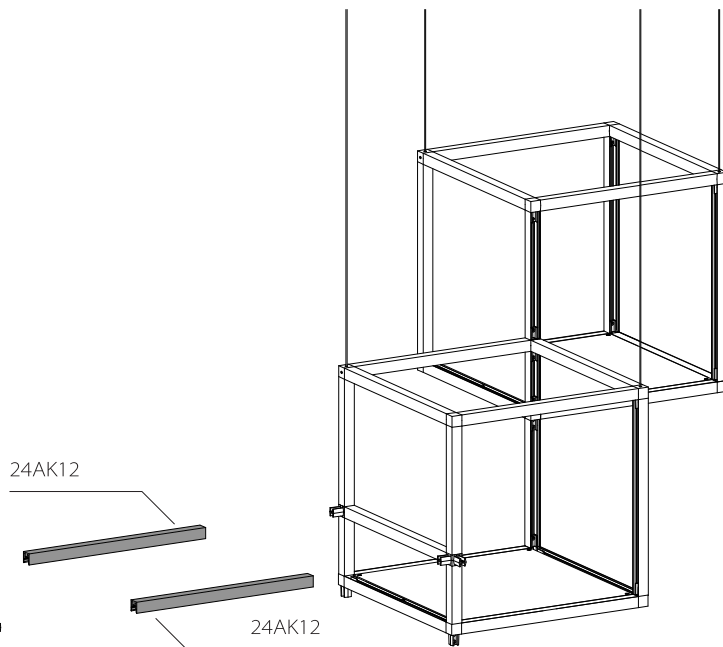


Fig. 11b

## Component Installation *Instructions d'installation*

### 10. Tenth section

10a. Install 24KK1 HFDA to combined assemblies as shown in Fig. 12.

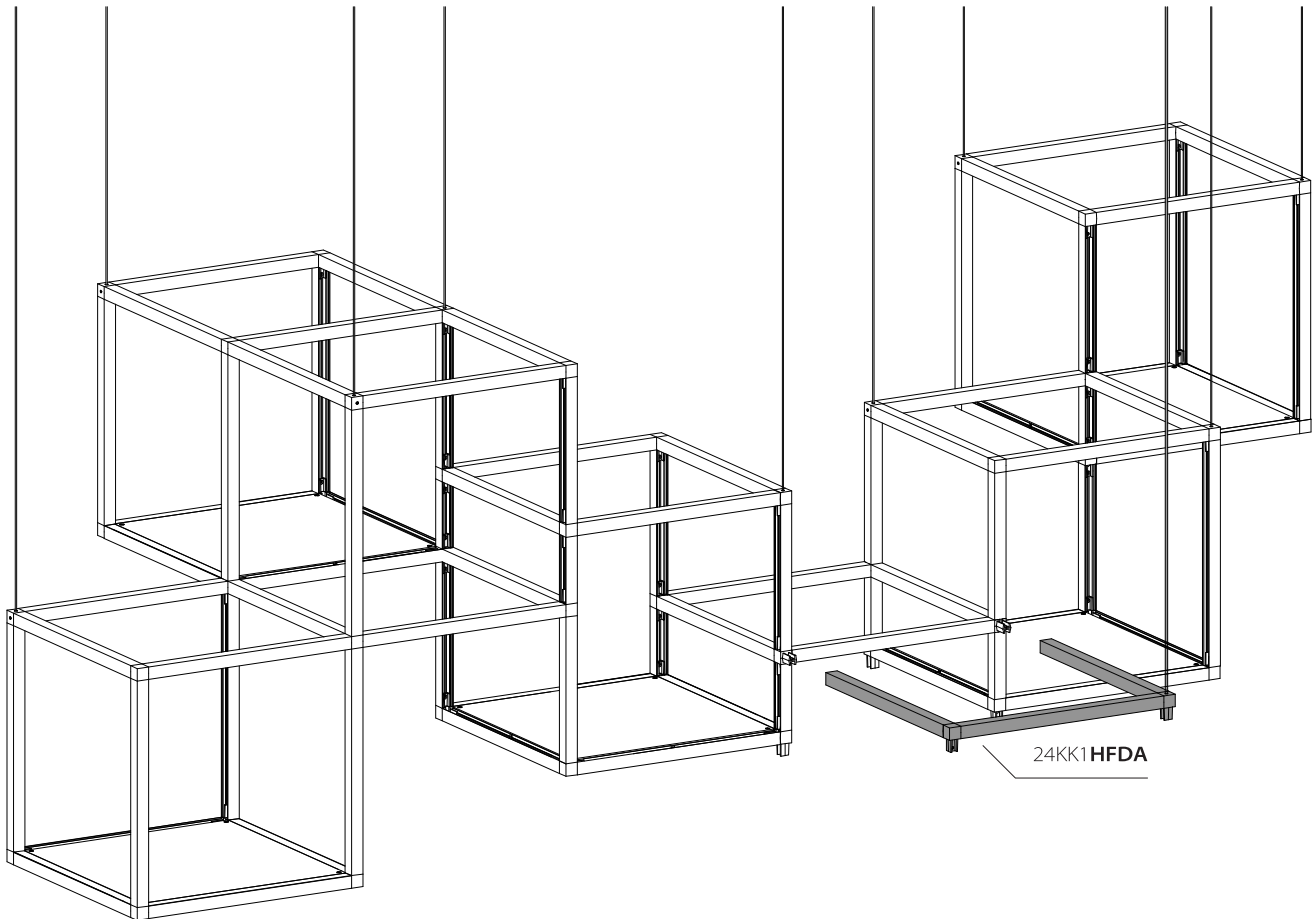


Fig. 12

## Component Installation *Instructions d'installation*

### 11. Eleventh section

11a. Install (2x) 24AK12 and (4x) 24AK08 to 24KK1LPDA in the orientation shown in Fig. 13a.

**NOTE: Pay close attention to arm orientation, as it will affect wiring in later stages.**

11b. Install 24KK1LPDA assembly to the main assembly in the orientation shown in Fig. 13a.

11c. Install 24SKP06 from 24KK1LPDA through arms and hanging connector and proceed with Canopy Installation Instructions Step 4.

11d. Using Appendix B for reference, install all connecting wires through arms to panels (additional wire not included).

11e. Using a team of 2 or more people, adjust height of fixture so that it is balanced.

11f. Install all Arm Caps as shown in Fig. 13b and restore power to Outlet Box.

**Note: When installing Arm Caps, make sure wires are not being pinched.**

Fig. 13a

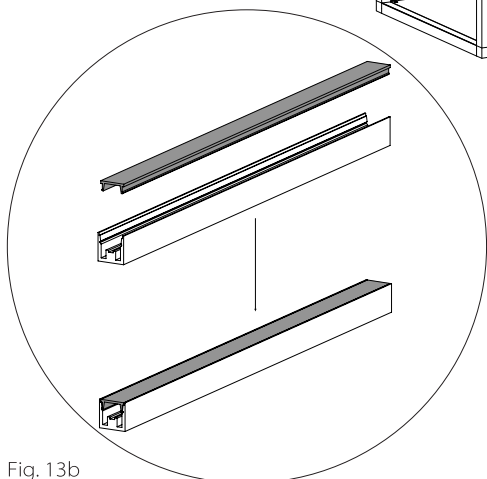
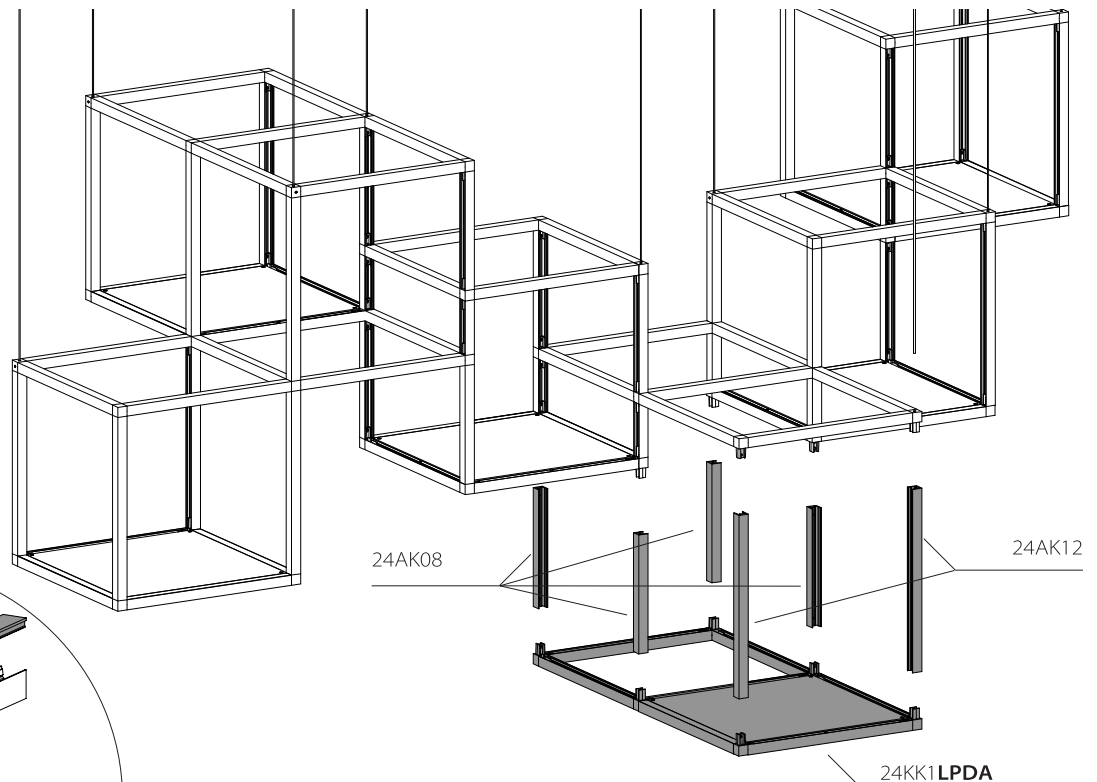
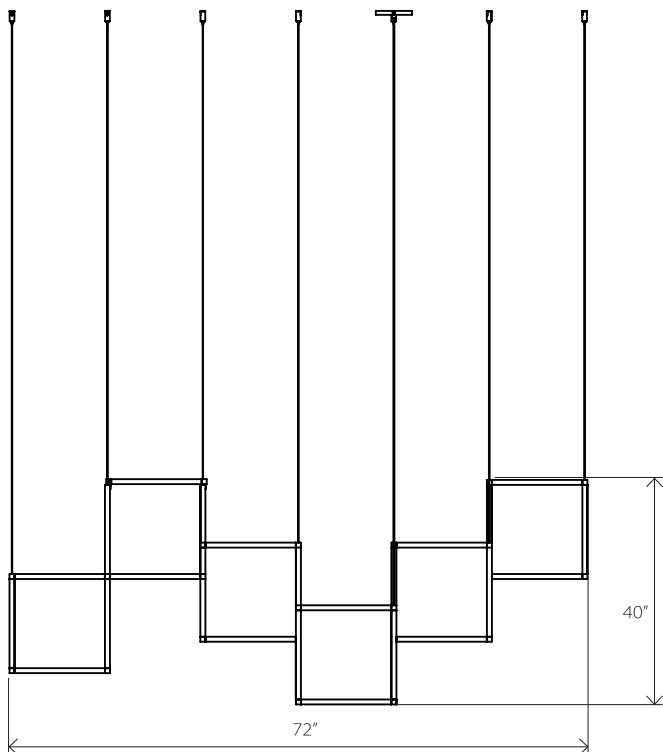


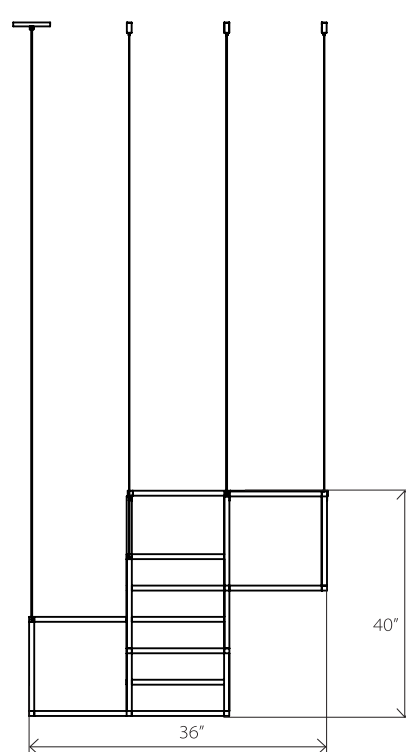
Fig. 13b

## Completed assembly

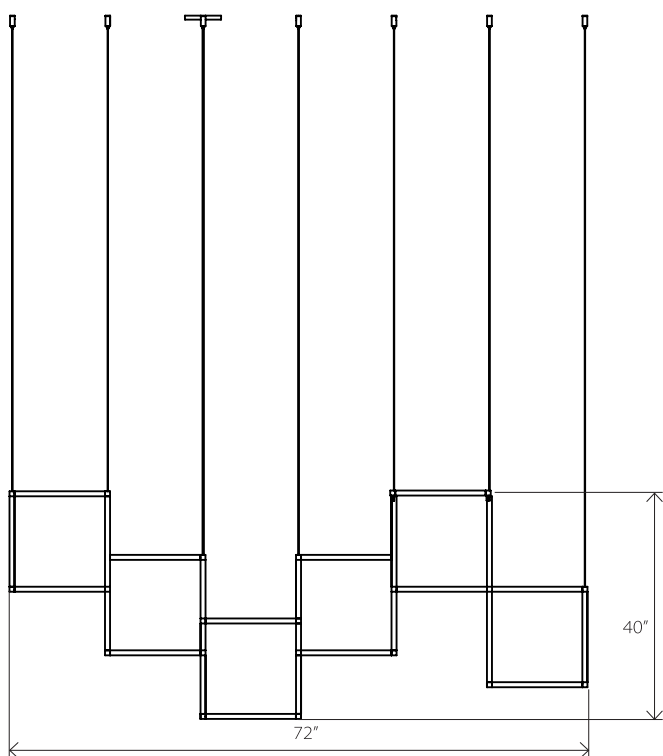
Finished Front View



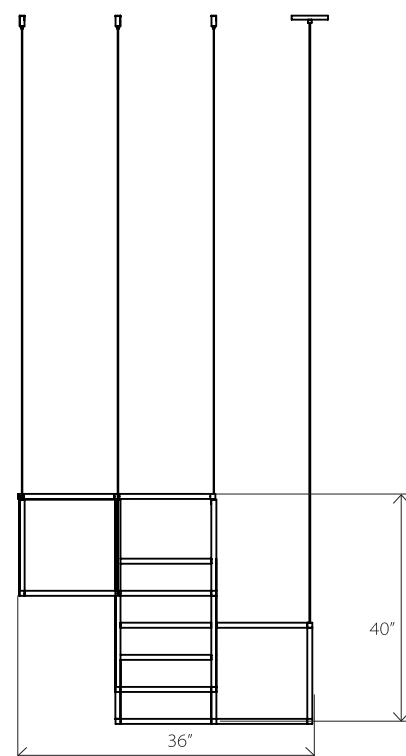
Finished Right Side View



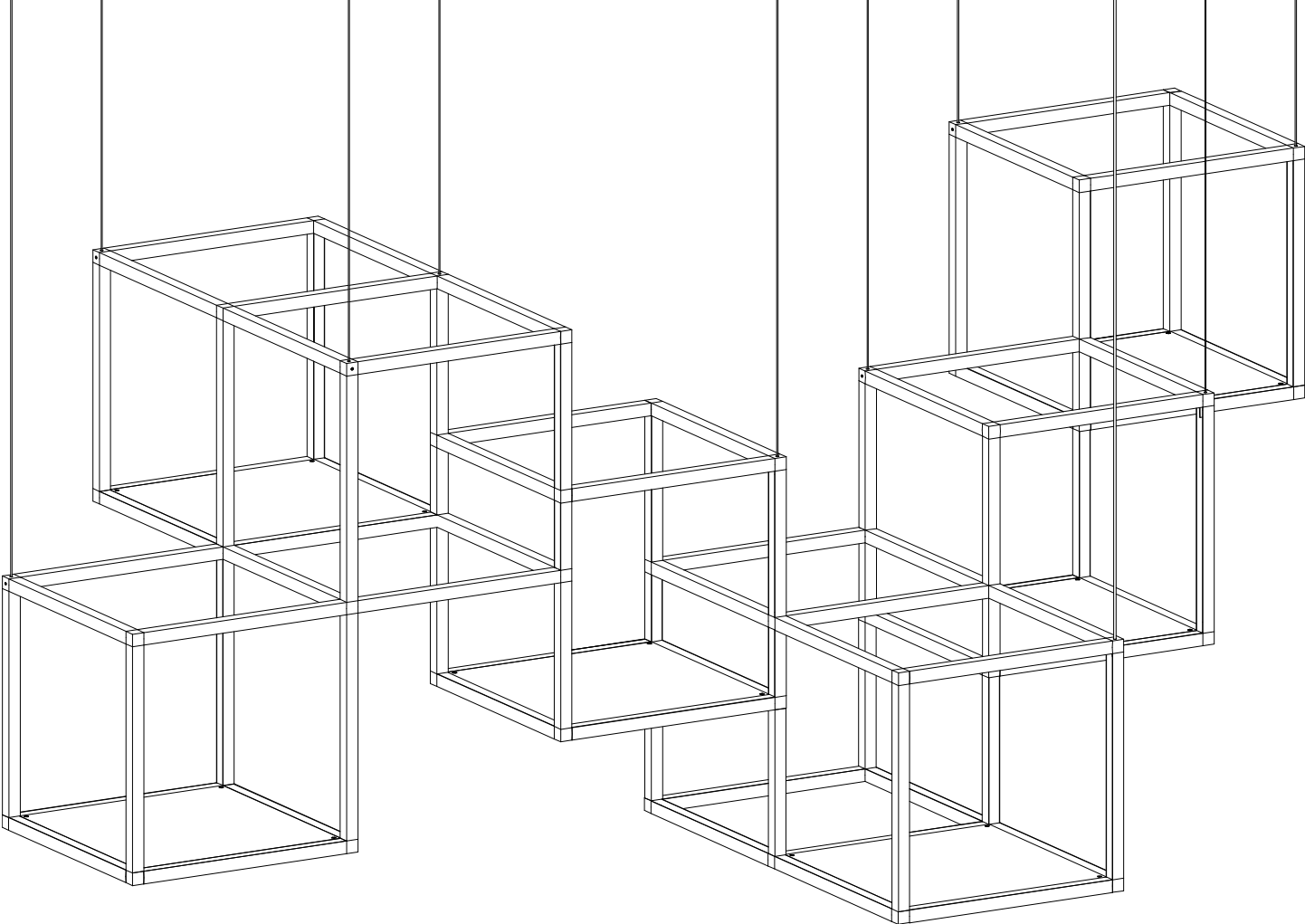
Finished Back View

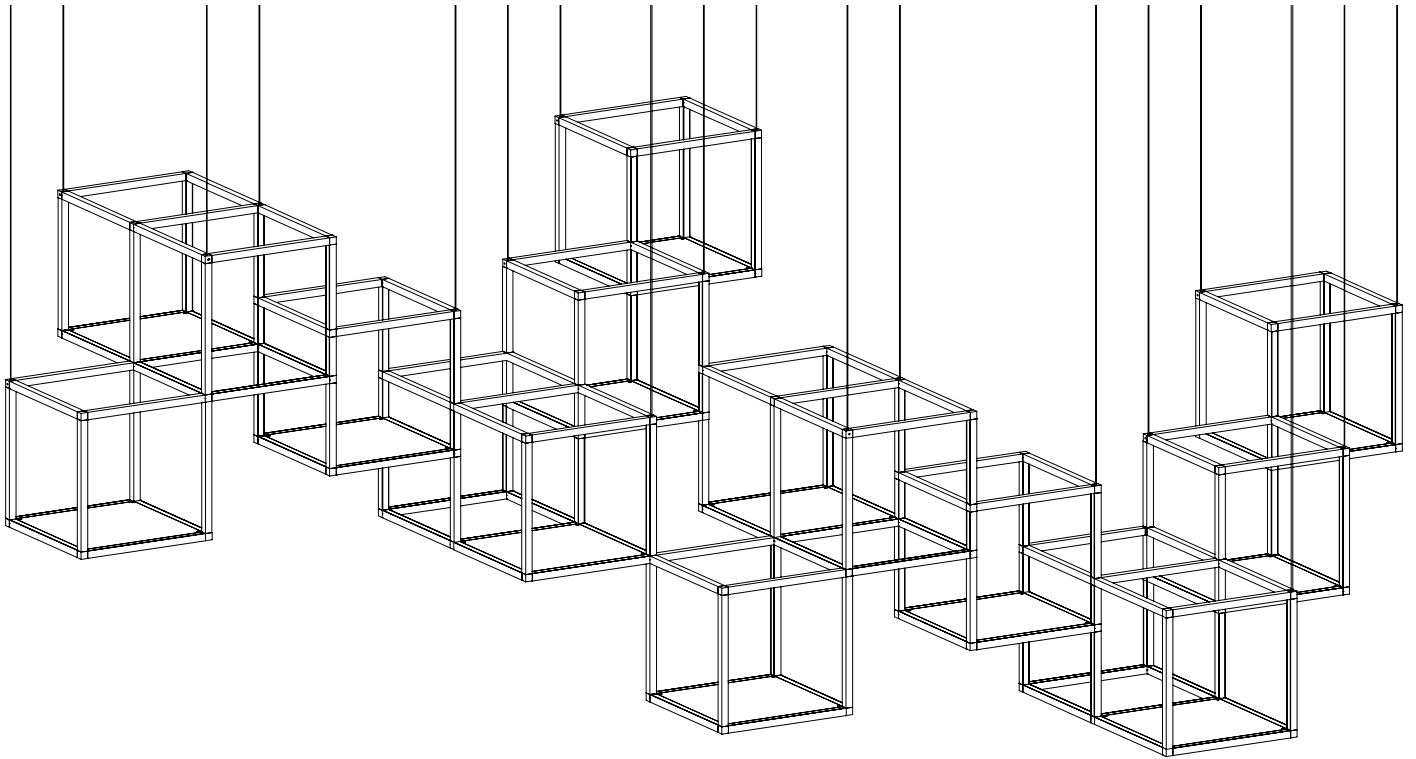


Finished Left Side View



Completed assembly



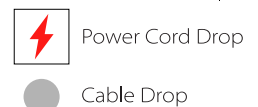
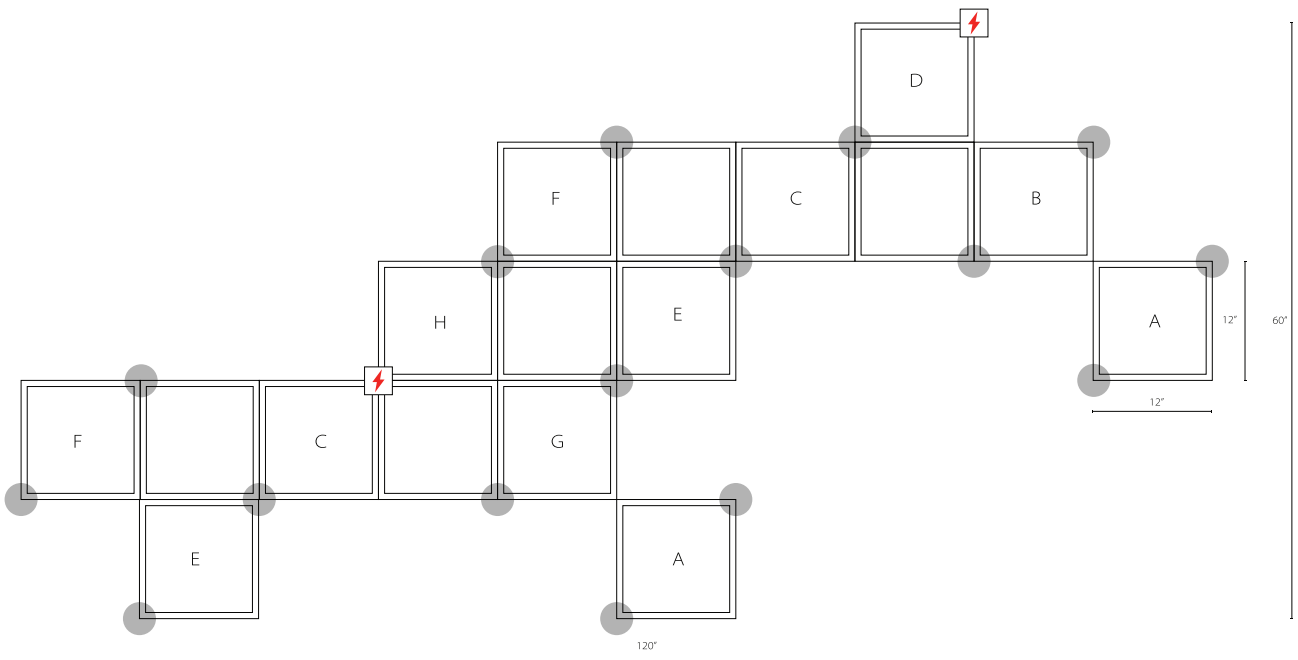
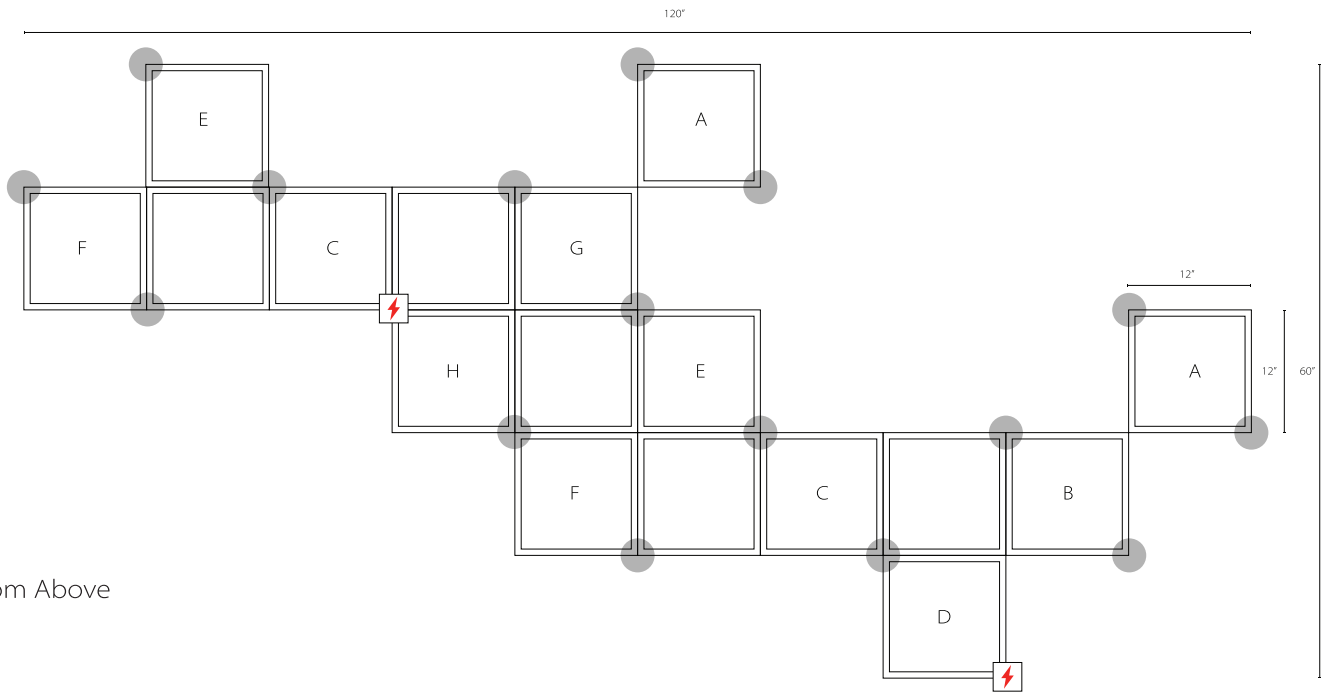


# Cubix™

**24Z0003K**  
Large Pendant

## Installing Cord and Cable drops

Before installing the fixture, follow the full scale printout included, as shown in the diagrams in Fig. 1a and 1b, and install the Mounting Plates and Cable Grippers into the ceiling and outlet box.



## Component Installation *Instructions d'installation*

### 12. First section (24K1LPAA assembly)

12a. Install (3x) 24AK12 and (1x) 24AK08 to 24KK1HFAA using countersunk screws and provided Phillips Screwdriver in orientation shown in Fig. 3a and 3b.

This is how you will install all countersunk screws for the rest of the assembly.

**NOTE: Pay close attention to arm orientation, as it will affect wiring in later stages.**

12b. Install 24KK1LPAA to other end of Vertical Arms in orientation shown in Fig. 3a. Install 24AK04 to open corner of 24KK1LPAA.

12c. Install 24SKC06 into hanging corners and tighten set screw with provided Slotted Screwdriver (Fig. 3c).

This is how you will install all 24SKC06 for the rest of the assembly.

12d. Section as part of whole assembly shown in Fig. 3d.

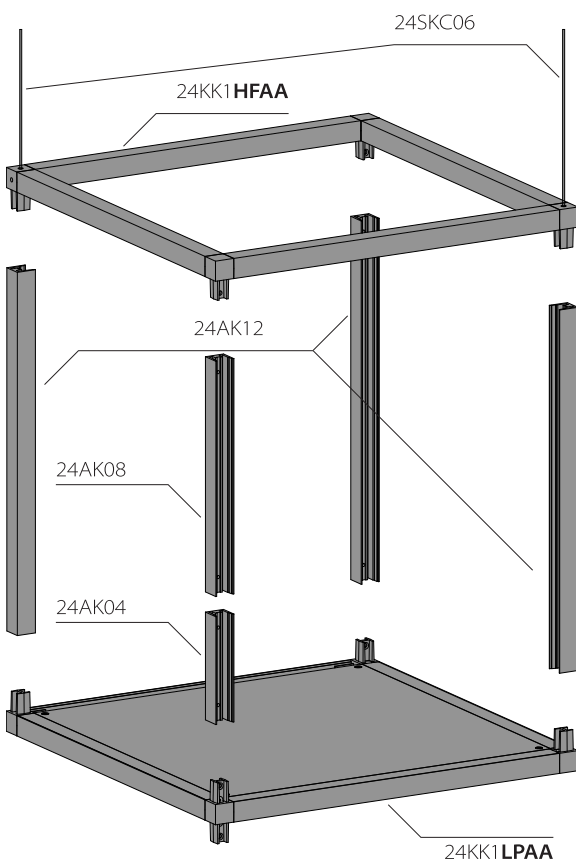


Fig. 3a

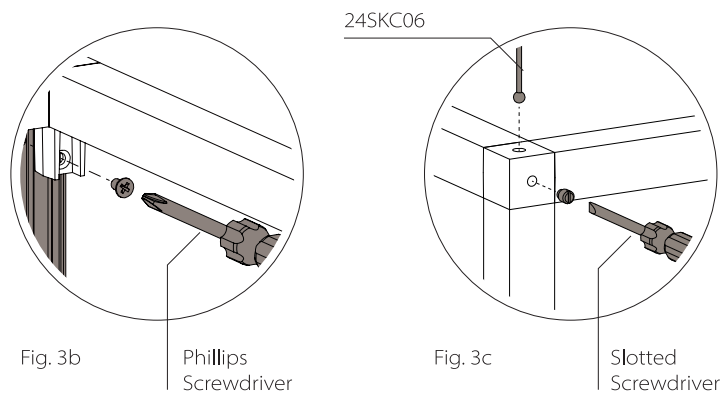


Fig. 3b

Phillips  
Screwdriver

Fig. 3c

Slotted  
Screwdriver

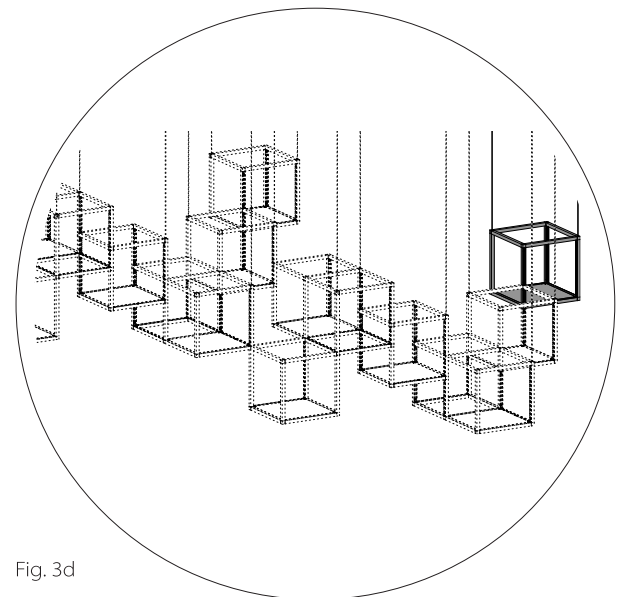


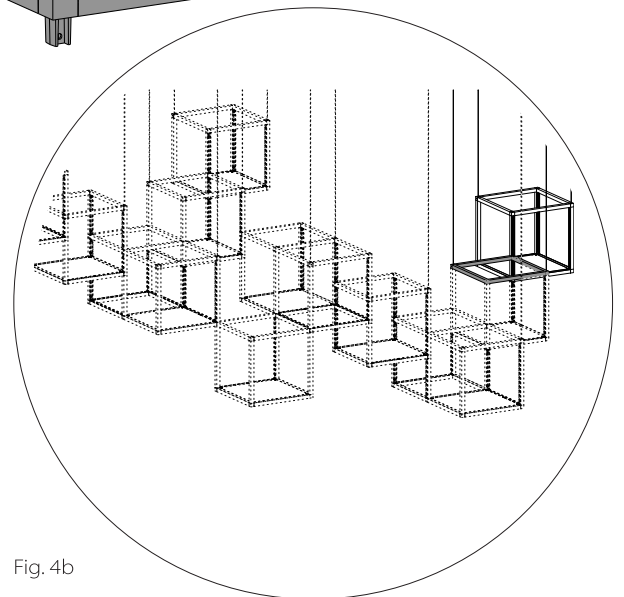
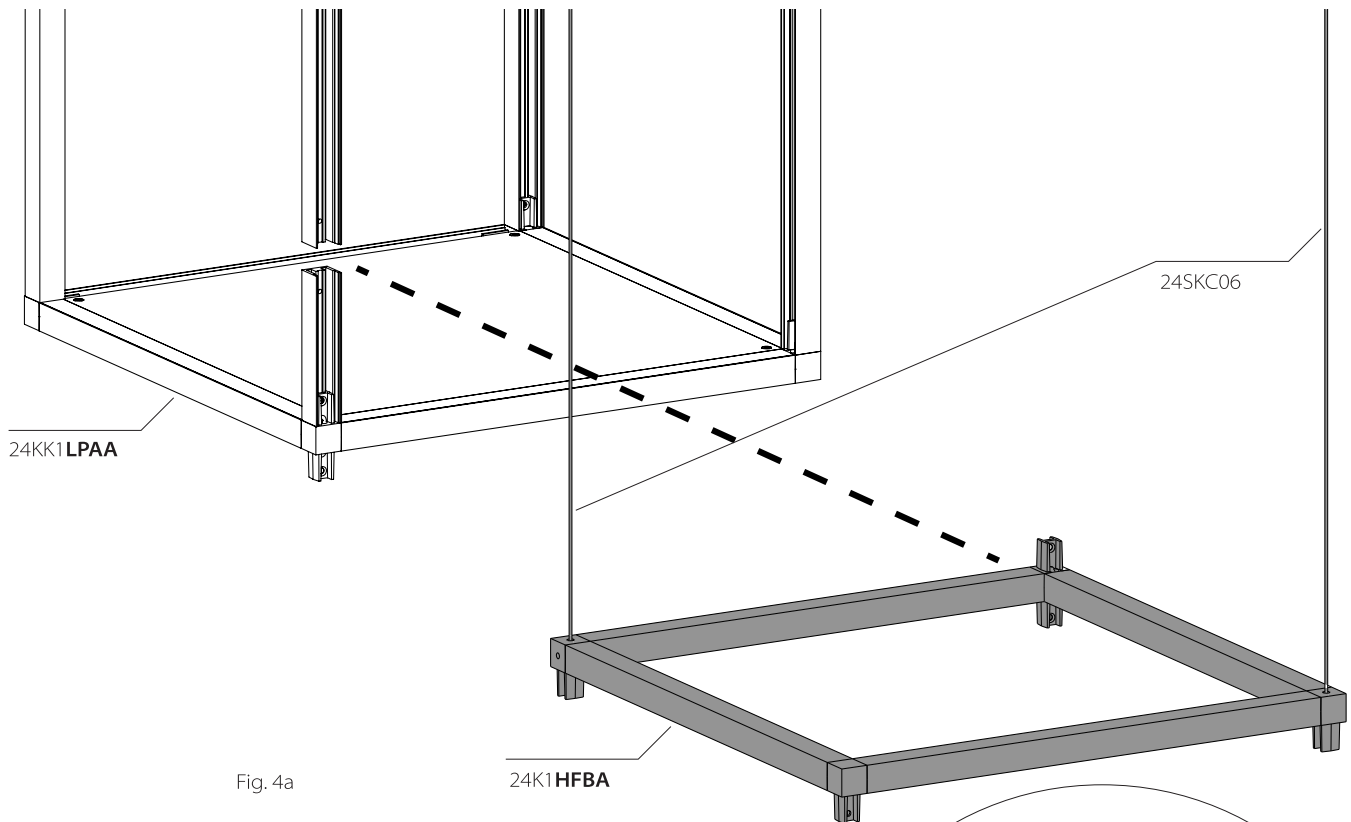
Fig. 3d



## Component Installation *Instructions d'installation*

### 13. Second section

- 13a. Install 24KK1HFBA to 24KK1LPAA assembly as shown in Fig. 4a. Install 24SKC06 to hanging corners and tighten set screw with included Slotted Screwdriver.
- 13b. Using the cord and cable drop installation diagram on page 4, suspend assembled components with Cable Grippers (not shown).
- 13c. Section as part of whole assembly shown in Fig. 4b.



**Component Installation**  
*Instructions d'installation*

**14. Third section (24KK1LPBA assembly)**

14a. Install 24KK1VFAA, (1x) 24AK12, and (1x) 24AK08 to 24KK1LPBA in the orientation shown and install assembled 24KK1LPBA to 24KK1LPAA assembly as shown in Fig. 5a.

**NOTE: Pay close attention to arm orientation, as it will affect wiring in later stages.**

14b. Section as part of whole assembly shown in Fig. 5b.

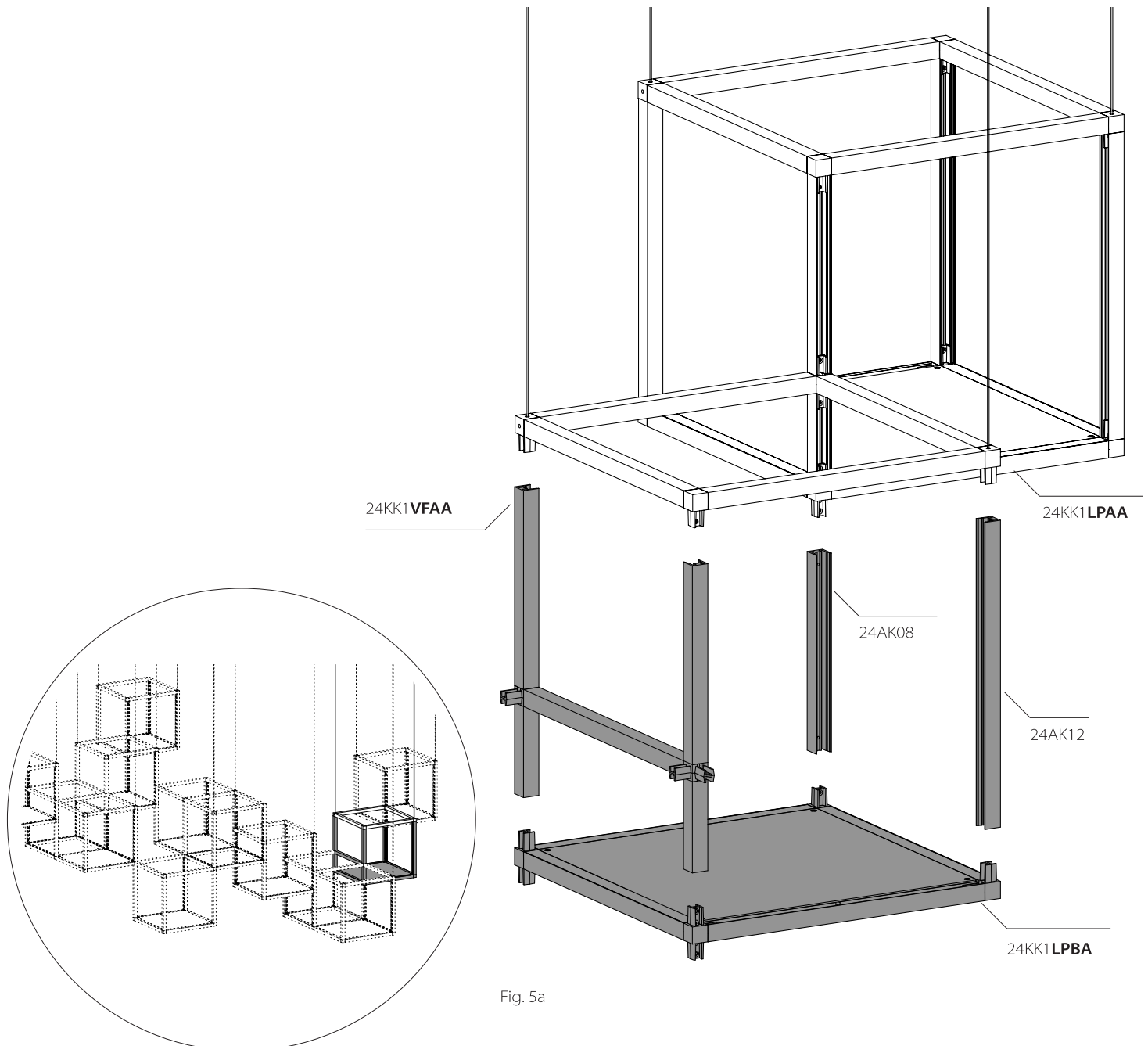


Fig. 5a

Fig. 5b

## Component Installation *Instructions d'installation*

### 15. Fourth section (24KK1LPEA assembly)

15a. Install (4x) 24AK12 and 24KK1VFCA to 24KK1LPEA in the orientation shown in Fig. 6a.

**NOTE: Pay close attention to arm orientation, as it will affect wiring in later stages.**

15b. Install 24KK1HFEA to the top of arms and 24SKC06 to hanging connectors and tighten set screw with included Slotted Screwdriver.

15c. Section as part of whole assembly shown in Fig. 6b.

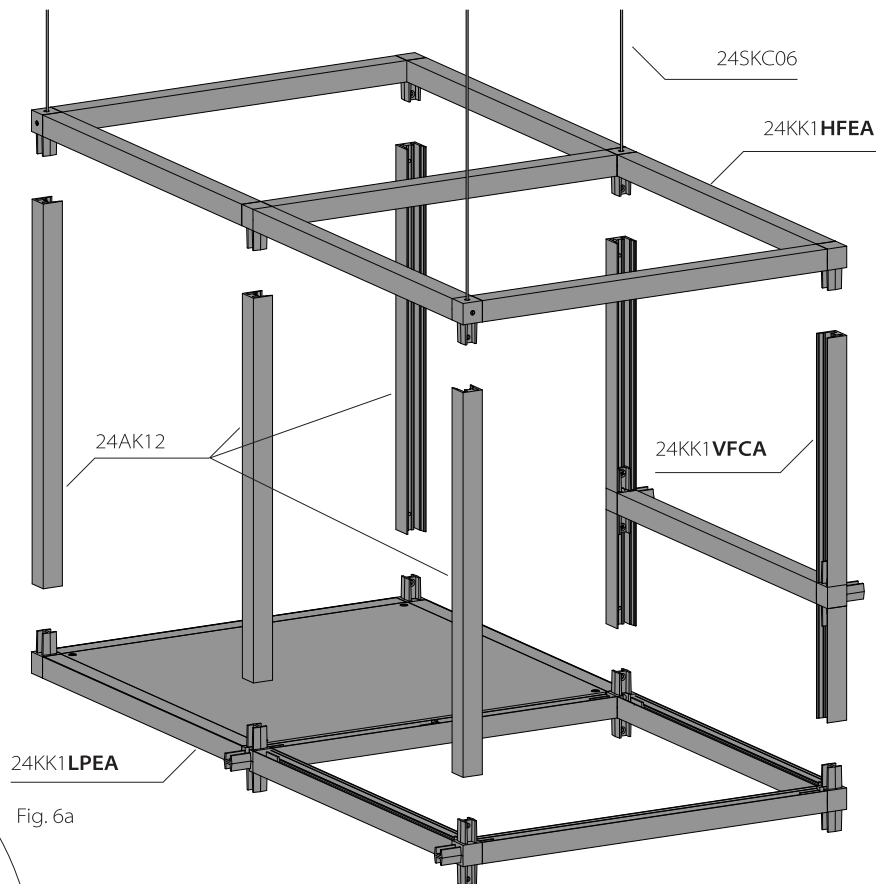


Fig. 6a

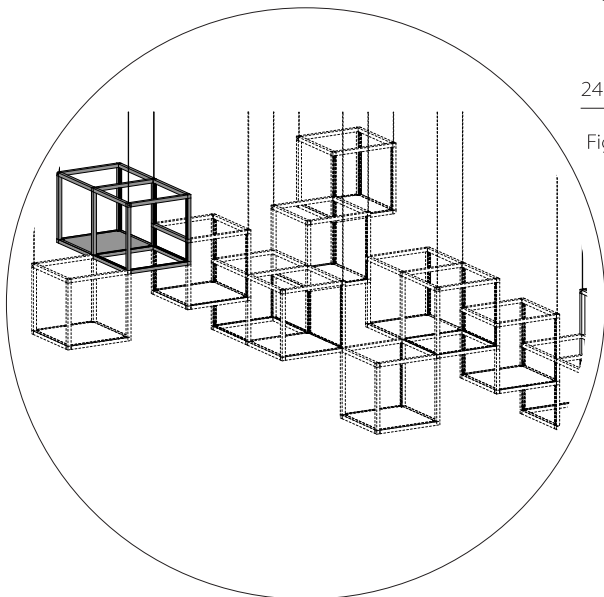


Fig. 6b

## Component Installation *Instructions d'installation*

### 16. Fifth section

- 16a. Install 24KK1HFCA to 24KK1LPEA assembly as shown in Fig. 7a. Install 24SKC06 to hanging corner tighten set screw with included Slotted Screwdriver.
- 16b. Using the cord and cable drop installation diagram on page 4, suspend assembled components with Cable Grippers (not shown).
- 16c. Section as part of whole assembly shown in Fig. 7b.

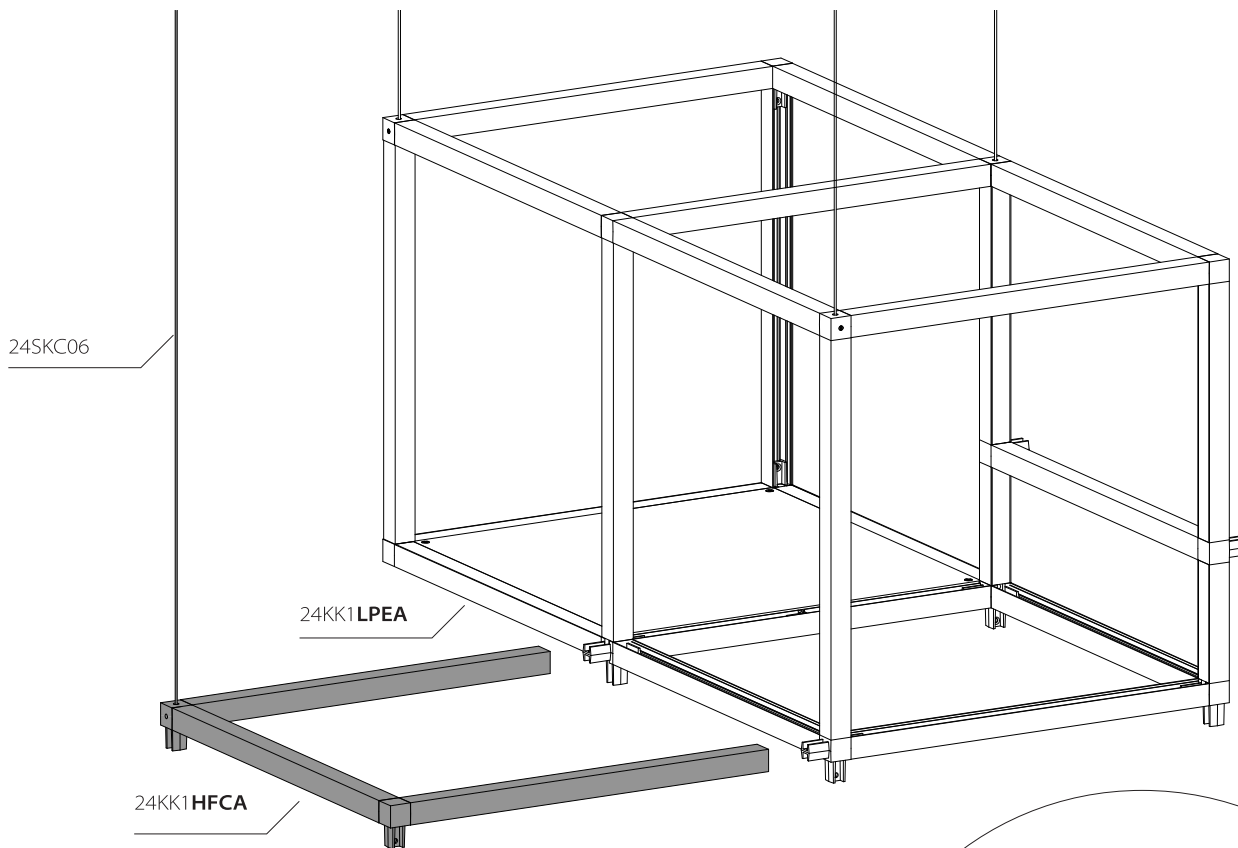


Fig. 7a

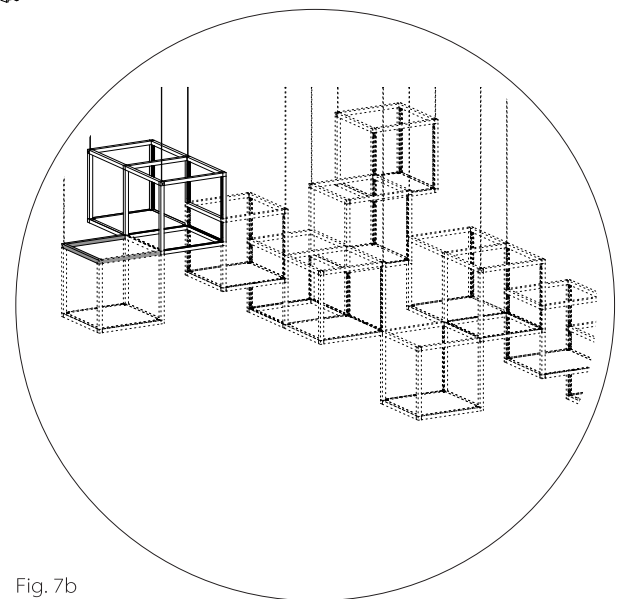


Fig. 7b

## Component Installation *Instructions d'installation*

### 17. Sixth section (24KK1LPFA assembly)

17a. Install (4x) 24AK12 to 24KK1LPFA and install to 24KK1HFCA assembly in the orientation shown in Fig. 8a.

**NOTE: Pay close attention to arm orientation, as it will affect wiring in later stages.**

17b. Section as part of whole assembly shown in Fig. 8b.

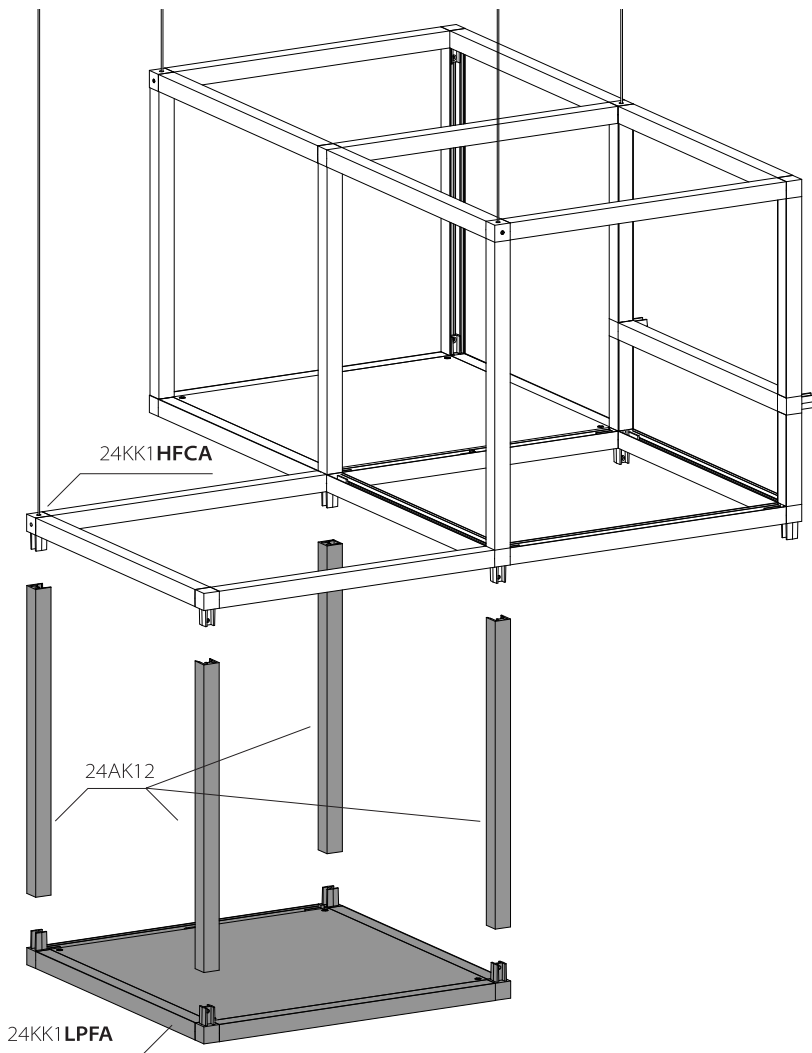


Fig. 8a

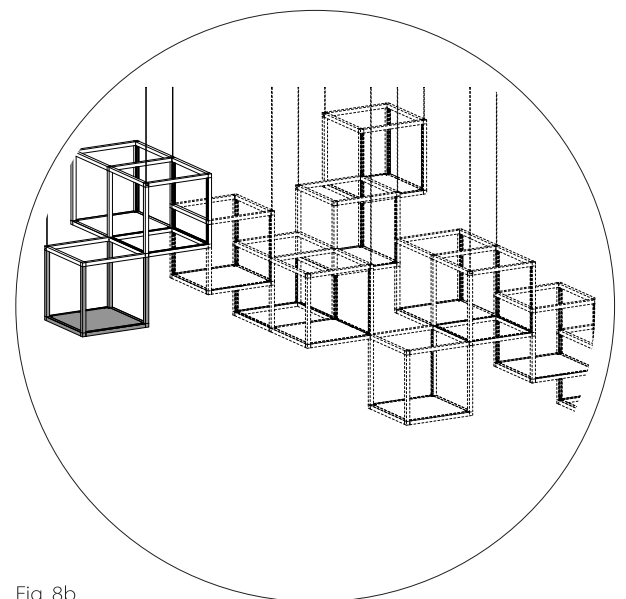


Fig. 8b

## Component Installation *Instructions d'installation*

### 18. Seventh section (24KK1HFCA assembly)

- 18a. Install 24KK1HFCA to 24KK1VFCA in orientation shown in Fig. 9a. Install 24SKC06 to hanging corner and tighten set screw with included Slotted Screwdriver.
- 18b. Using the cord and cable drop installation diagram on page 4, suspend assembled components with Cable Grippers (not shown).
- 18c. Section as part of whole assembly shown in Fig. 9b.

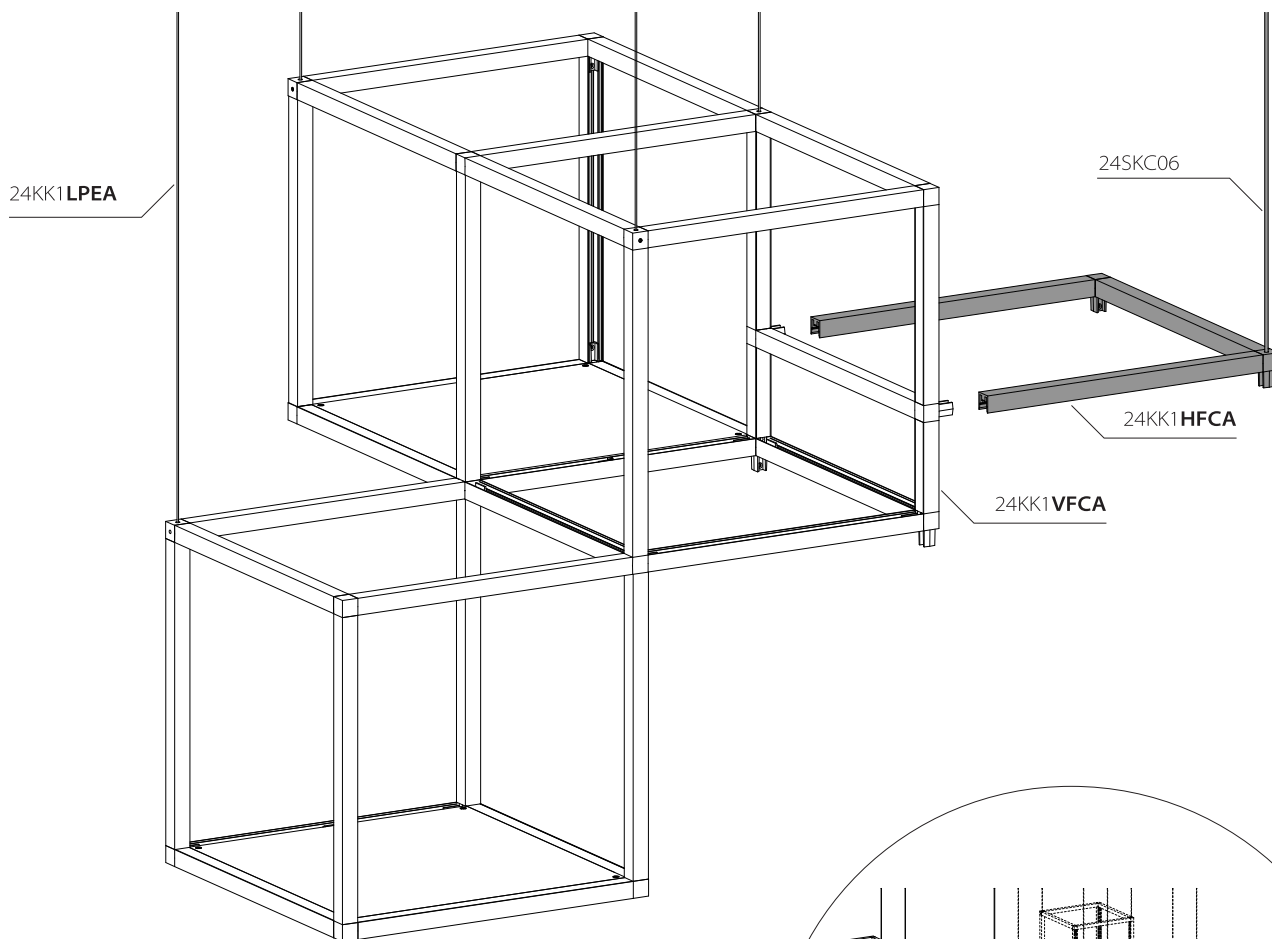


Fig. 9a

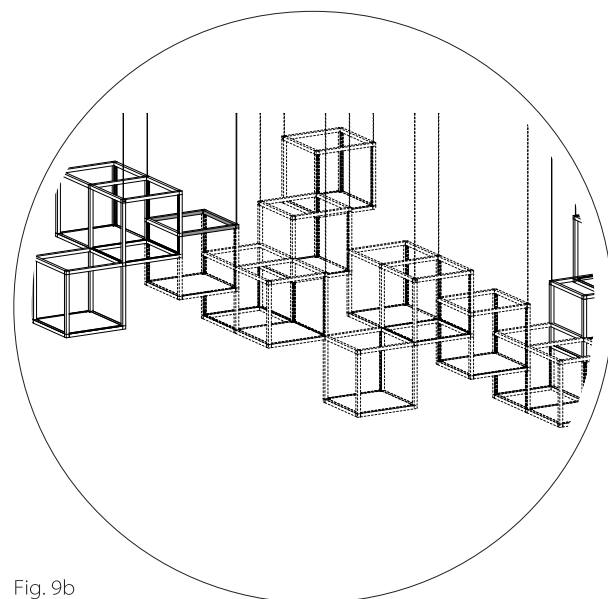


Fig. 9b

## Component Installation *Instructions d'installation*

### 19. Eighth section (24KK1LPCA assembly)

19a. Install (2x) 24AK08 and 24KK1VFBA to 24KK1LPCA in the orientation shown in Fig. 10a.

**NOTE: Pay close attention to arm orientation, as it will affect wiring in later stages.**

19b. Install 24KK1LPCA assembly to 24KK1HFCA assembly.

19c. Section as part of whole assembly shown in Fig. 10b.

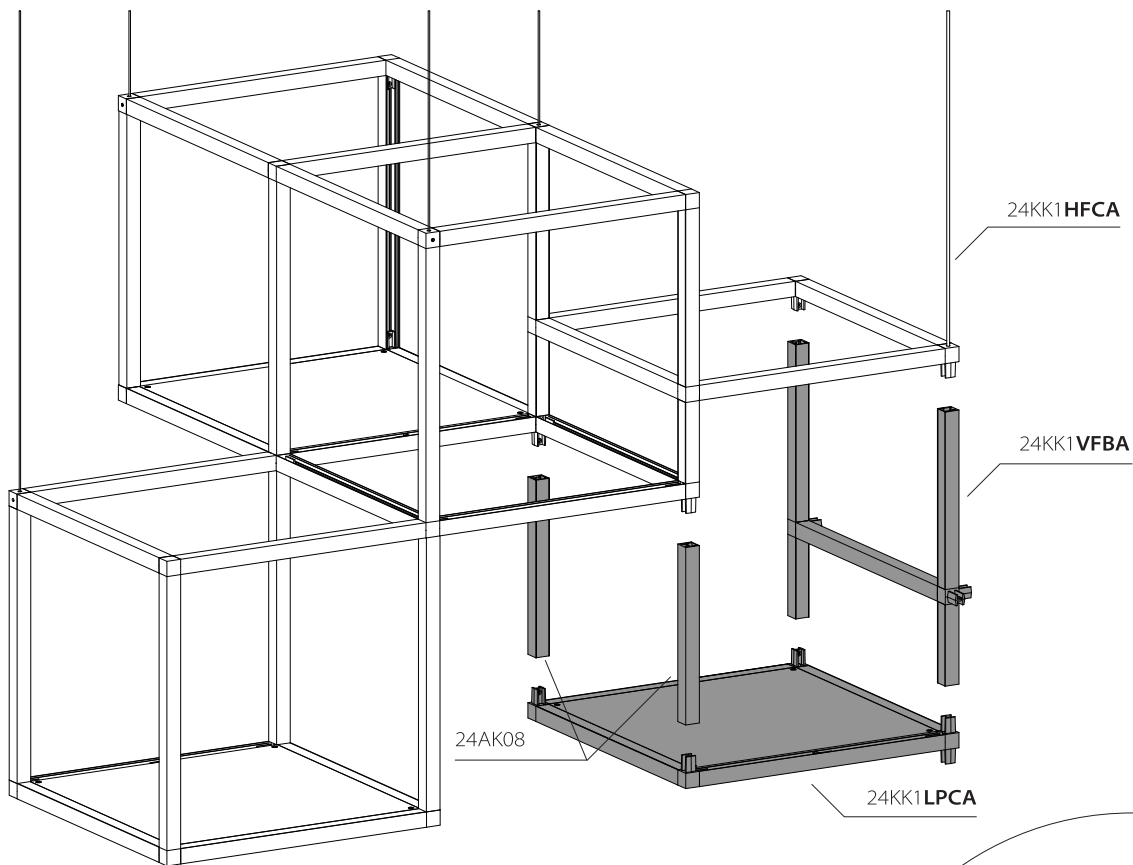


Fig. 10a

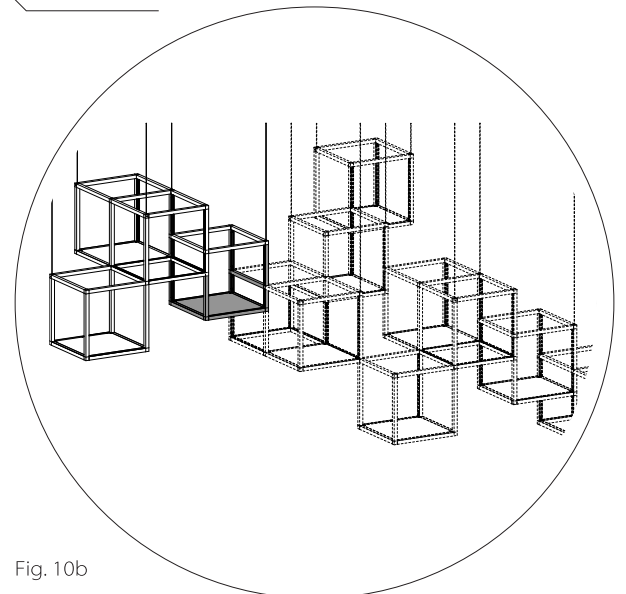


Fig. 10b

## Component Installation *Instructions d'installation*

### 20. Ninth section (24KK1LPAA assembly)

20a. Install (3x) 24AK12 and (1x) 24AK04 to 24KK1LPAA as shown in Fig. 11a.

**NOTE: Pay close attention to arm orientation, as it will affect wiring in later stages.**

20b. Install 24KK1HFAA to other end of Vertical Arms in orientation shown in Fig. 11a.

20c. Install 24AK08 to open corner of 24KK1HFAA.

20d. Install 24SKC06 into hanging corners and tighten set screw with included Slotted Screwdriver.

20e. Using the cord and cable drop installation diagram on page 4, suspend assembled components with Cable Grippers (not shown).

20f. Section as part of whole assembly shown in Fig. 11b.

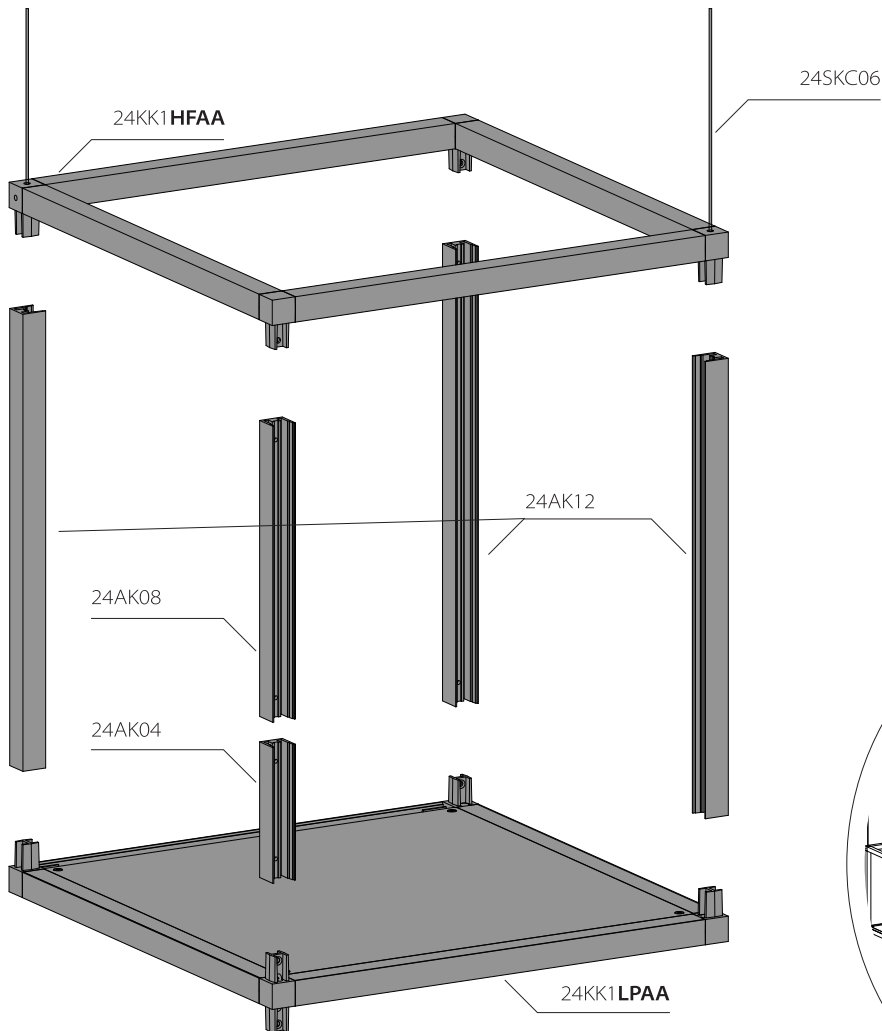


Fig. 11a

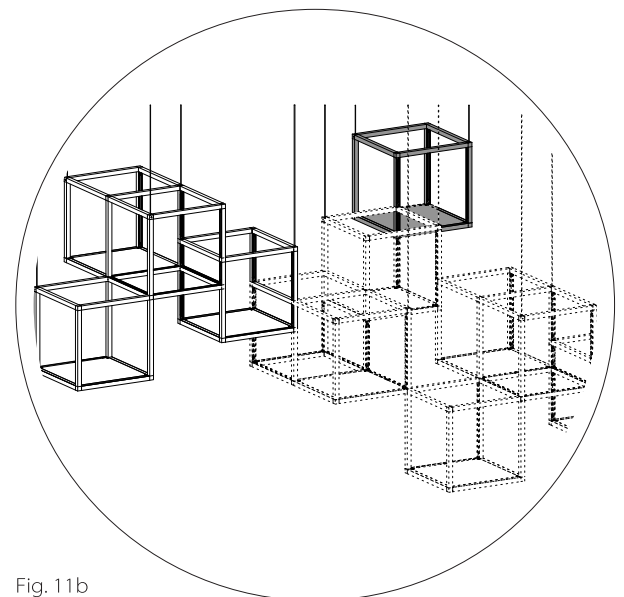


Fig. 11b



## Component Installation *Instructions d'installation*

### 21. Tenth section

- 21a. Install 24KK1HFBA to 24KK1LPAA assembly in orientation shown in Fig. 12a.
- 21b. Install 24SKC06 to hanging corners and tighten set screw with included Slotted Screwdriver.
- 21c. Using the cord and cable drop installation diagram on page 4, suspend assembled components with Cable Grippers (not shown).
- 21d. Section as part of whole assembly shown in Fig. 12b.

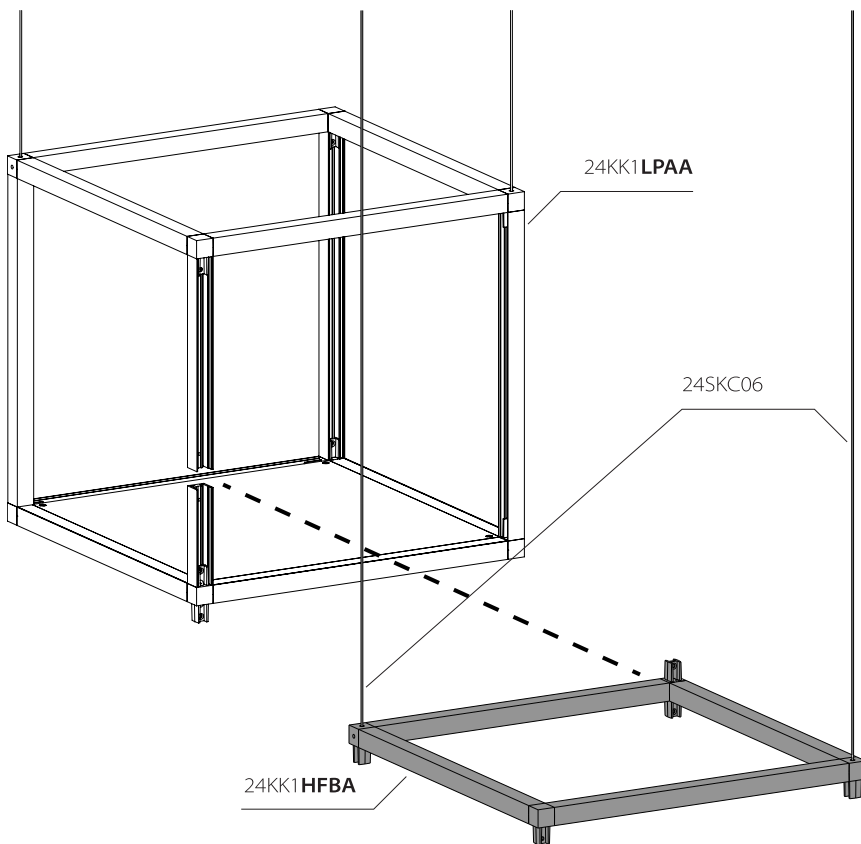


Fig. 12a

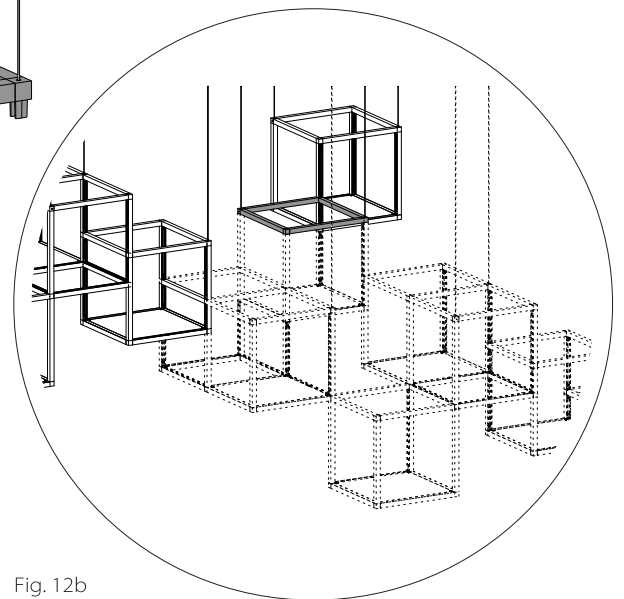


Fig. 12b

**Component Installation**  
*Instructions d'installation*

**22. Eleventh section (24KK1LPGA assembly)**

22a. Install 24KK1VFAA, 24KK1VFDA and (1x) 24AK08 to 24KK1LPGA in the orientation shown in Fig. 13a and install to 24KK1HFBA assembly.

**NOTE: Pay close attention to arm orientation, as it will affect wiring in later stages.**

22b. Using the cord and cable drop installation diagram on page 4, suspend assembled components with Cable Grippers (not shown).

22c. Section as part of whole assembly shown in Fig. 13b.

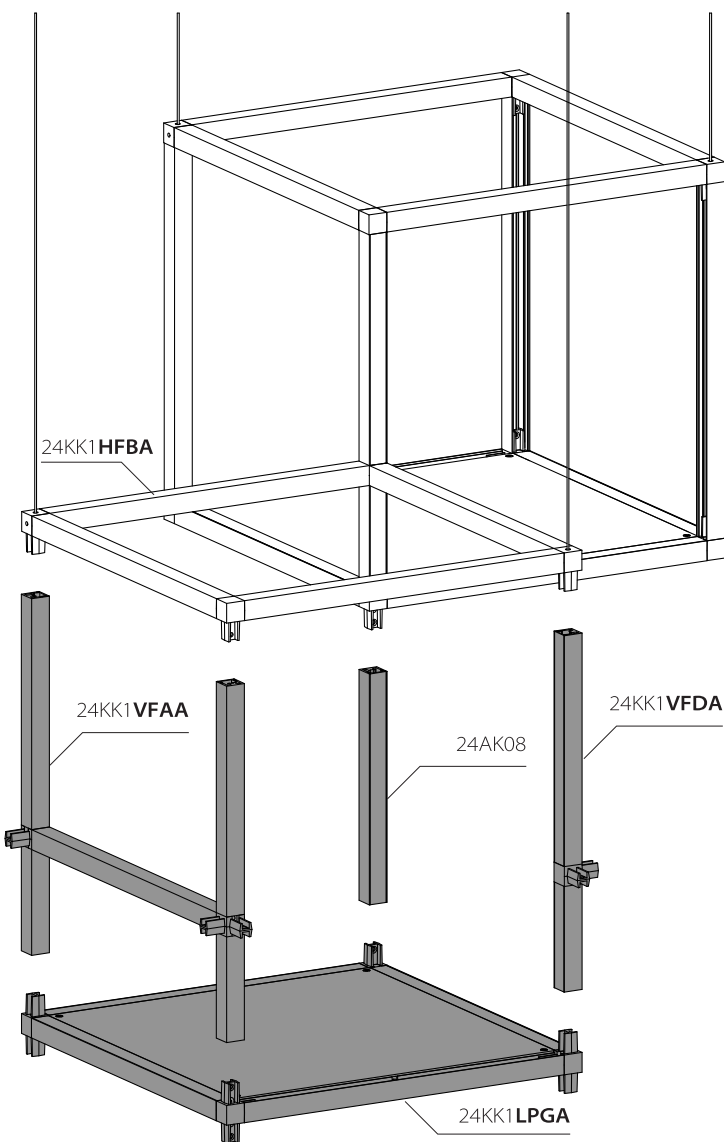


Fig. 13a

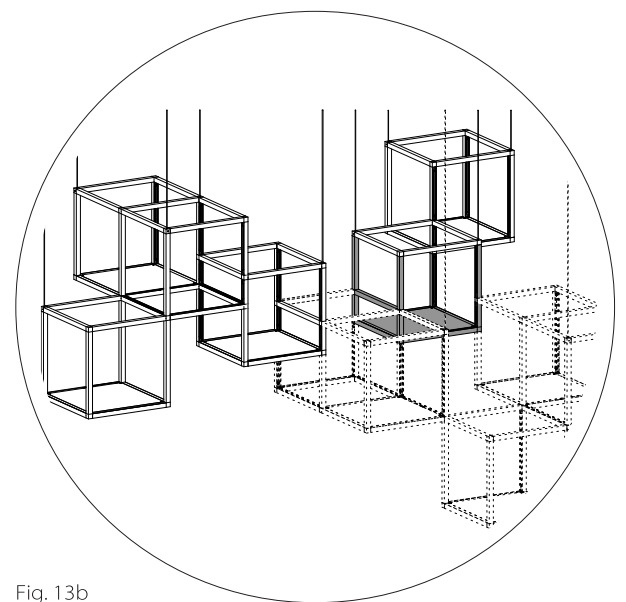


Fig. 13b

**Component Installation**  
**Instructions d'installation**

**23. Twelfth section**

23a. Using (2x) 24AK12, connect 24KK1LPCA, 24KK1LPEA, and 24KK1LPFA assembly to 24KK1LPAA and 24KK1LPGA assembly as shown in Fig. 14a.

**NOTE: Pay close attention to arm orientation, as it will affect wiring in later stages.**

23b. Section as part of whole assembly shown in Fig. 14b.

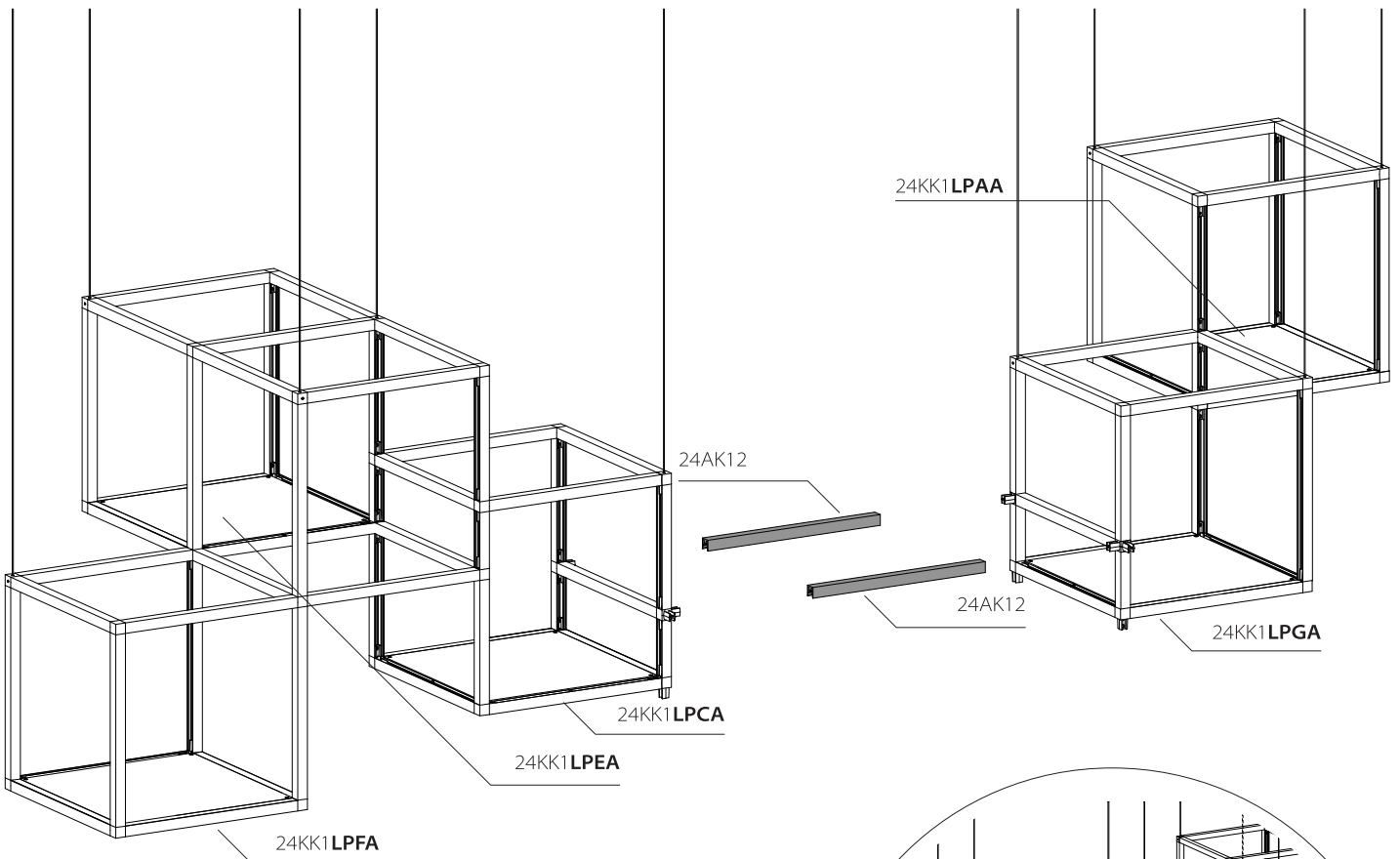


Fig. 14a

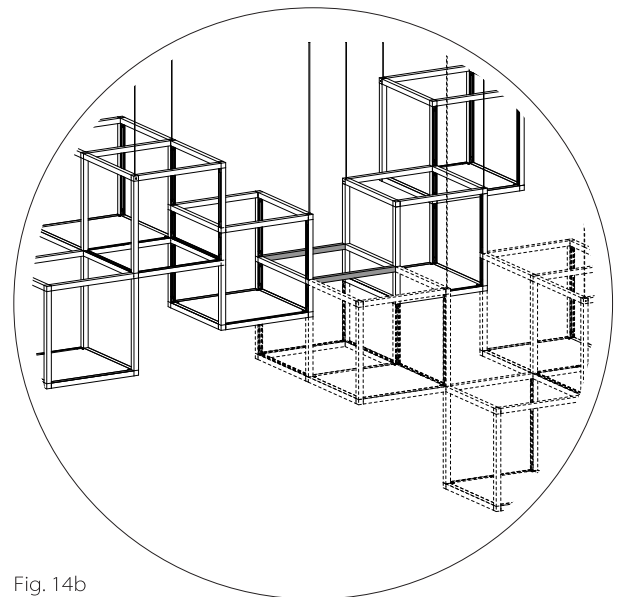


Fig. 14b

## Component Installation *Instructions d'installation*

### 24. Thirteenth section

- 24a. Install 24KK1HFDA to assembly in orientation shown in Fig. 15a.
- 24b. Using the cord and cable drop installation diagram on page 4, suspend assembled components with Cable Grippers (not shown).
- 24c. Section as part of whole assembly shown in Fig. 15b.

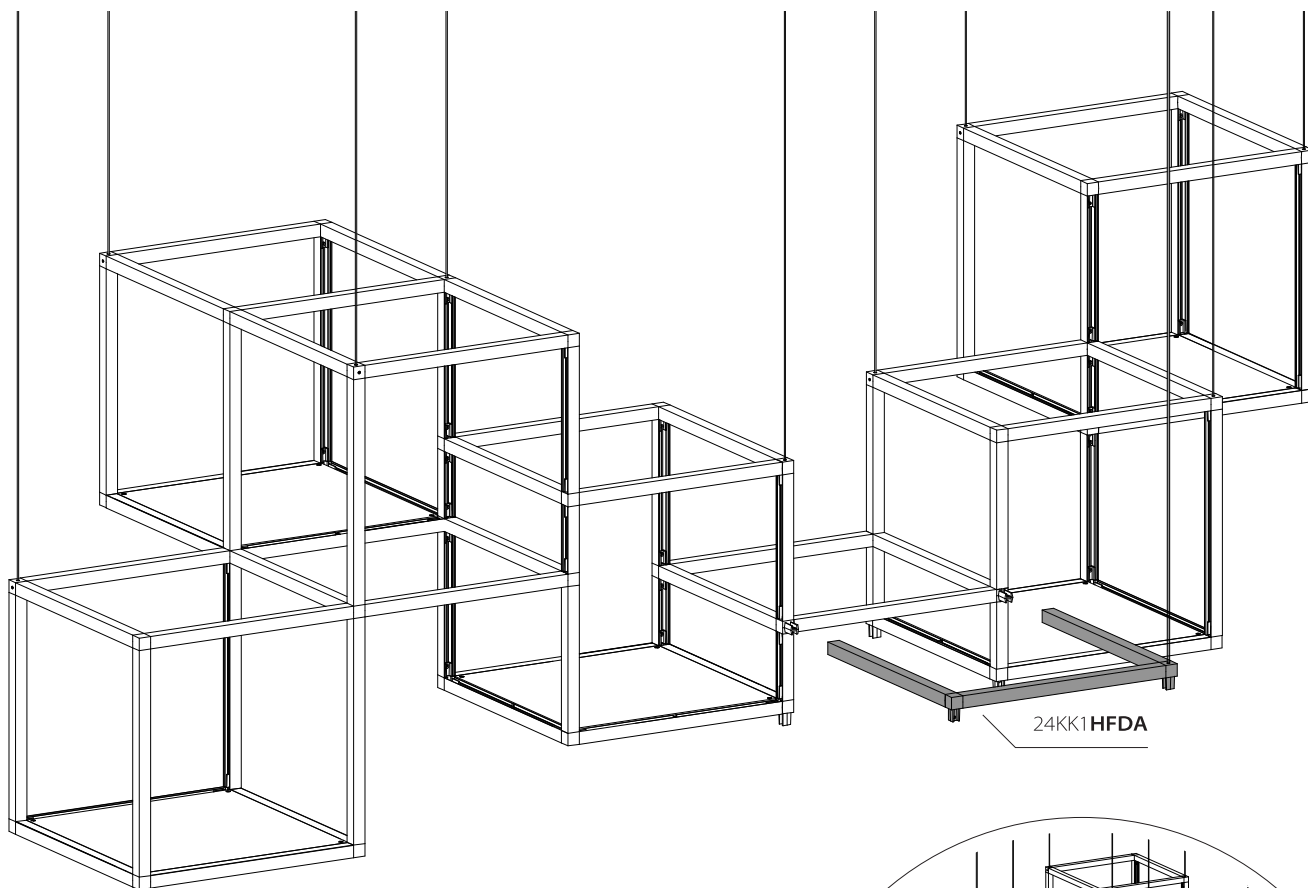


Fig. 15a

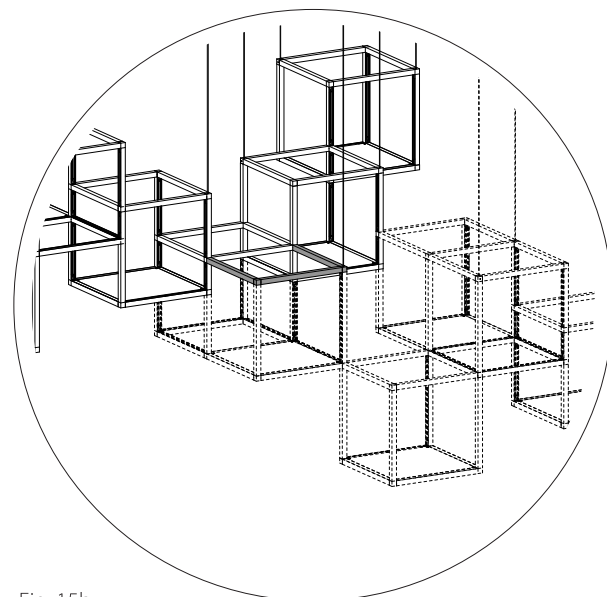


Fig. 15b

**Component Installation**  
*Instructions d'installation*

**25. Fourteenth section (24KK1LPHA)**

25a. Install (2x) 24AK12 and (4x) 24AK08 to 24KK1LPHA in the orientation shown in Fig. 16a and install 24SKP06 (not shown) through hanging connector and arm of 24KK1LPHA and tighten set screw with included Slotted Screwdriver.

**NOTE: Pay close attention to arm orientation, as it will affect wiring in later stages.**

25b. Section as part of whole assembly shown in Fig. 16b.

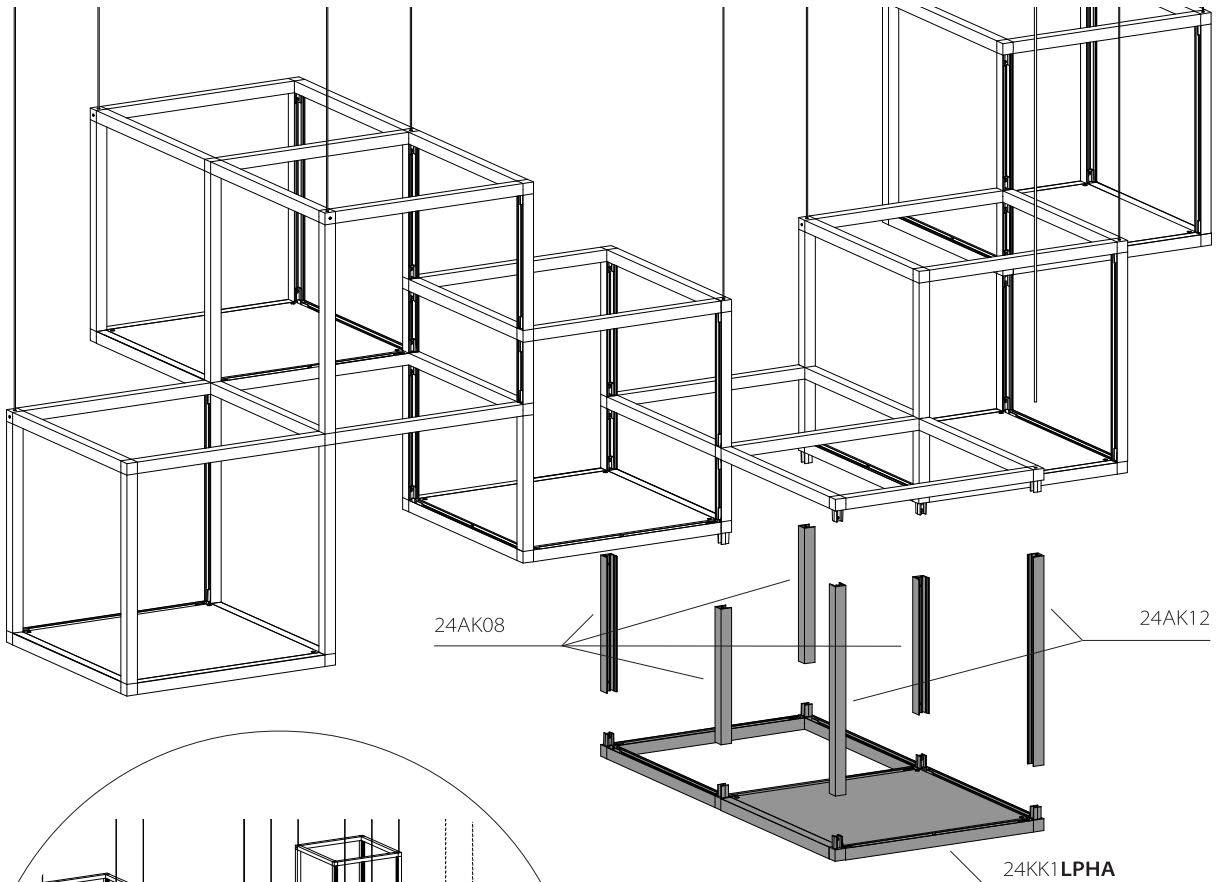


Fig. 16a

Fig. 16b

## Component Installation *Instructions d'installation*

### 26. Fifteenth section (24KK1HFGA assembly)

- 26a. Install 24KK1HFGA to 24KK1LPGA assembly as shown in Fig. 17a.
- 26b. Using the cord and cable drop installation diagram on page 4, suspend assembled components with Cable Grippers (not shown).
- 26c. Section as part of whole assembly shown in Fig. 17b.

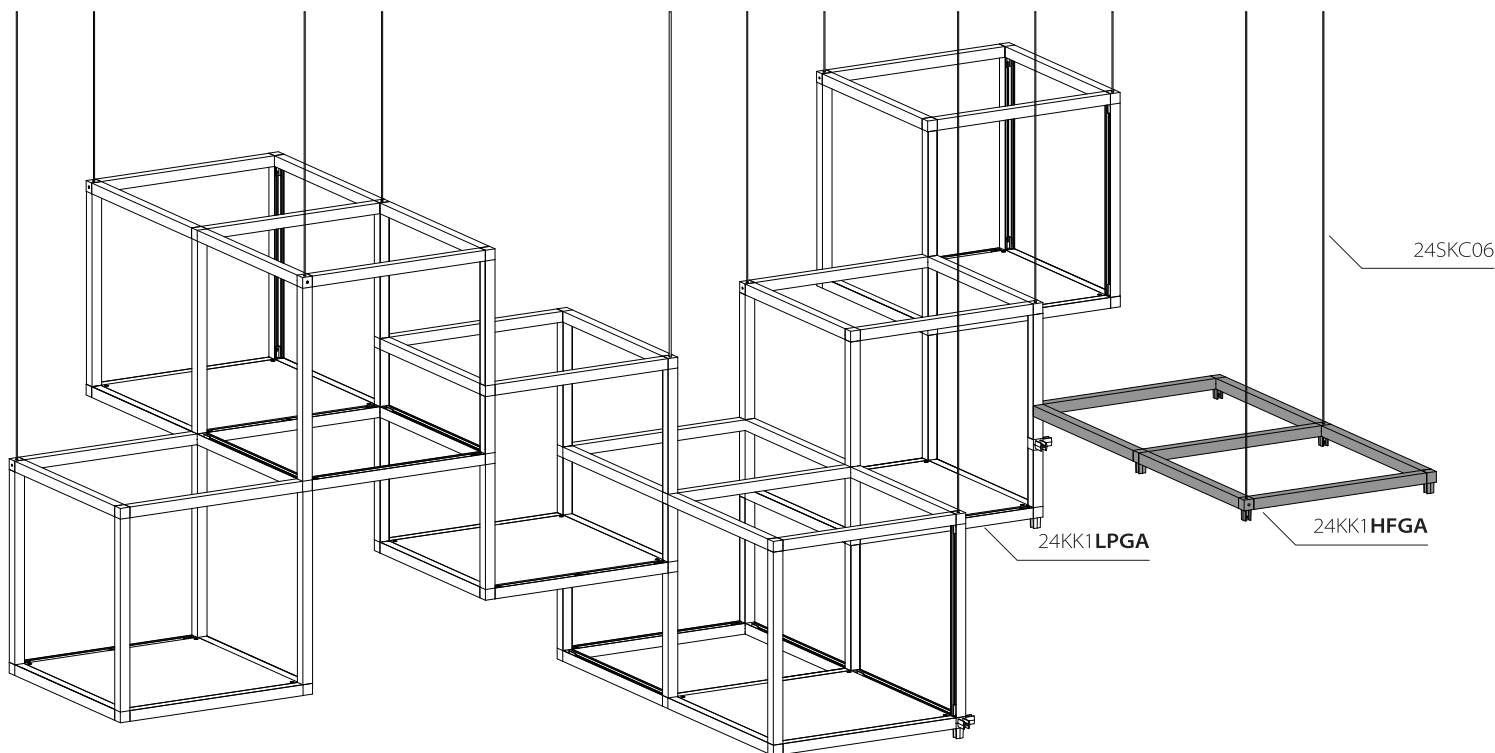


Fig. 17a

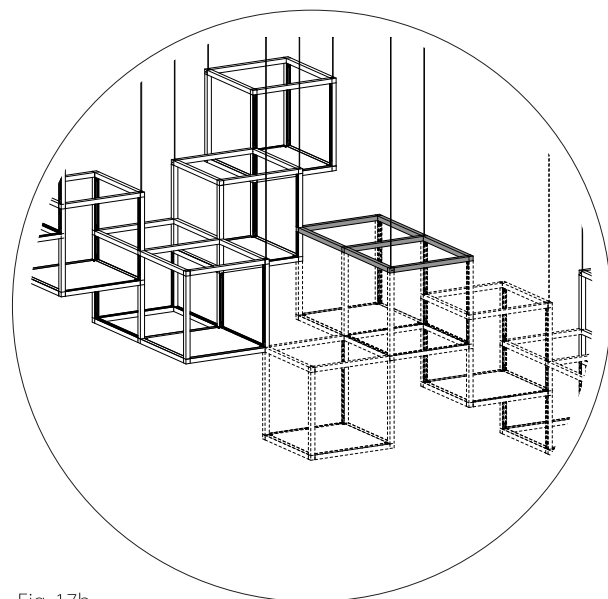


Fig. 17b

**Component Installation**  
***Instructions d'installation***

**27. Sixteenth section (24KK1LPEA assembly)**

27a. Install (3x) 24AK12, (1x) 24AK08, and 24KK1VFCA to 24KK1LPEA in the orientation shown in Fig. 18a.

**NOTE: Pay close attention to arm orientation, as it will affect wiring in later stages.**

27b. Using the cord and cable drop installation diagram on page 4, suspend assembled components with Cable Grippers (not shown).

27c. Section as part of whole assembly shown in Fig. 18b.

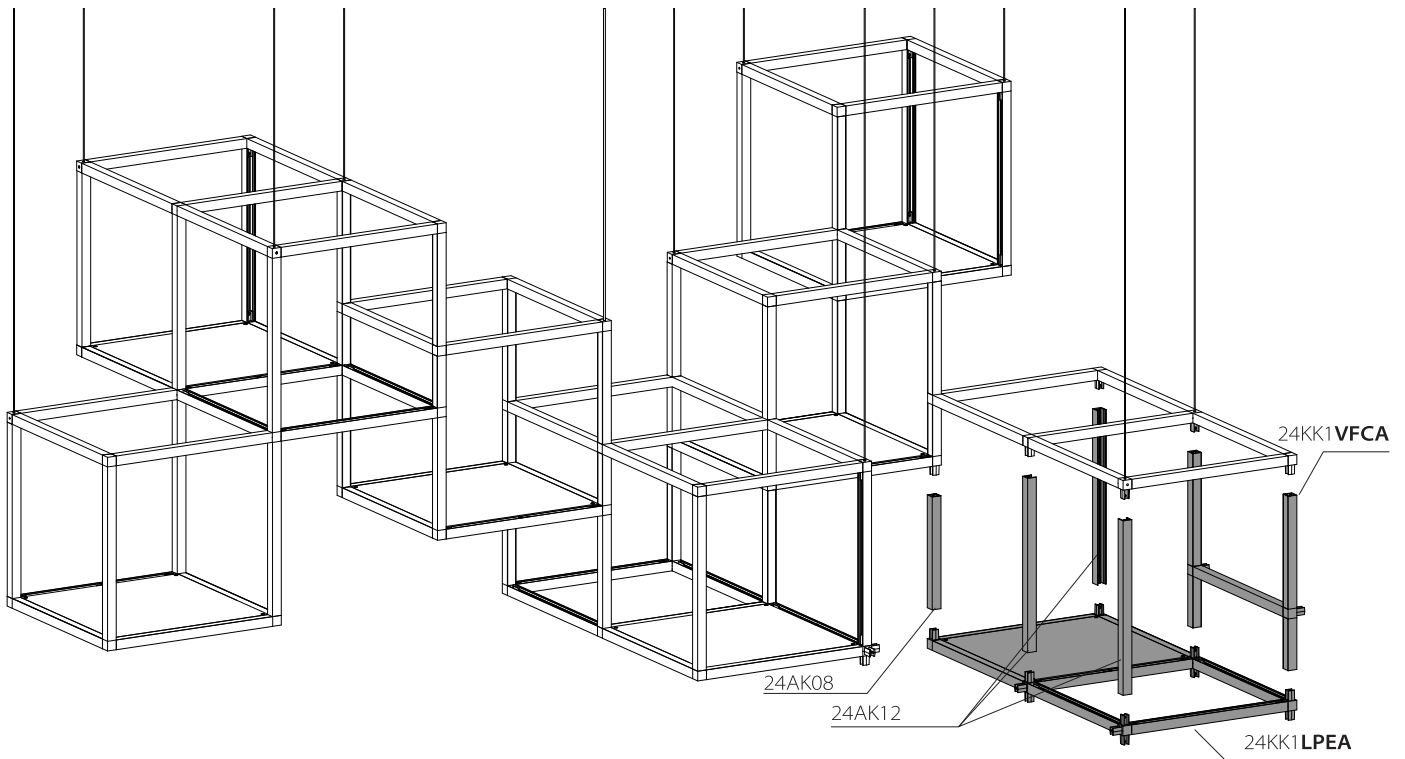


Fig. 18a

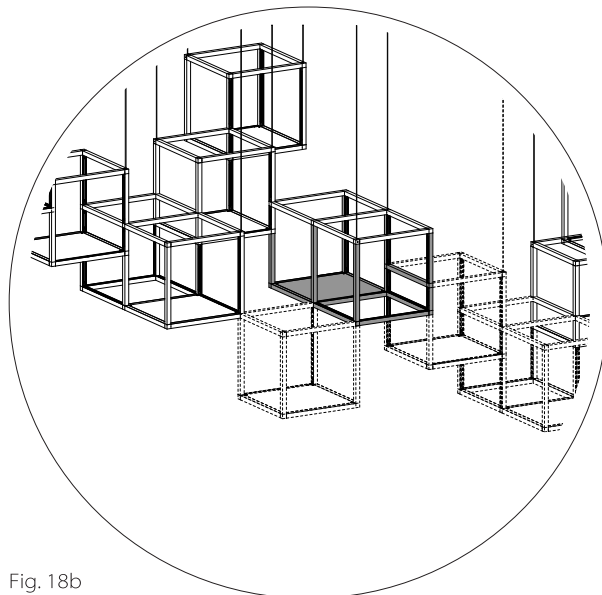


Fig. 18b

## Component Installation *Instructions d'installation*

### 28. Seventeenth section

28a. Install 24KK1HFHA to 24KK1LPHA and 24KK1LPEA in orientation shown in Fig. 19a.

28b. Section as part of whole assembly shown in Fig. 19b.

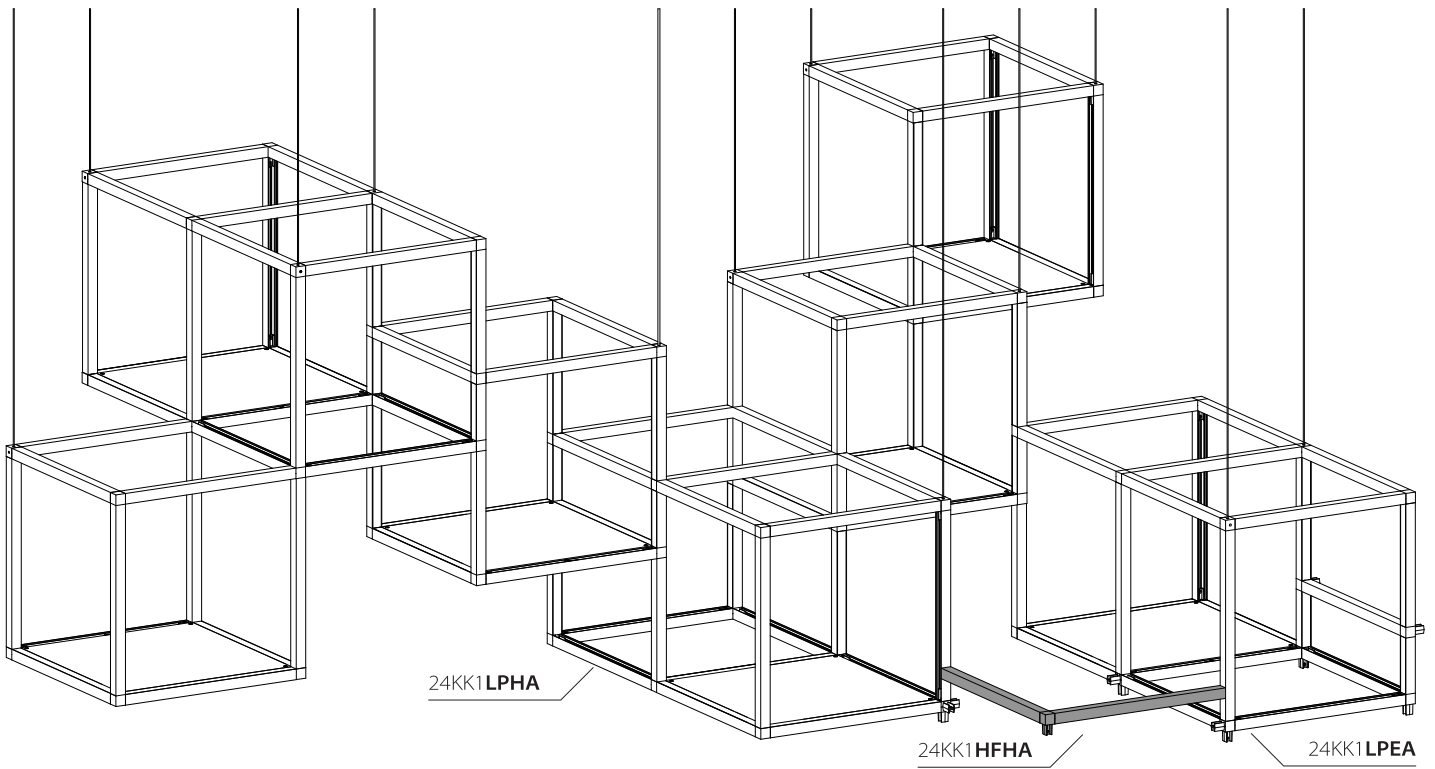


Fig. 19a

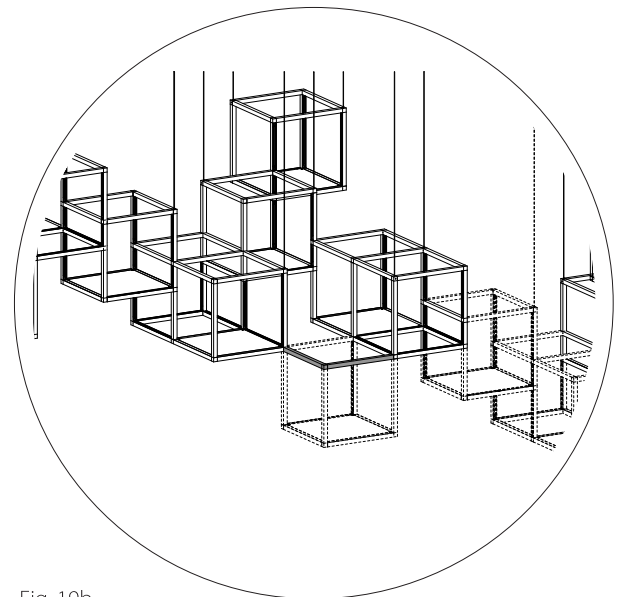


Fig. 19b



**Component Installation**  
**Instructions d'installation**

**29. Eighteenth section (24KK1LPFA assembly)**

29a. Install (1x) 24AK12 to bridge 24KK1LPEA and 24KK1LPHA together as shown in Fig. 20a.

**NOTE: Pay close attention to arm orientation, as it will affect wiring in later stages.**

29b. Install (4x) 24AK12 to 24KK1LPFA in the orientation shown in Fig. 20a.

29c. Install 24KK1LPFA assembly to 24KK1LPEA and 24KK1LPHA assemblies.

29d. Section as part of whole assembly shown in Fig. 20b.

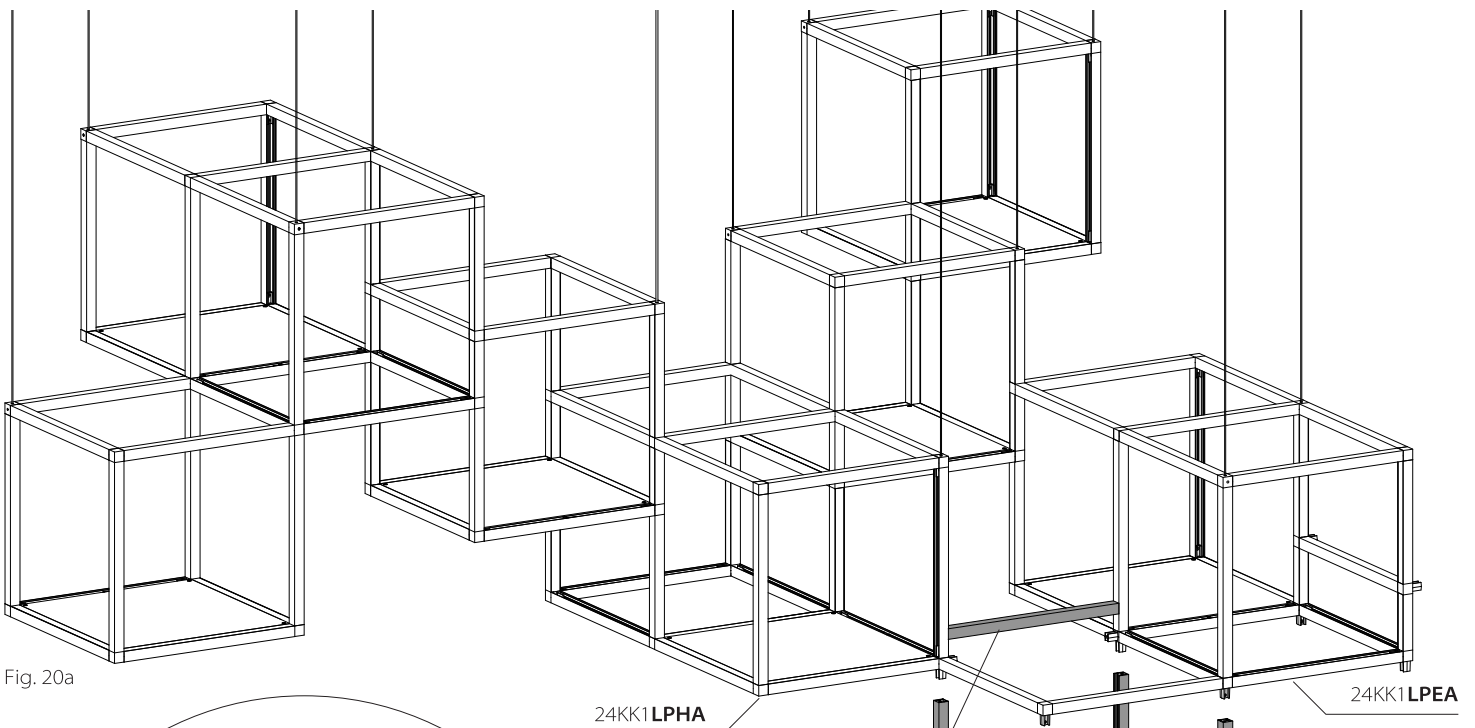


Fig. 20a

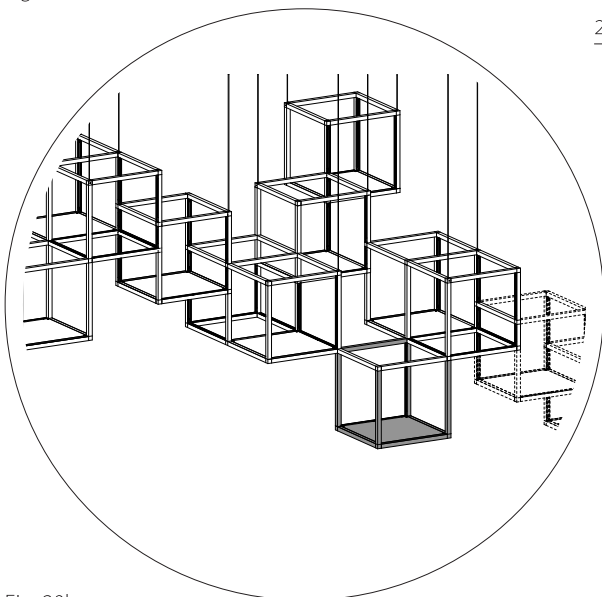


Fig. 20b

24KK1LPHA

24KK1LPEA

24AK12

24KK1LPFA

## Component Installation *Instructions d'installation*

### 30. Nineteenth section

30a. Install 24KK1HFCA to 24KK1LPEA assembly in the orientation shown.

**NOTE: Pay close attention to arm orientation.**

30b. Using the cord and cable drop installation diagram on page 4, suspend assembled components with Cable Grippers (not shown).

30c. Section as part of whole assembly shown in Fig. 21b.

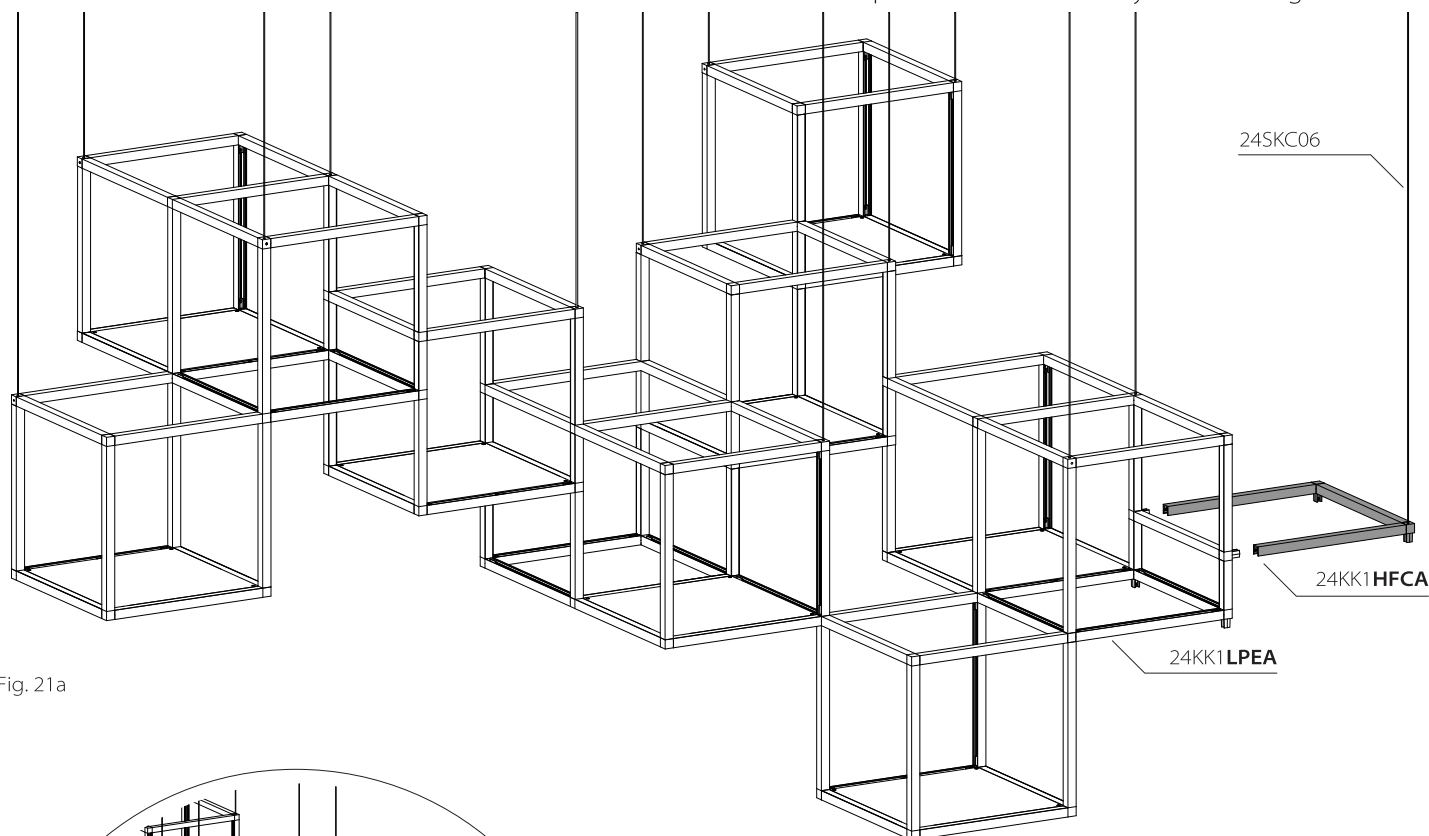


Fig. 21a

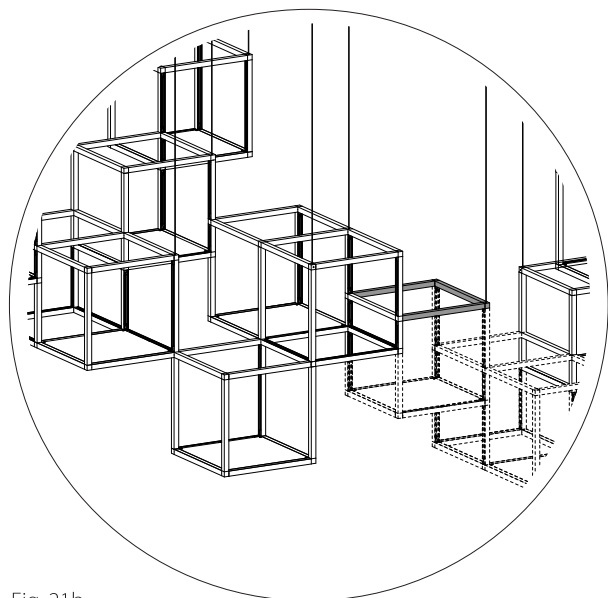


Fig. 21b

## Component Installation *Instructions d'installation*

### 31. Twentieth section (24KK1LPCA assembly)

31a. Install (2x) 24AK08 and 24KK1VFBA to 24KK1LPCA in the orientation shown in Fig. 22a.

**NOTE: Pay close attention to arm orientation, as it will affect wiring in later stages.**

31b. Install 24KK1LPCA assembly to 24KK1HFCA and 24KK1LPEA assembly in the orientation shown in Fig. 22a.

31c. Section as part of whole assembly shown in Fig. 22b.

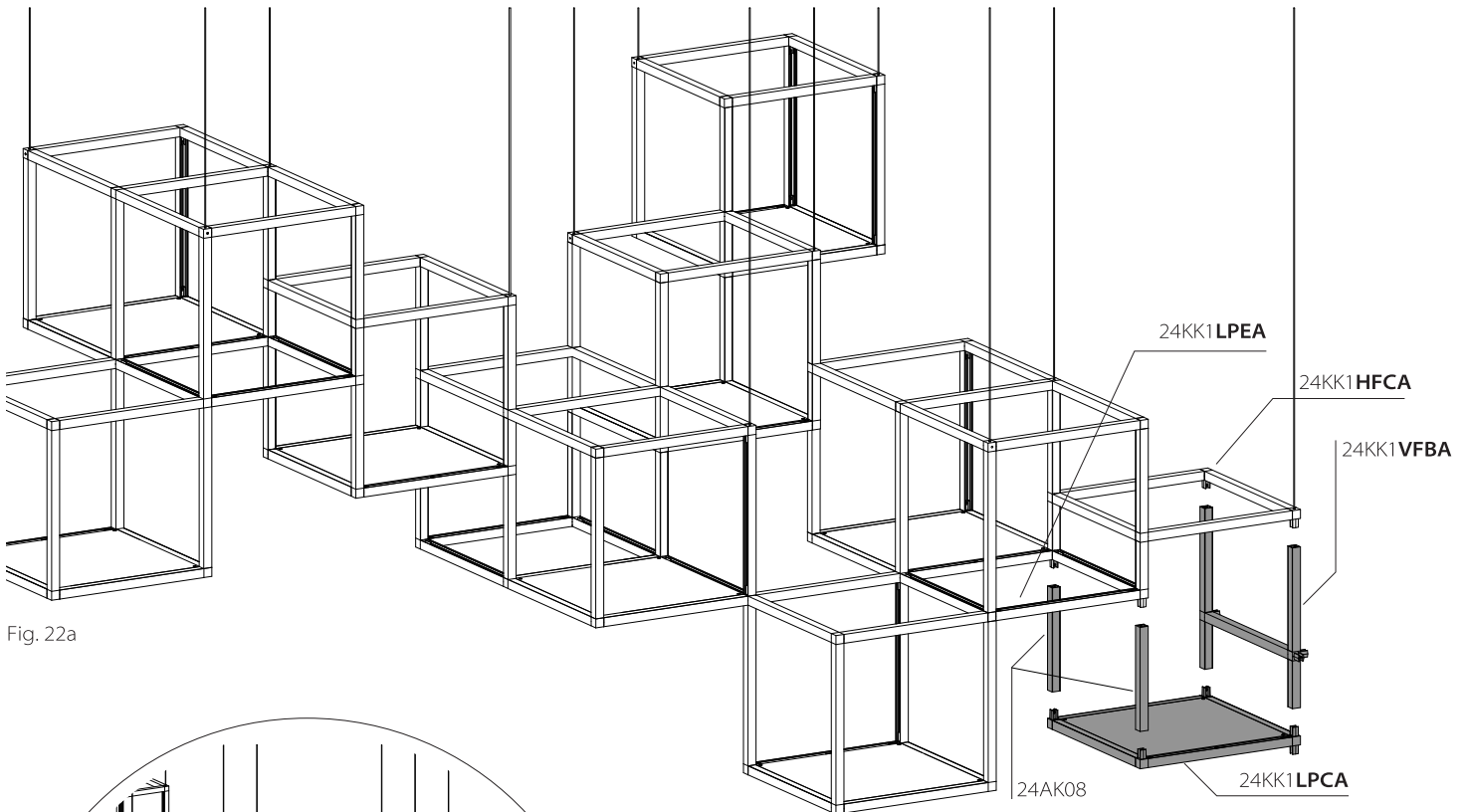


Fig. 22a

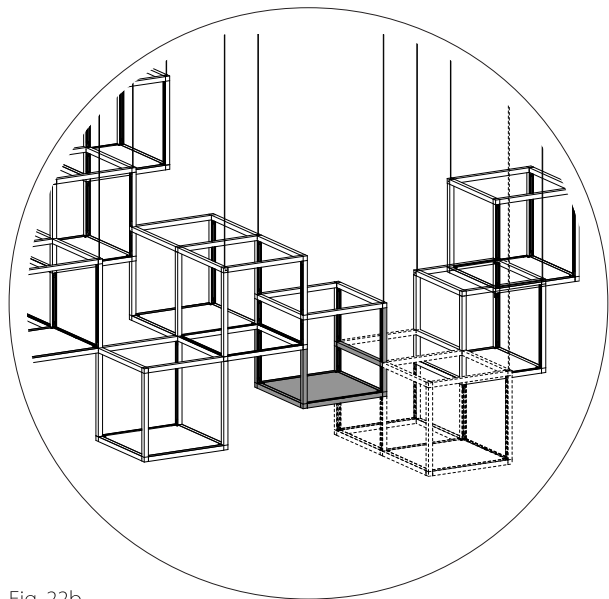


Fig. 22b

## Component Installation *Instructions d'installation*

### 32. Twenty-first section

32a. Install (2x) 24AK12 to bridge 24KK1LPBA assembly to 24KK1LPBA assembly as shown in Fig. 23.

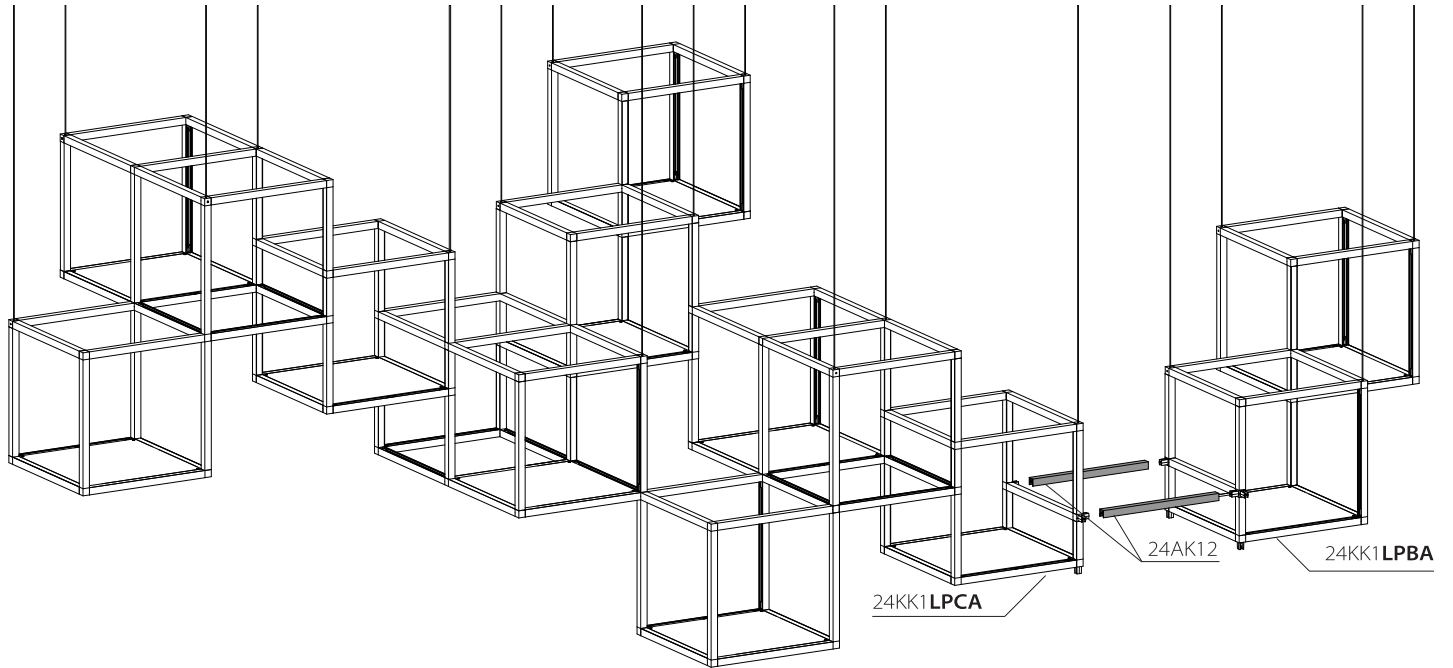


Fig. 23

## Component Installation *Instructions d'installation*

### 33. Twenty-second section

33a. Install 24KK1HFDA to 24KK1LPCA and 24KK1LPBA assembly in orientation shown in Fig. 24.

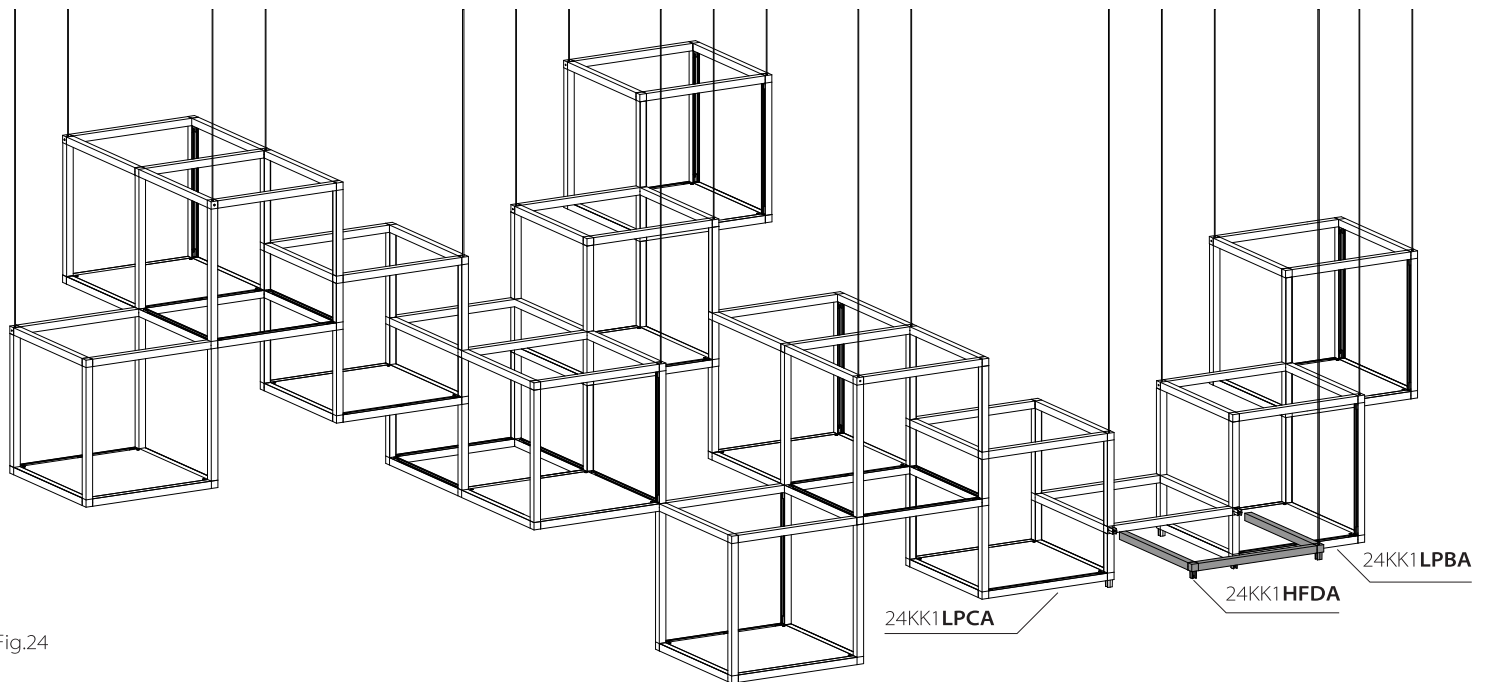


Fig.24

## Component Installation *Instructions d'installation*

### 34. Twenty-third section (24KK1LPDA assembly)

34a. Install (2x) 24AK12 and (4x) 24AK08 to 24KK1LPDA in the orientation shown in Fig. 25a.

**NOTE: Pay close attention to arm orientation, as it will affect wiring in later stages.**

34b. Install 24KK1LPDA assembly to the main assembly in the orientation shown in Fig. 25a. Proceed with Canopy Installation Instructions Step 4.

34c. Using Appendix B for reference, install all connecting wires through arms to panels (additional wire not included).

34d. Using a team of 2 or more people, adjust height of fixture so that it is balanced.

34e. Install all Arm Caps as shown in Fig. 25b and restore power to Outlet Box.

**NOTE: When installing Arm Caps, make sure wires are not being pinched.**

34f. The fixture is now completely assembled. Continue to Appendix A to complete the electrical wiring of the product.

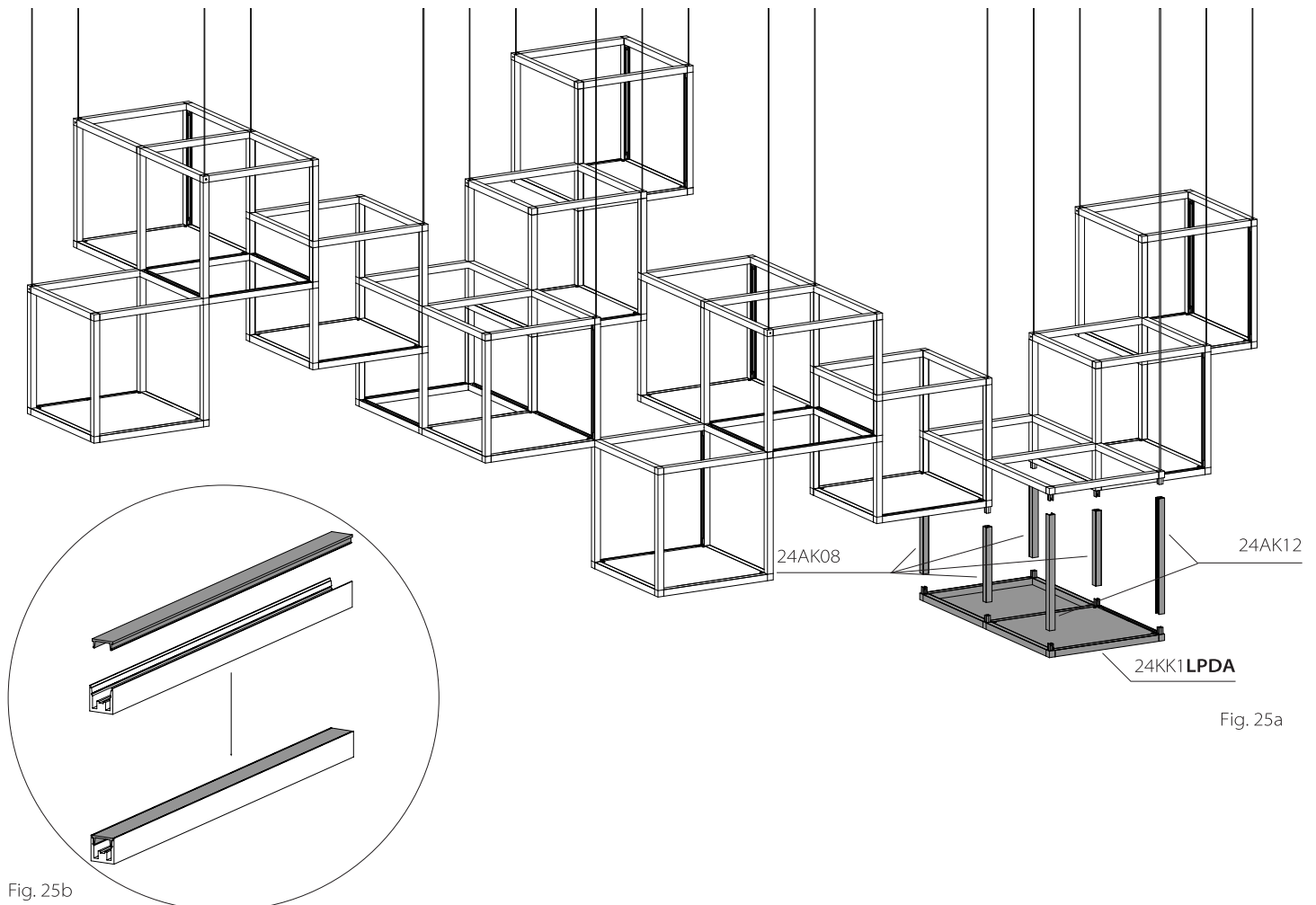
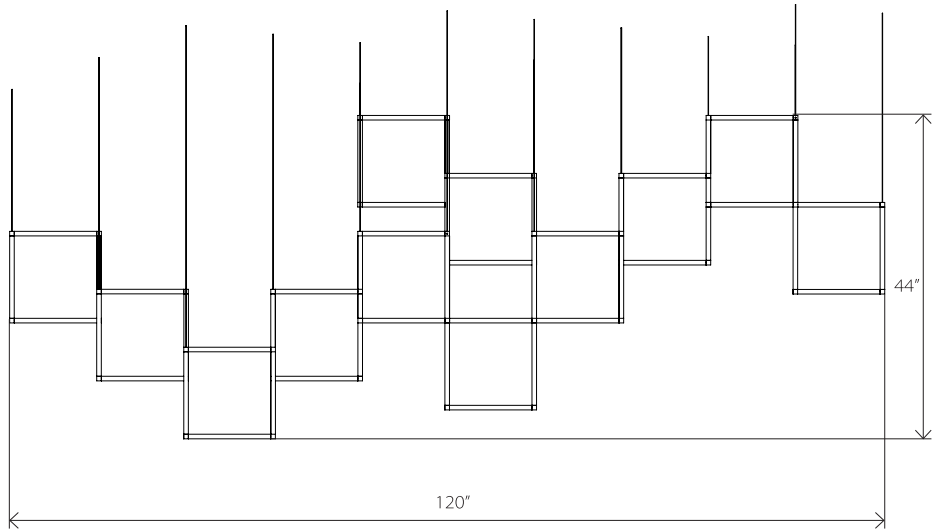


Fig. 25b

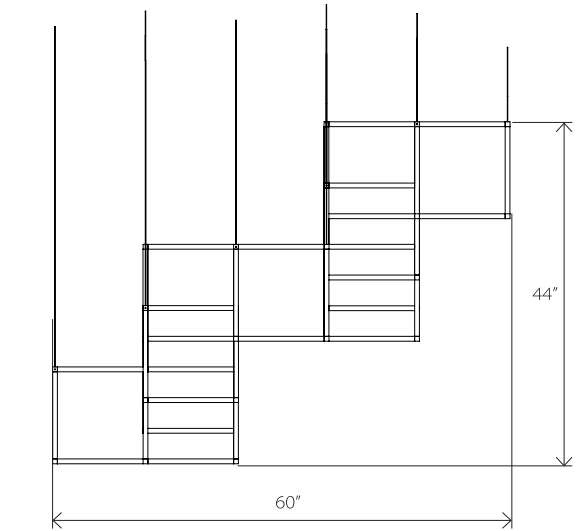
Fig. 25a

## Completed assembly

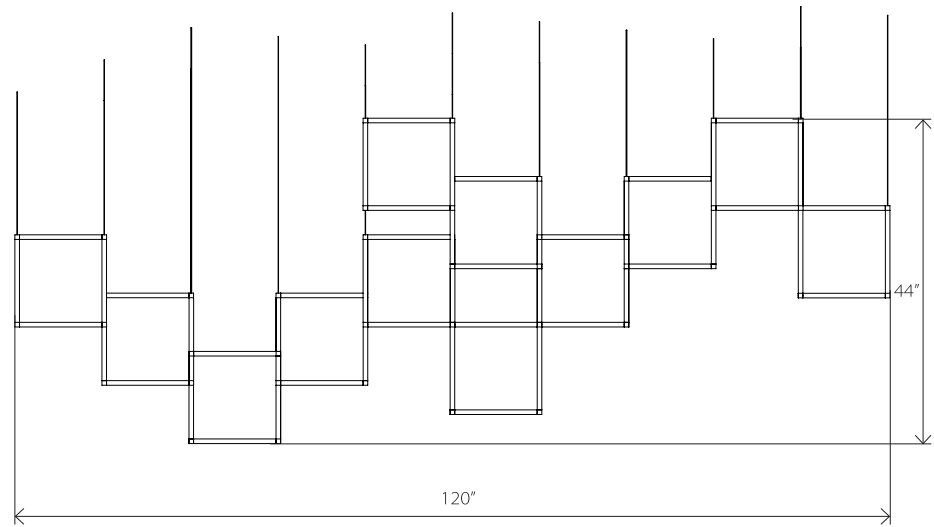
Finished Front View



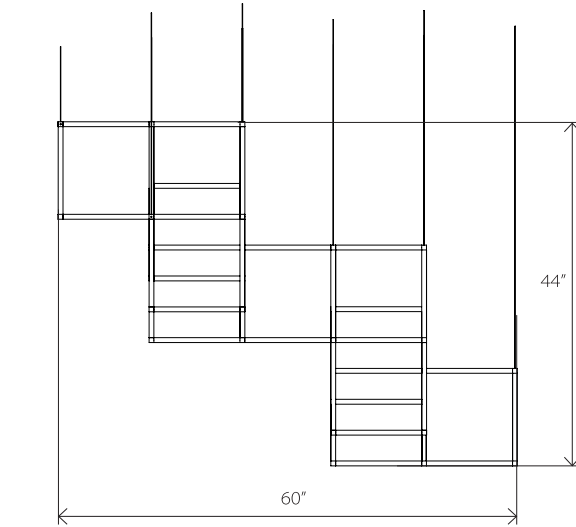
Finished Right Side View



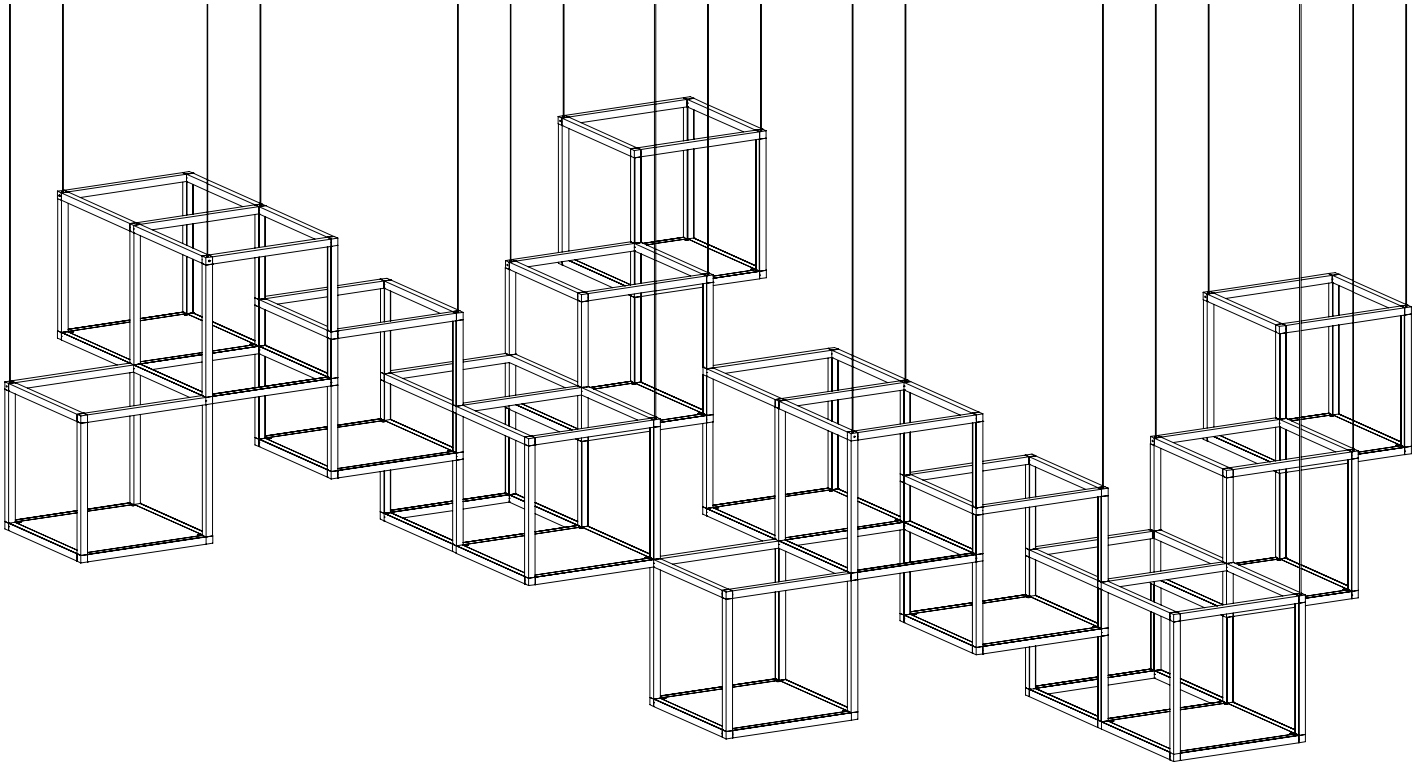
Finished Back View



Finished Left Side View



**Completed assembly**

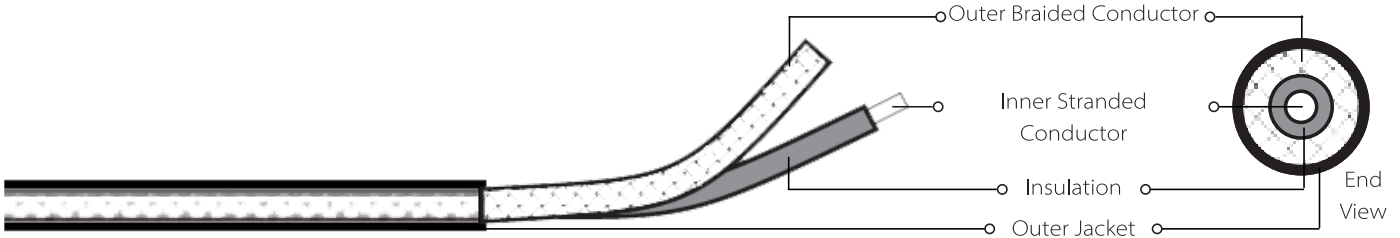




### Coax Splicing

**FAILURE TO FOLLOW THESE INSTRUCTIONS WILL VOID THE WARRANTY**

#### Coaxial Power Cord:



If field-cutting is required, please follow the below instructions:

1. Make a 1" slice along the length of the cord's outer jacket (Fig. 1). **CAUTION: Do not cut through the outer braided conductor.**
2. Carefully strip the outer jacket of the cord and keep the outer braided conductors intact (Fig. 1).
3. Slide the outer braided conductor back to create a bulge and reveal the inner stranded conductor (Fig. 2).
4. Bend the cord to create an opening through the bunched-up portion of outer braided conductor, then pull out the inner stranded conductor (Fig. 3)
5. Twist together the outer braided conductor to form the negative wire of the fixture, then strip 5/8" off the end of the inner stranded conductor to form the positive wire of the fixture (Fig. 4).
6. Re-splice all power cords.

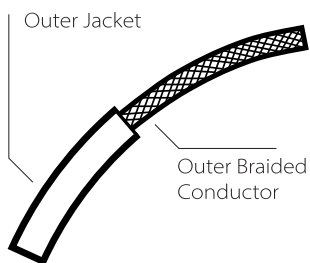


Fig. 1

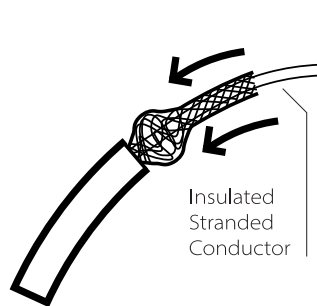


Fig. 2

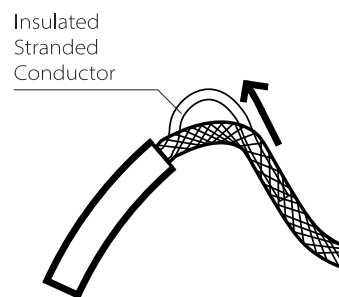


Fig. 3

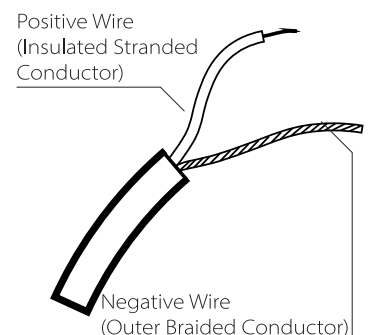


Fig. 4

### 24Z0002K Wiring reference

The red lines indicate the wiring path for both the red and black wires from 24SKP06 to Panel and the paths for Light Panel to Light Panel. (See Fig. A for example of how to place wire nuts.)

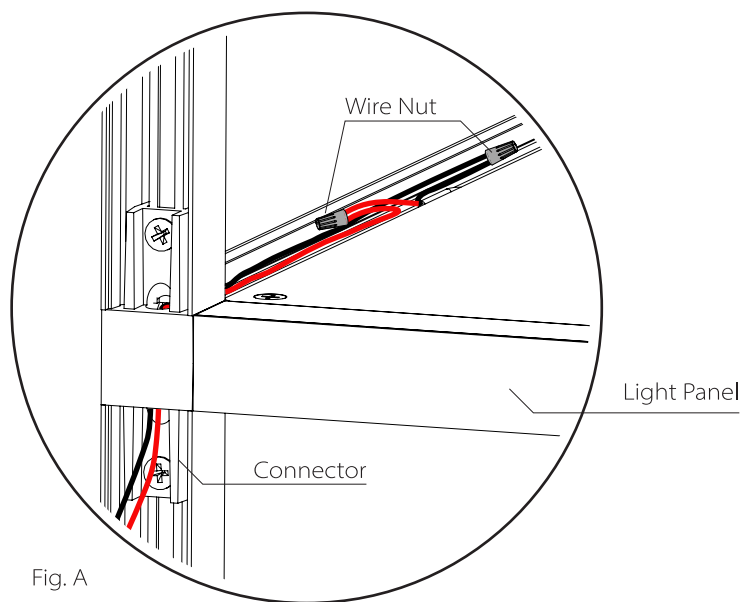
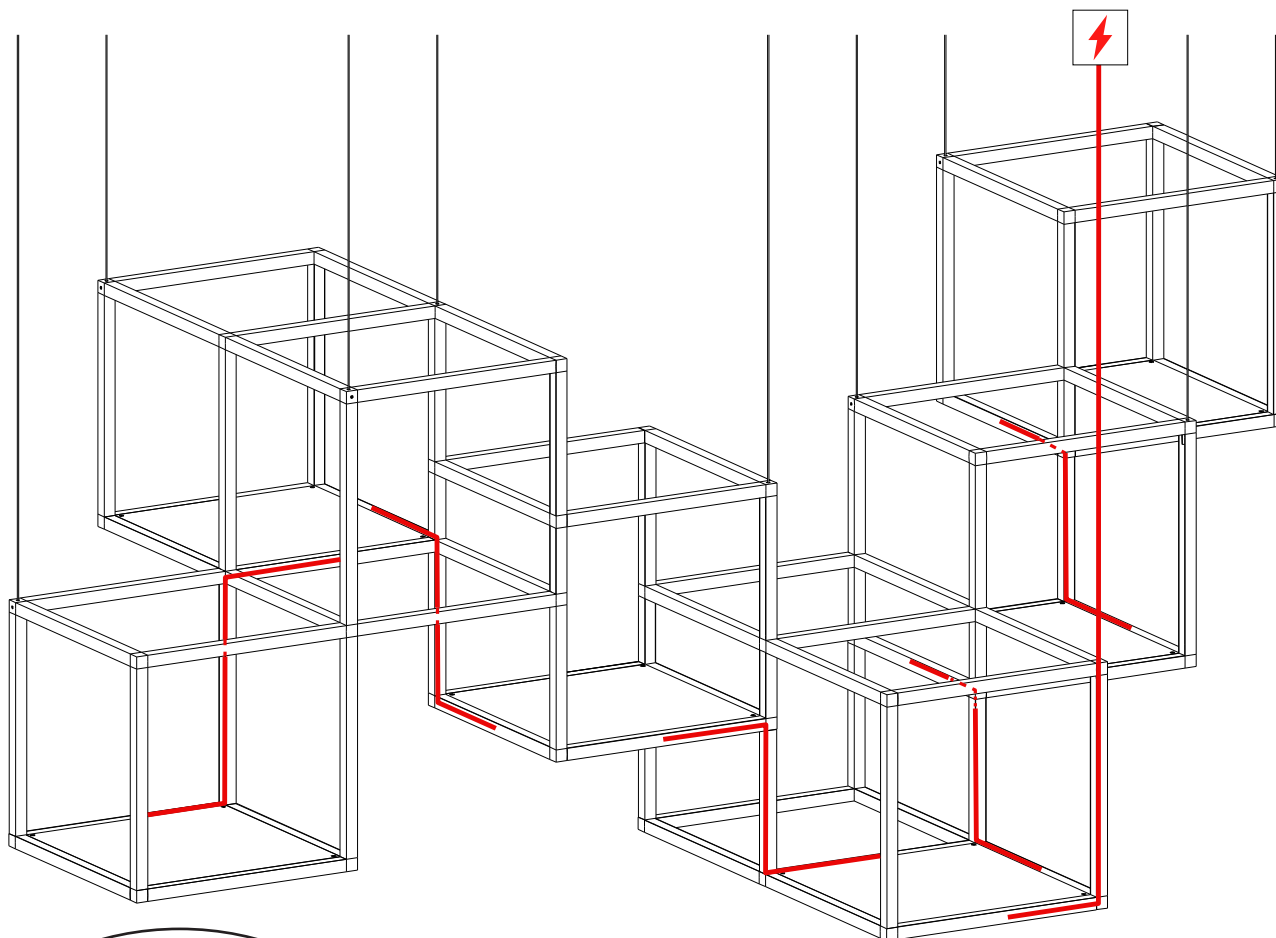


Fig. A

### 24Z0003K Wiring reference

The red lines indicate the wiring path for both the red and black wires from 24SKP06 to Panel and the paths for Light Panel to Light Panel. (See Fig. B for example of how to place wire nuts.)

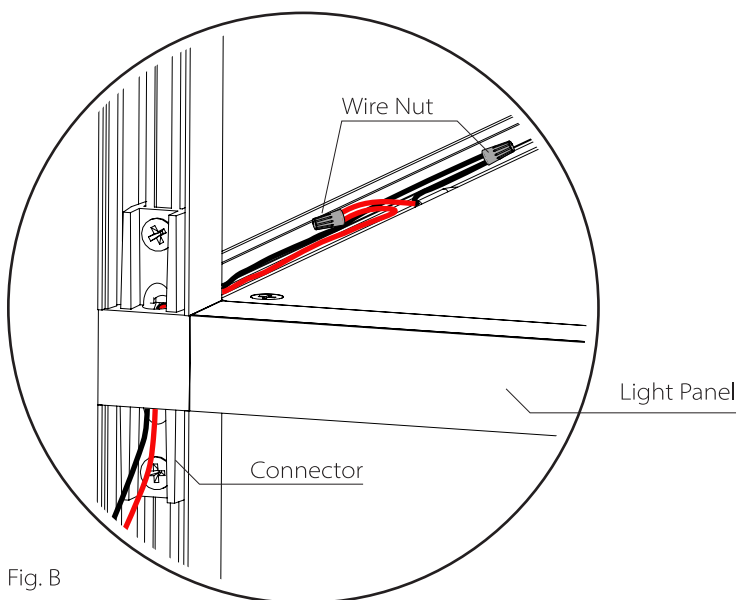
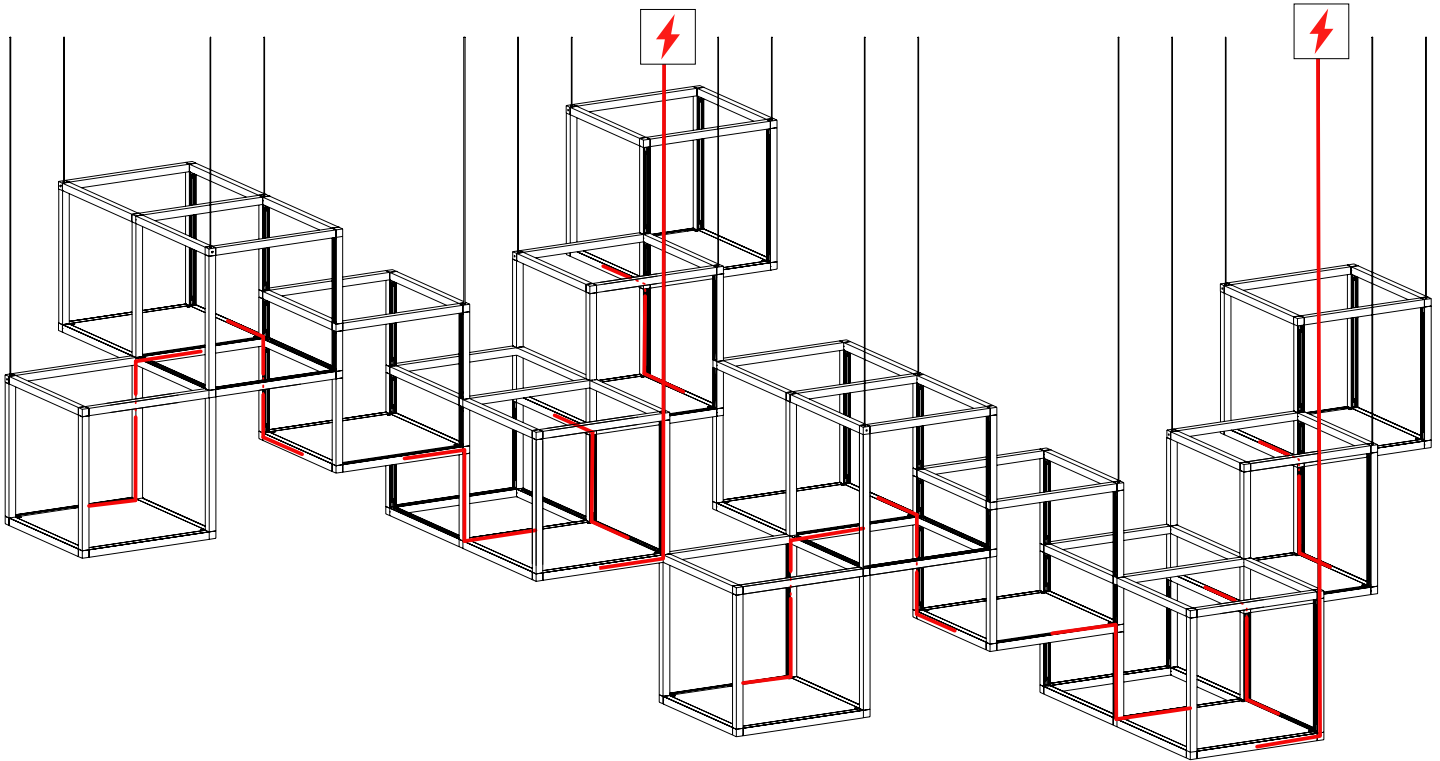


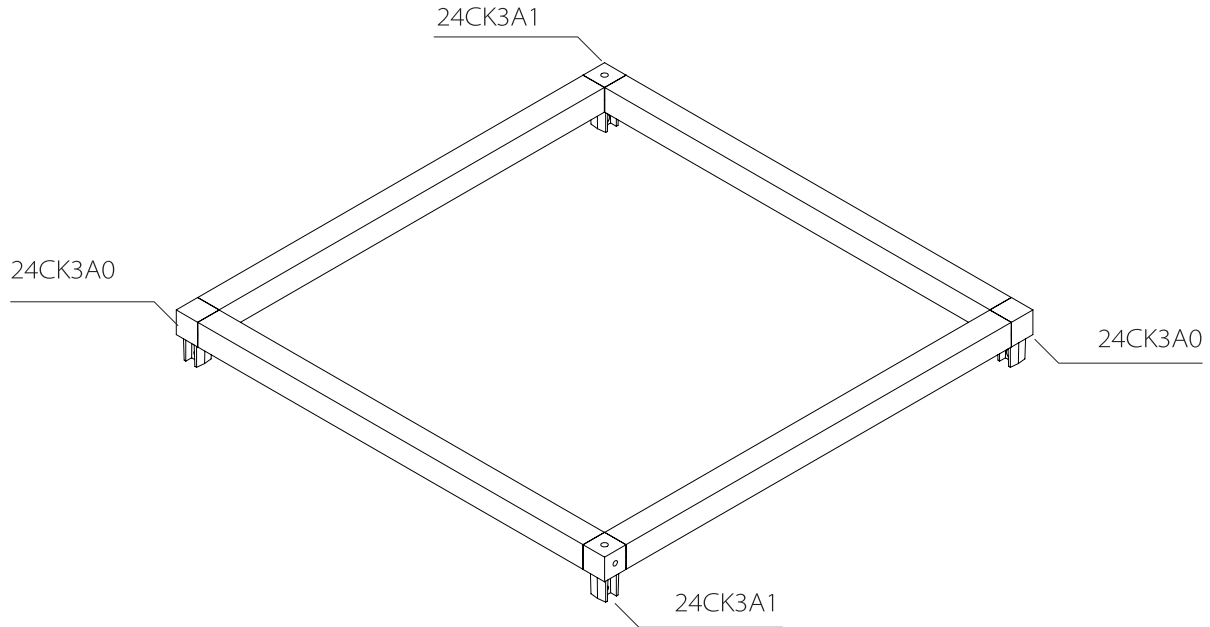
Fig. B

# Assembly Instructions

## Appendix C

**24CK3A1:** 3-arm Type A Hanging Connector

**24CK3A0:** 3-arm Type A Connector

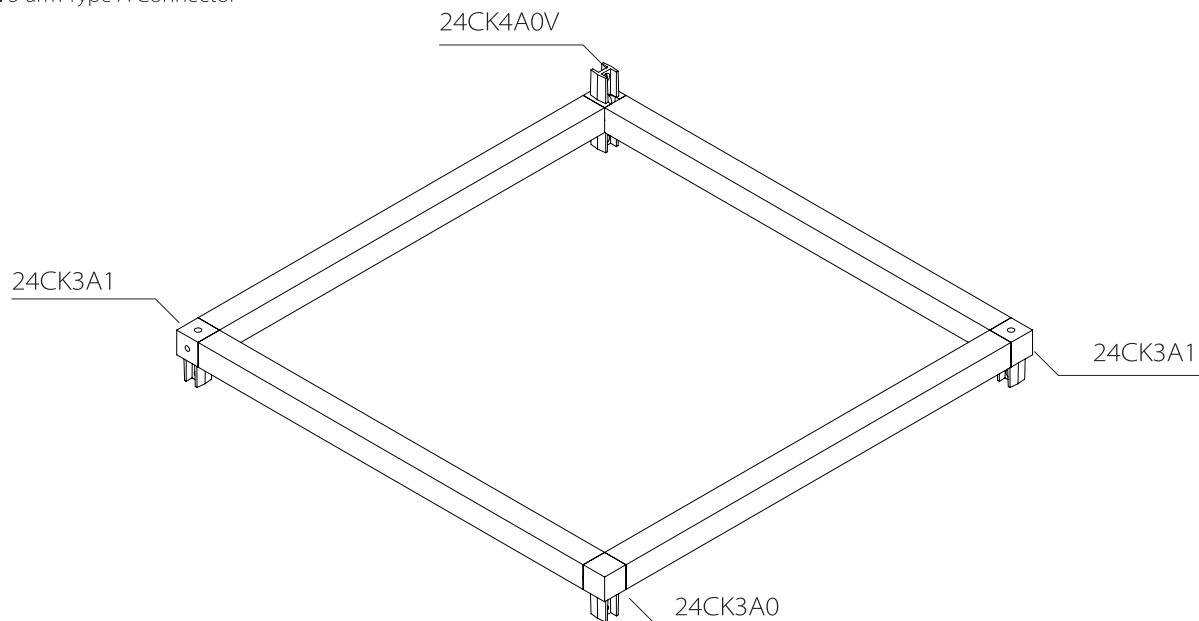


24KK1HFAA

**24CK4A0V:** 4-arm Vertical Type A Connector

**24CK3A1:** 3-arm Type A Hanging Connector

**24CK3A0:** 3-arm Type A Connector



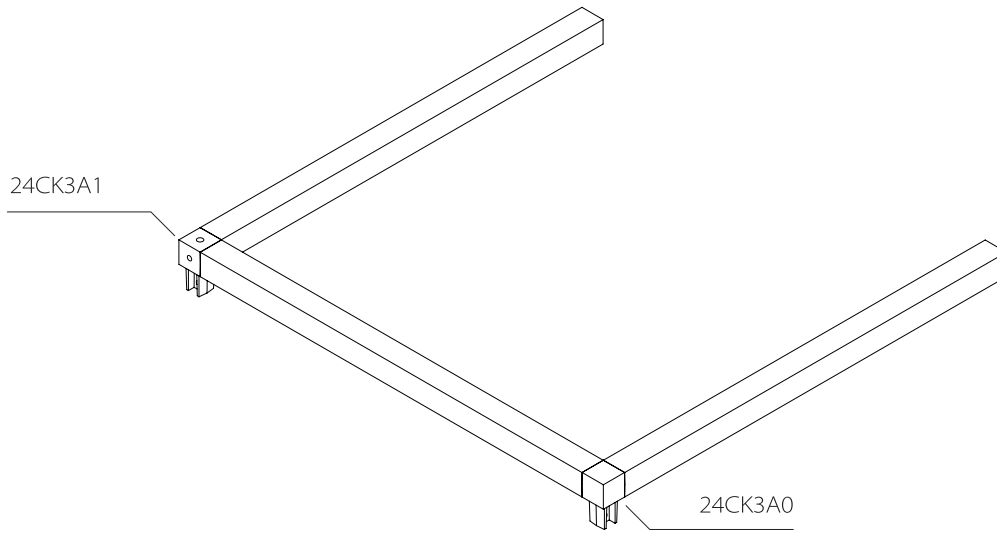
24KK1HFBA

# Assembly Instructions

## Appendix C

**24CK3A1:** 3-arm Type A Hanging Connector

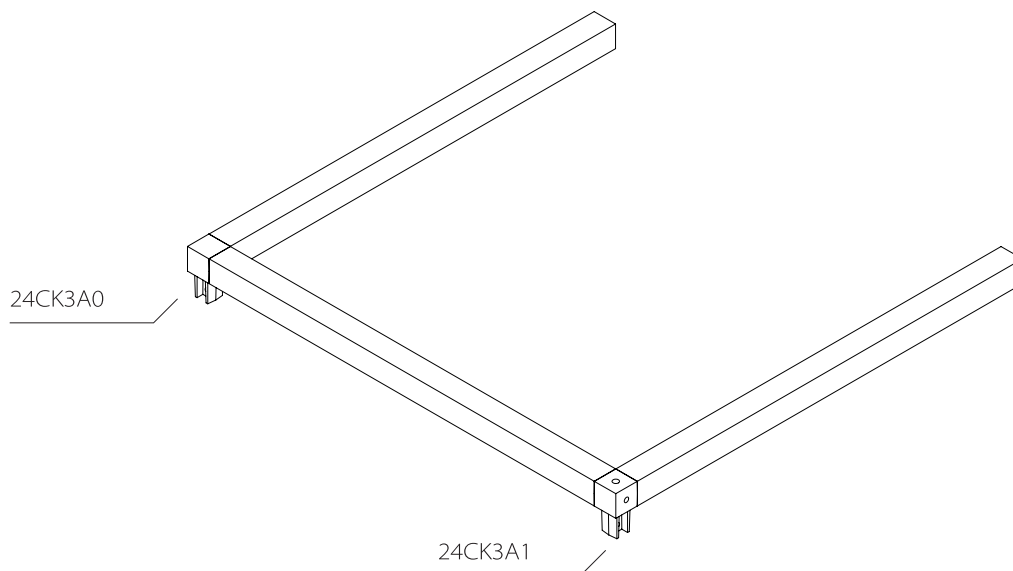
**24CK3A0:** 3-arm Type A Connector



### 24KK1HFCA

**24CK3A1:** 3-arm Type A Hanging Connector

**24CK3A0:** 3-arm Type A Connector



### 24KK1HFDA

# Assembly Instructions

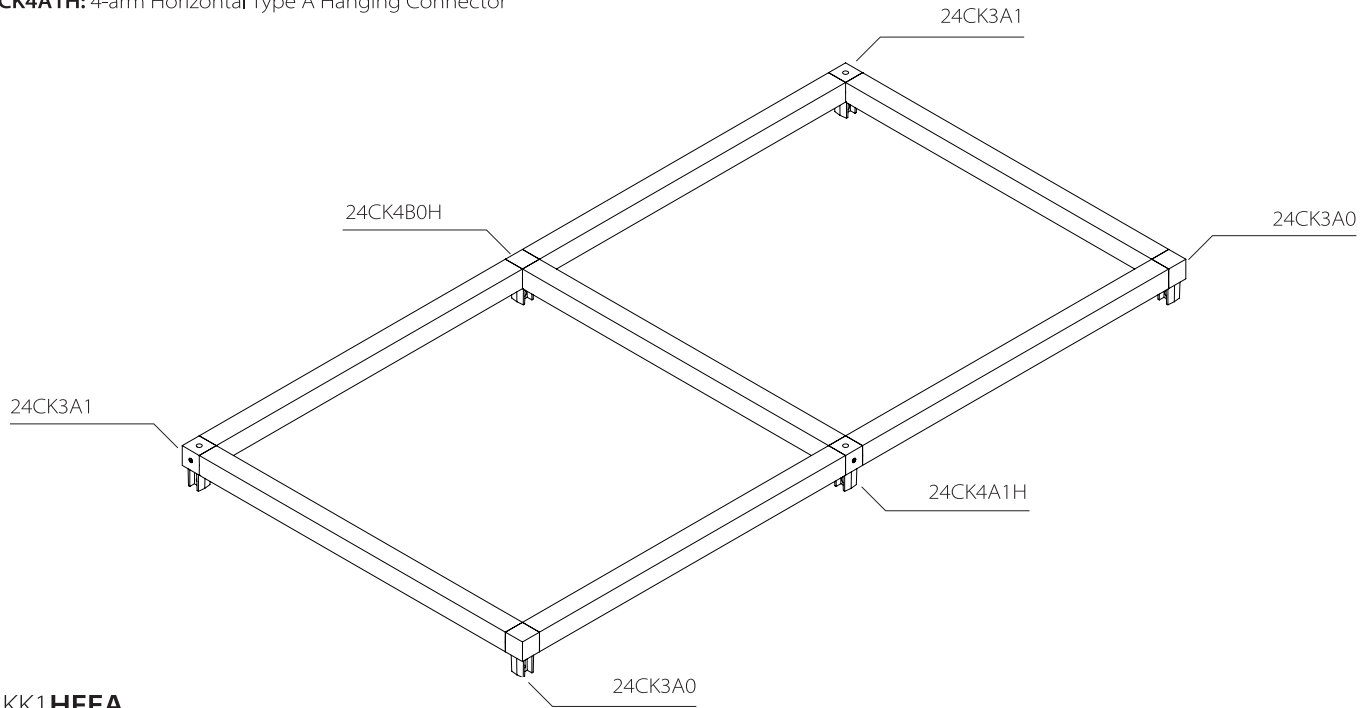
## Appendix C

**24CK3A0:** 3-arm Type A Connector

**24CK3A1:** 3-arm Type A Hanging Connector

**24CK4B0H:** 4-arm Horizontal Type B Connector

**24CK4A1H:** 4-arm Horizontal Type A Hanging Connector



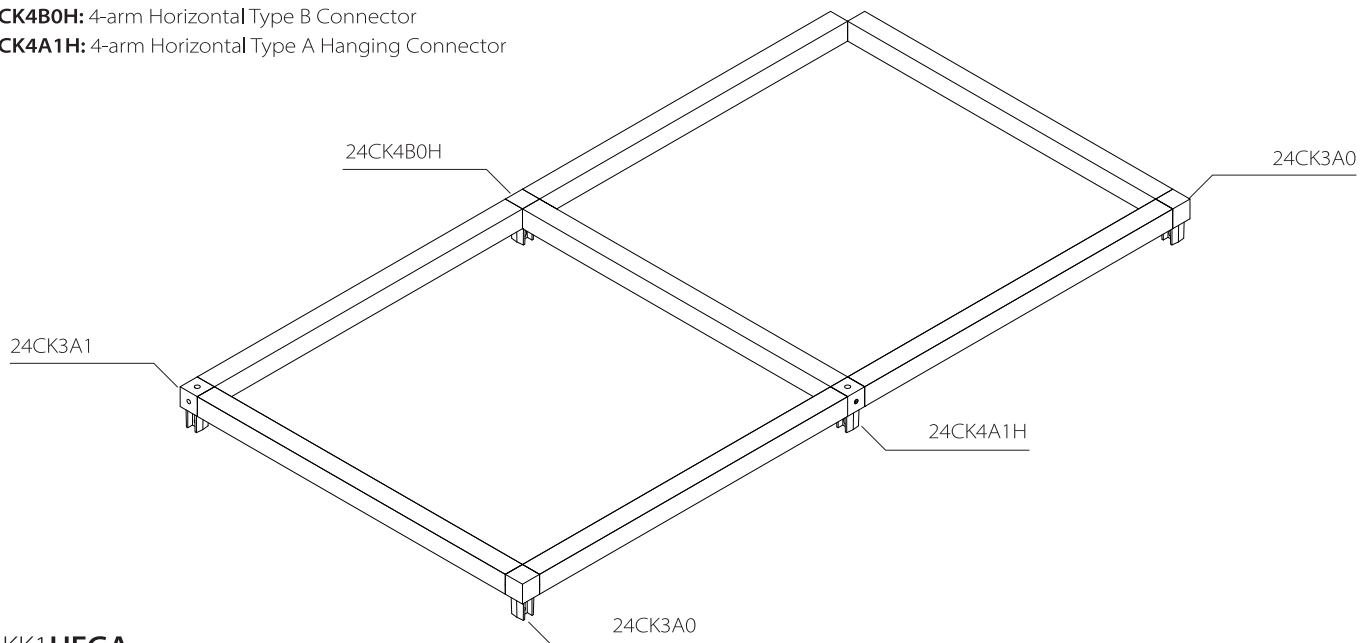
24KK1HFEA

**24CK3A0:** 3-arm Type A Connector

**24CK3A1:** 3-arm Type A Hanging Connector

**24CK4B0H:** 4-arm Horizontal Type B Connector

**24CK4A1H:** 4-arm Horizontal Type A Hanging Connector

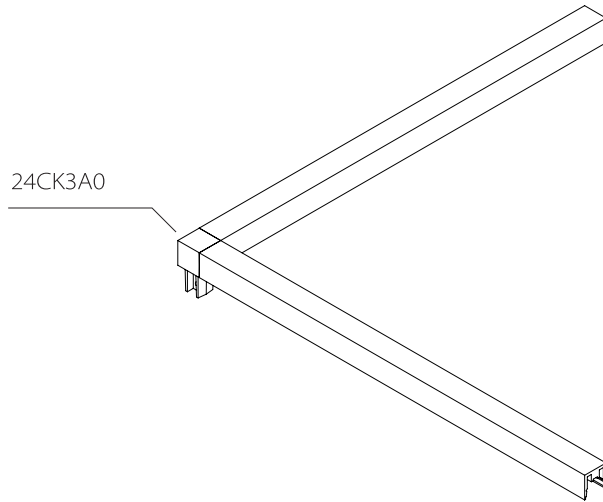


24KK1HFGA

# Assembly Instructions

## Appendix C

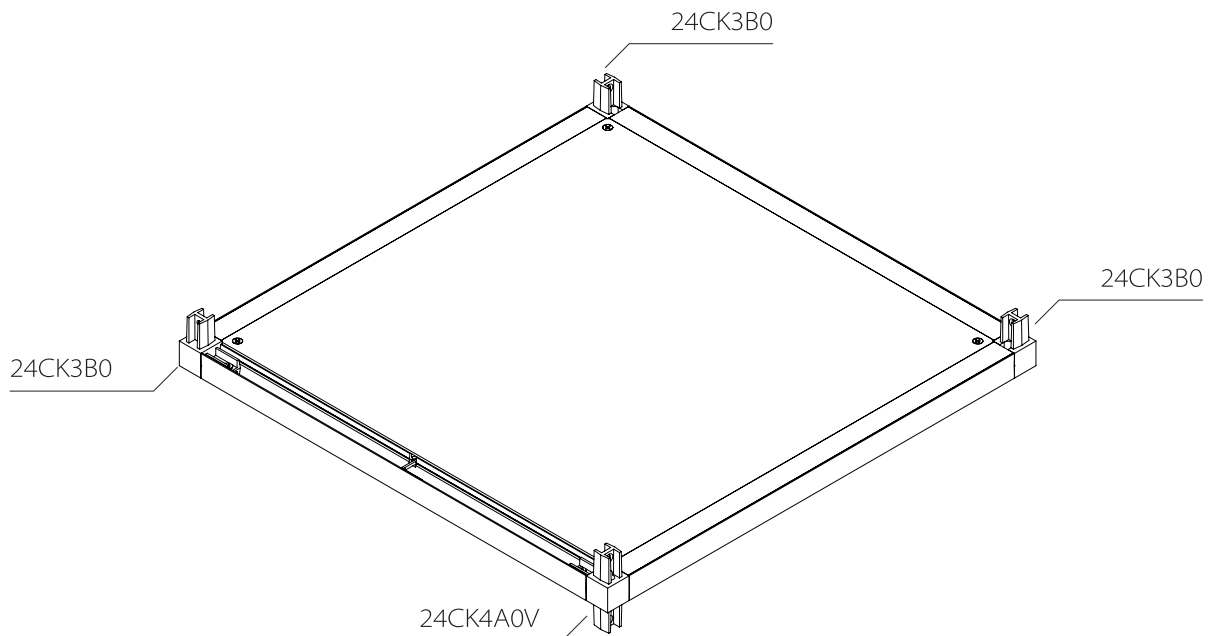
**24CK3A0:** 3-arm Type A Connector



24KK1 **HFHA**

**24CK3B0:** 3-arm Type B Connector

**24CK4A0V:** 4-arm Vertical Type A Connector



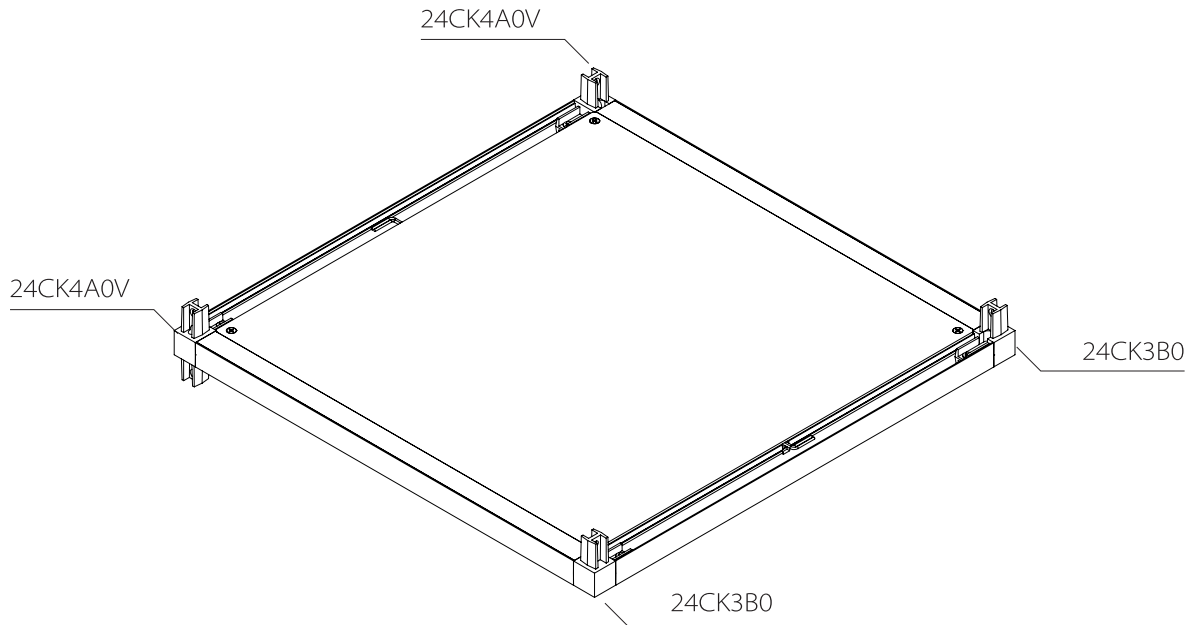
24KK1 **LPAA**

# Assembly Instructions

## Appendix C

**24CK4A0V:** 4-arm Vertical Type A Connector

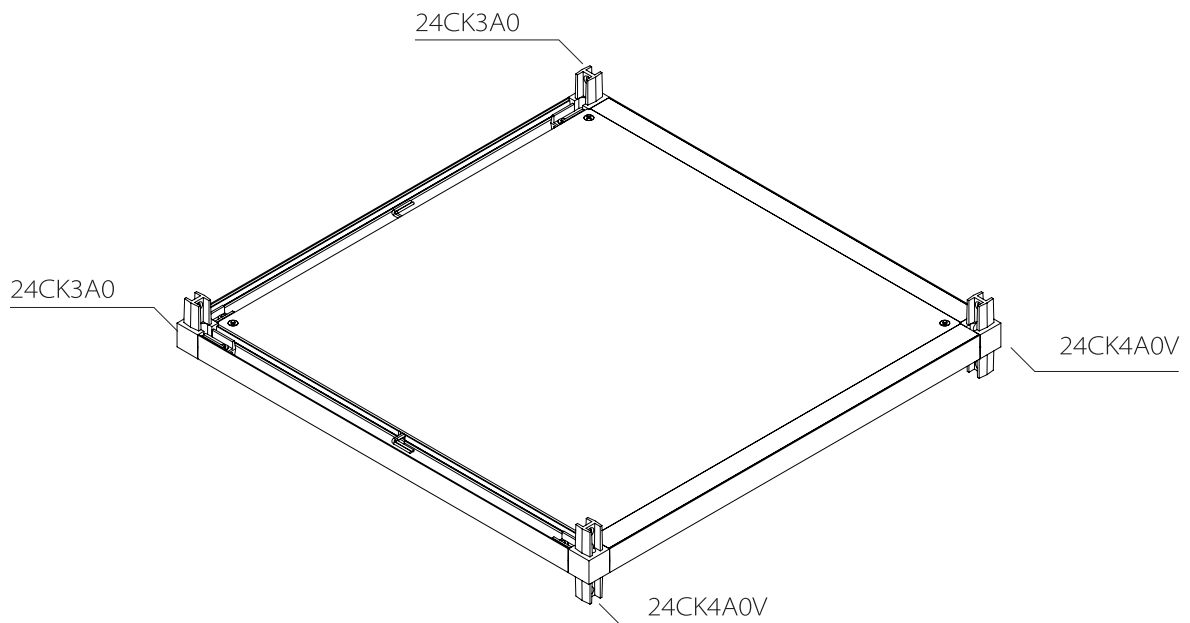
**24CK3B0:** 3-arm Type B Connector



24KK1LPBA

**24CK3A0:** 3-arm Type A Connector

**24CK4A0V:** 4-arm Vertical Type A Connector



24KK1LPCA



# Assembly Instructions

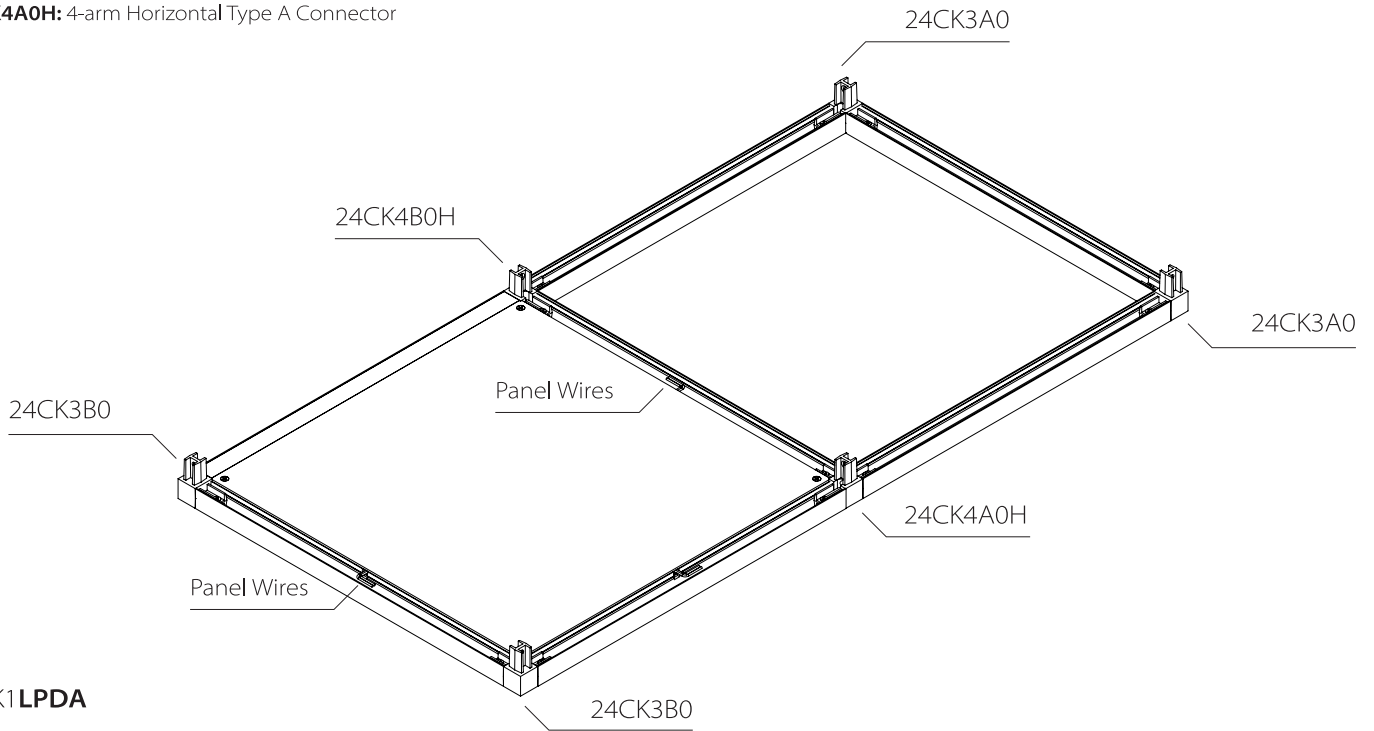
## Appendix C

**24CK3A0:** 3-arm Type A Connector

**24CK3B0:** 3-arm Type B Connector

**24CK4B0H:** 4-arm Horizontal Type B Connector

**24CK4A0H:** 4-arm Horizontal Type A Connector



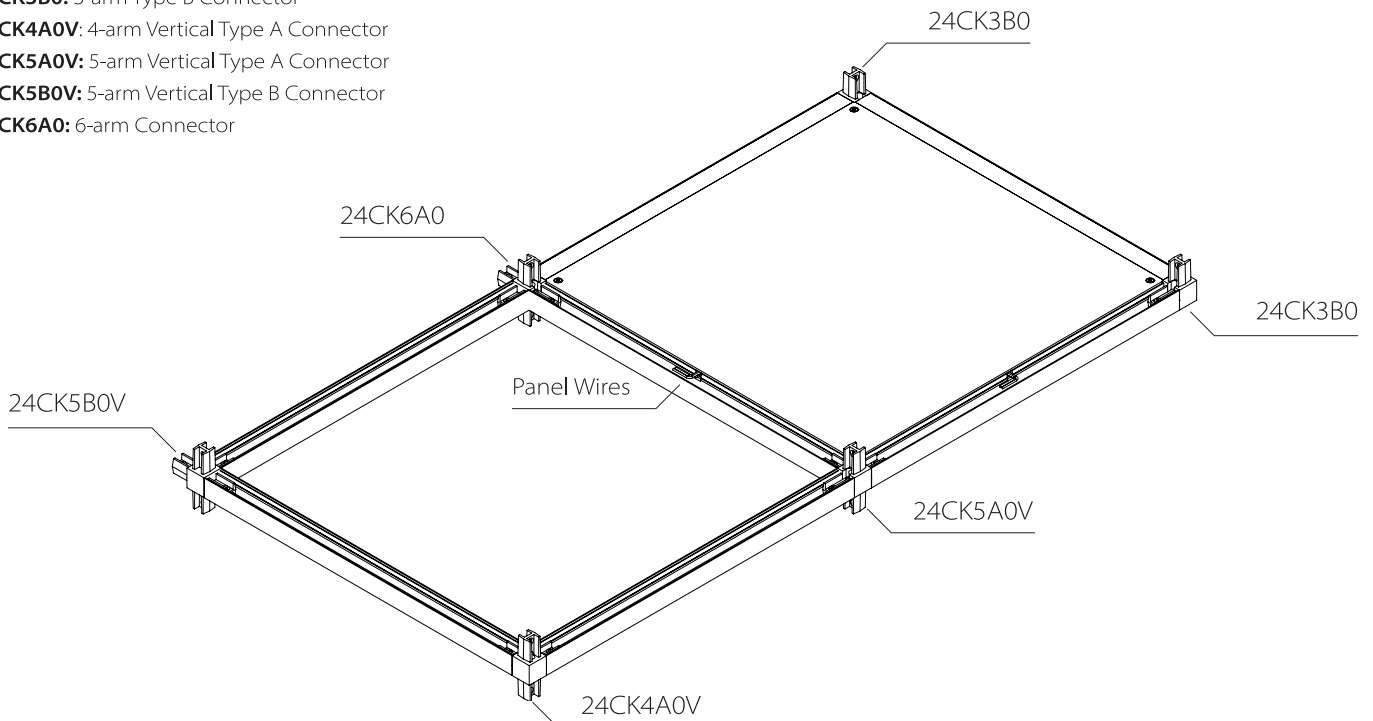
**24CK3B0:** 3-arm Type B Connector

**24CK4A0V:** 4-arm Vertical Type A Connector

**24CK5A0V:** 5-arm Vertical Type A Connector

**24CK5B0V:** 5-arm Vertical Type B Connector

**24CK6A0:** 6-arm Connector

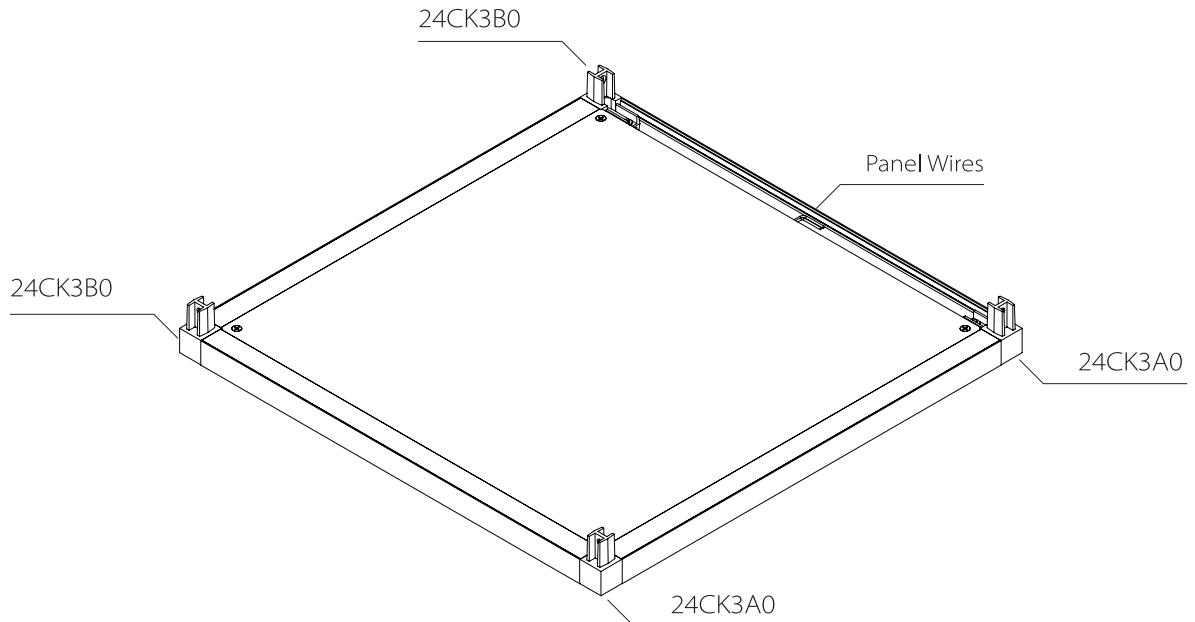


# Assembly Instructions

## Appendix C

**24CK3A0:** 3-arm Type A Connector

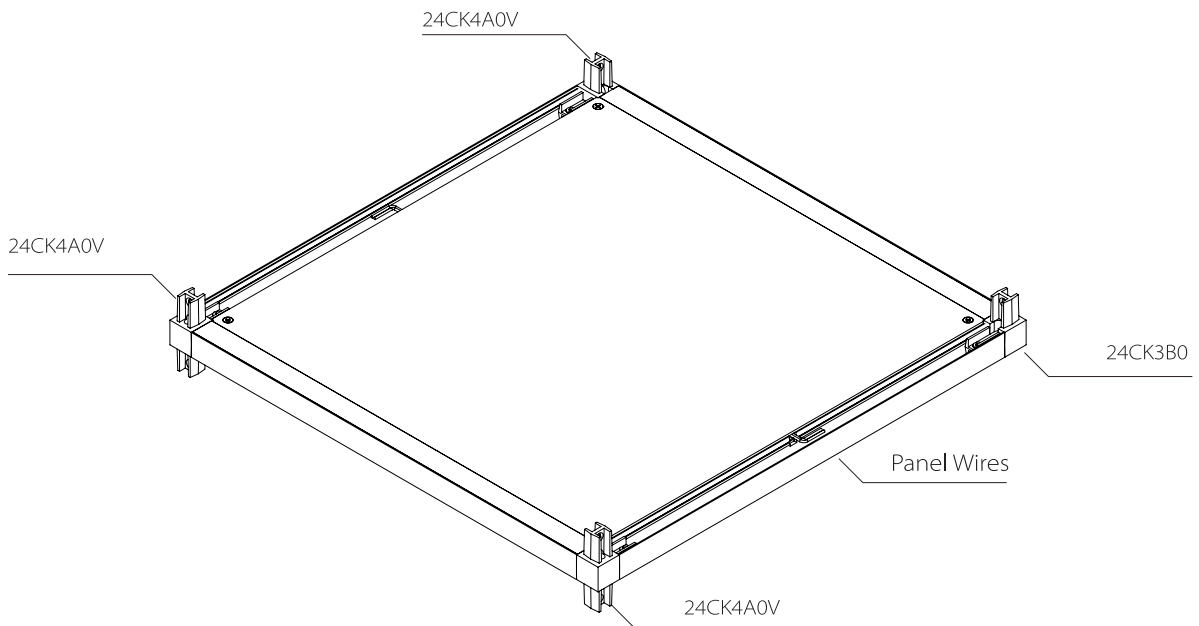
**24CK3B0:** 3-arm Type B Connector



24KK1LPFA

**24CK4A0V:** 4-arm Vertical Type A Connector

**24CK3B0:** 3-arm Type B Connector



24KK1LPGA

# Assembly Instructions

## Appendix C

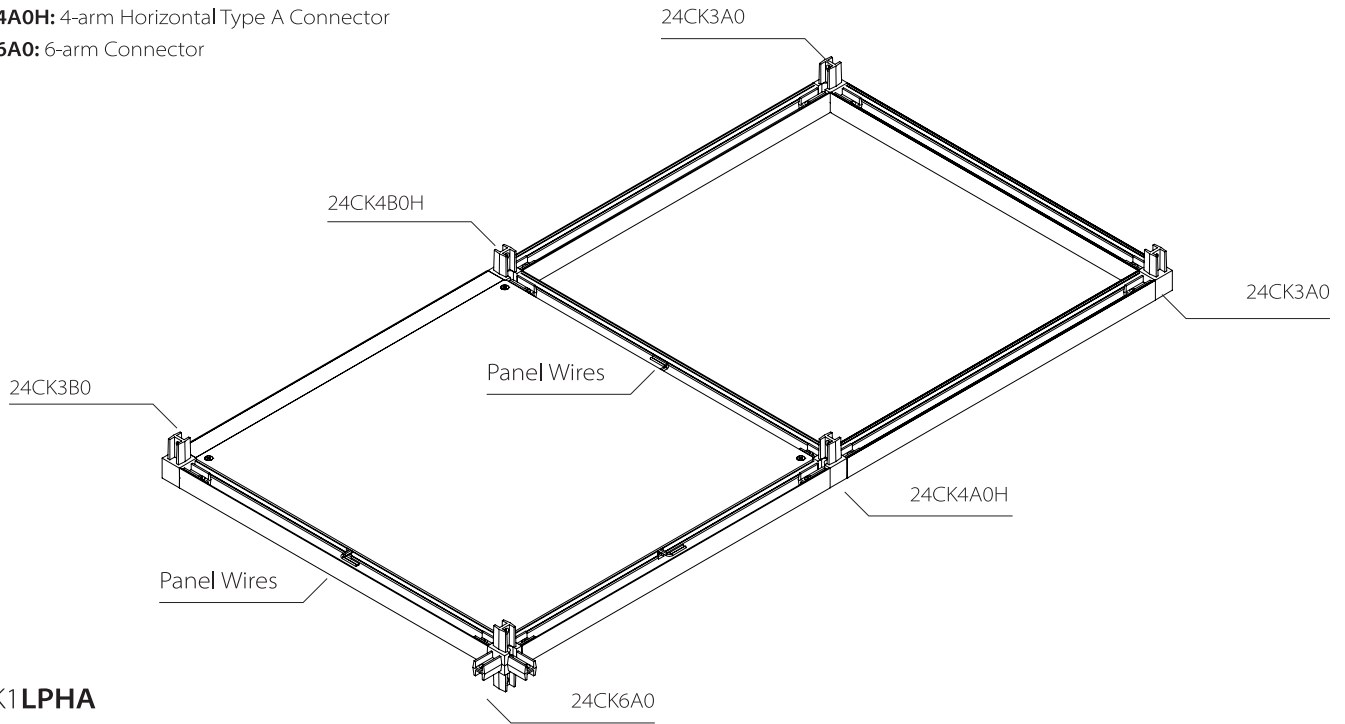
**24CK3A0:** 3-arm Type A Connector

**24CK3B0:** 3-arm Type B Connector

**24CK4B0H:** 4-arm Horizontal Type B Connector

**24CK4A0H:** 4-arm Horizontal Type A Connector

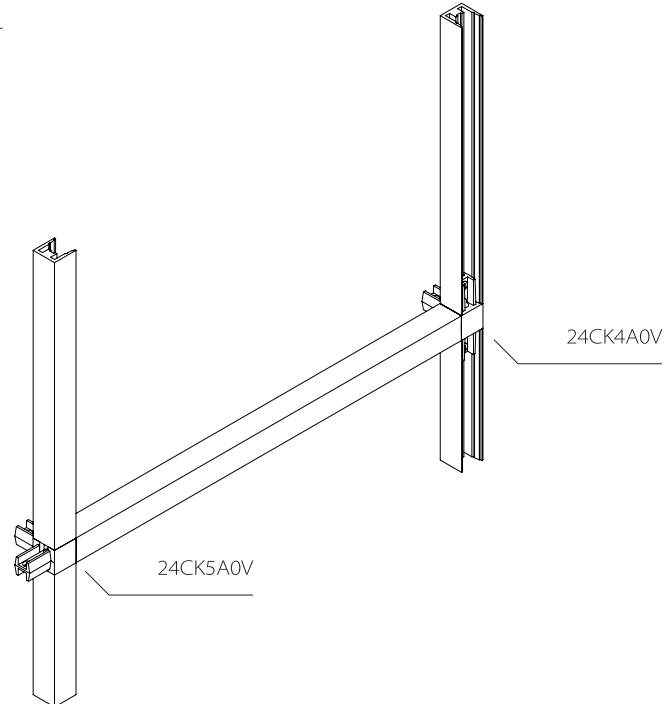
**24CK6A0:** 6-arm Connector



**24KK1LPHA**

**24CK4A0V:** 4-arm Vertical Type A Connector

**24CK5A0V:** 5-arm Vertical Type A Connector



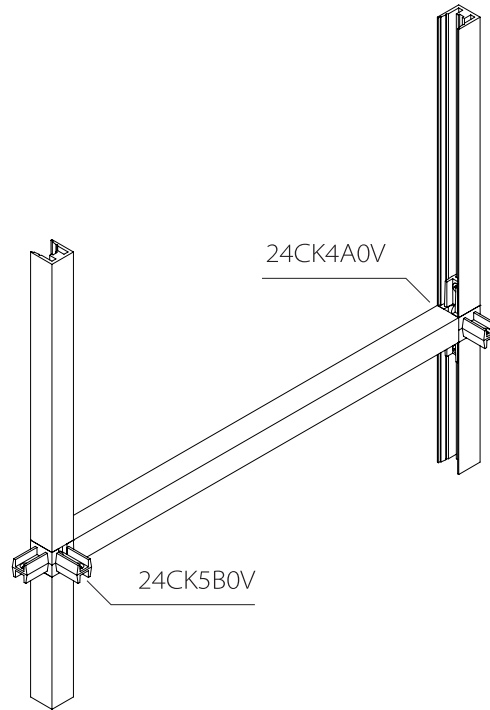
**24KK1VFAA**

# Assembly Instructions

## Appendix C

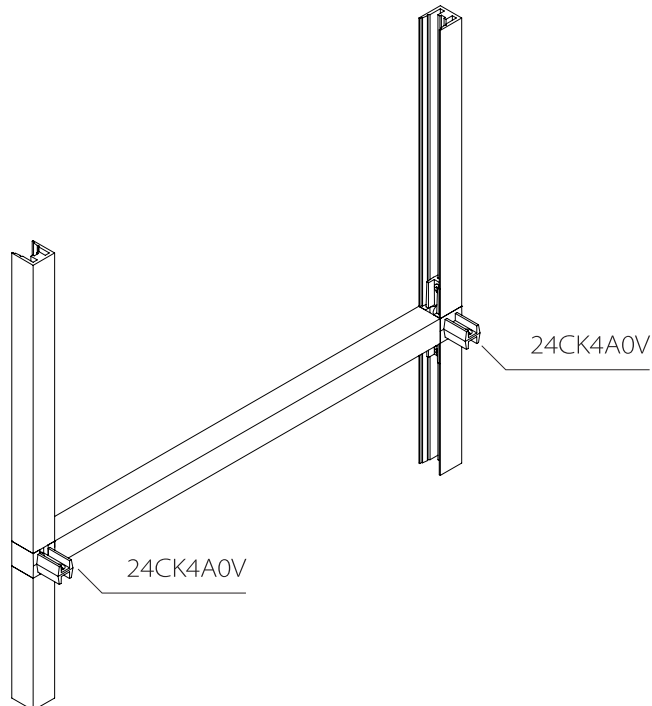
**24CK4A0V:** 4-arm Vertical Type A Connector

**24CK5B0V:** 5-arm Vertical Type B Connector



**24KK1VFBA**

**24CK4A0V:** 4-arm Vertical Type A Connector

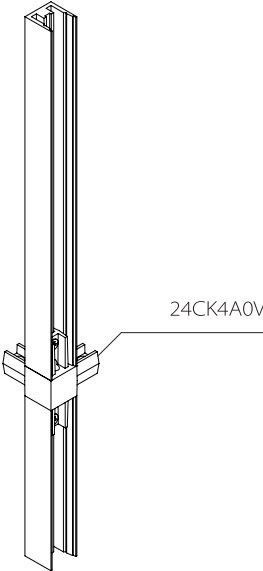


**24KK1VFCA**

# Assembly Instructions

## Appendix C

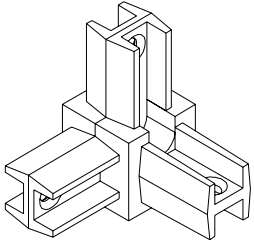
**24CK4A0V:** 4-arm Vertical Type A Connector



**24KK1VFDA**

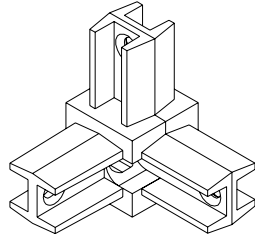
# Assembly Instructions

## Appendix C



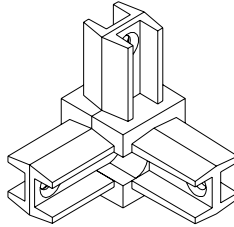
### **24CK3A0**

3-arm Type A Connector



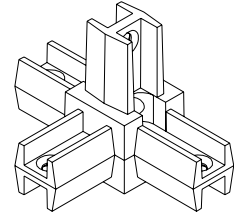
### **24CK3A1**

3-arm Type A Hanging Connector



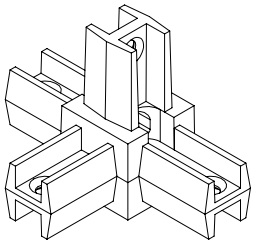
### **24CK3B0**

3-arm Type B Connector



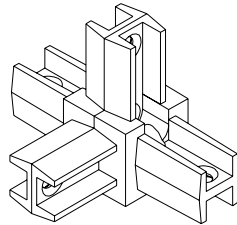
### **24CK4A0H**

4-arm Horizontal Type A Connector



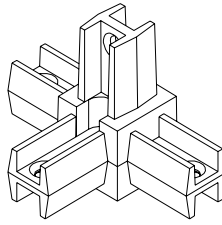
### **24CK4A1H**

4-arm Horizontal Type A Hanging Connector



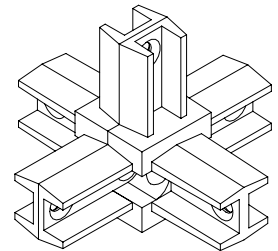
### **24CK4A0V**

4-arm Vertical Type A Connector



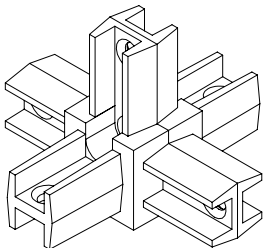
### **24CK4B0H**

4-arm Horizontal Type B Connector



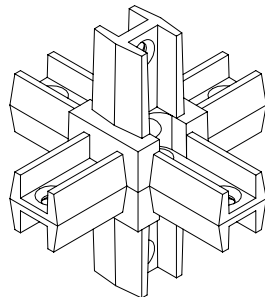
### **24CK5A0V**

5-arm Vertical Type A Connector



### **24CK5B0V**

5-arm Vertical Type B Connector



### **24CK6A0**

6-arm Connector