

ASSEMBLY INSTRUCTIONS:

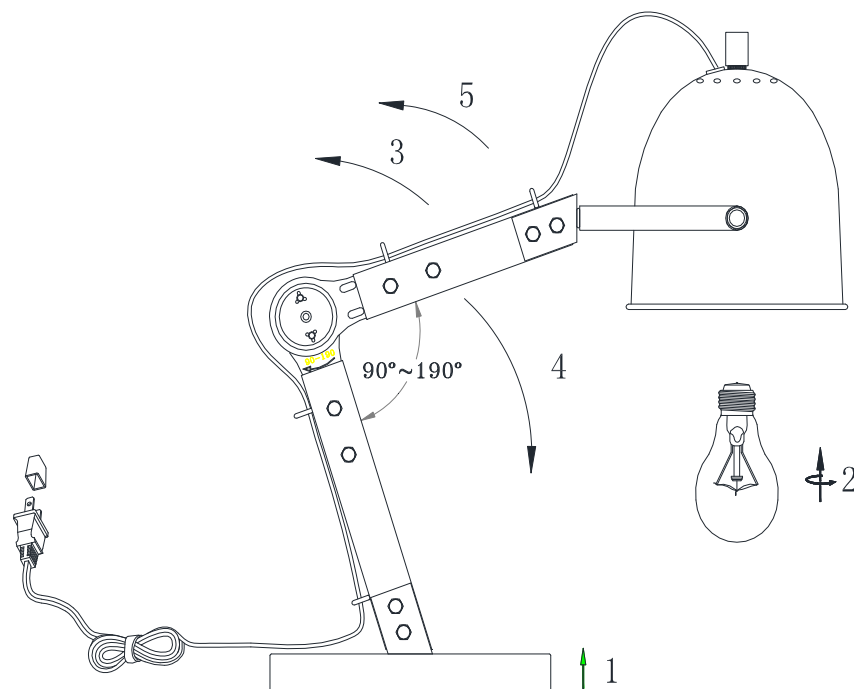
ITEM NO.: BO-2757DK

1. CAREFULLY UNPACK AND PLACE ALL PARTS ON A SMOOTH SURFACE AND LINE THEM UP AS PER THE SKETCH.
2. INSTALL THE BULB (2, NOT INCLUDED) TO THE FIXTURE (1).

****** IMPORTANT INITIAL AND FUTURE ADJUSTMENT INSTRUCTIONS ******

3. SWING THE TOP ARM ALL THE WAY UPWARD TO THE MAXIMUM ANGLE (190 DEGREES)-ENDING WITH A CLICK (3).
4. SWING THE TOP ARM ALL THE WAY DOWNWARD TO THE MINIMUM ANGLE (90 DEGREES)-ENDING WITH A CLICK (4).
5. SWING THE TOP ARM UPWARD TO THE DESIRED HEIGHT ADJUSTMENT. EACH POSSIBLE ADJUSTMENT WILL END WITH A CLICK (5). DO NOT FORCE DOWNWARD ADJUSTMENTS-TO MAKE DOWNWARD ADJUSTMENTS RETURN TO STEP 3.

6. INSERT THE POLARIZED PLUG INTO OUTLET, TURN ON THE SWITCH AND ENJOY YOUR LAMP



**USE 60 WATTAGE (MAXIMUM) TYPE
A BULB (BULB NOT INCLUDED)**

IMPORTANT SAFETY INSTRUCTIONS:

THIS PORTABLE LAMP HAS A POLARIZED PLUG (ONE BLADE IS WIDER THAN THE OTHER) AS A SAFETY FEATURE TO REDUCE THE RISK OF ELECTRIC SHOCK. THIS PLUG WILL FIT IN A POLARIZED OUTLET ONLY ONE WAY. IF IT DOES NOT FIT FULLY IN THE OUTLET, REVERSE THE PLUG. IF IT STILL DOES NOT FIT, CONTACT A QUALIFIED ELECTRICIAN. NEVER USE WITH AN EXTENSION CORD UNLESS THE PLUG CAN BE FULLY AND EASILY INSERTED. DO NOT ATTEMPT TO ALTER THE PLUG.

SAVE THESE INSTRUCTIONS FOR FUTURE REFERENCE.