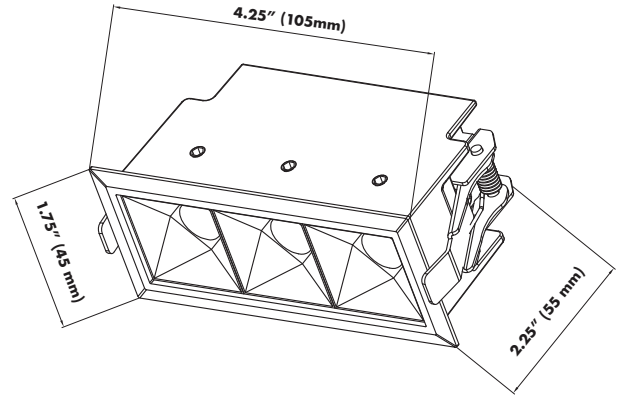


# RUBIK SERIES

## VMDL000603A009WH



PROJECT:	TYPE:	CATALOG #:	DATE:
----------	-------	------------	-------



### NOMINAL STANDARD SPECIFICATIONS

SKU:	VMDL000603A009WH
FINISH:	WHITE
LUMEN OUTPUT:	555.03
INPUT VOLTAGE:	100 - 277V
COLOR TEMPERATURE:	3000K
CRI: 90	90
DIMMING:	0-10V
POSITIONING:	FIXED
BEAM ANGLE:	34°
WATTAGE:	8.6 W
CUT OUT:	0.59"
ENVIRONMENT:	DRY / IP20
MOUNTING:	SURFACE

### FEATURES

- LED Fixed trim downlight, RUBIK Series
- Aluminum body structure available in White finish
- Integrated LED 3-spot fixture, recessed installation
- IC Rated
- DIMENSIONS: 4.25"L x 1.75"W x 2.25"H
- HOLE SIZE: 4"L x 1.5"W
- BRIGHTNESS: 555.03 Lumens
- IP Rate: IP20
- ETL, cETL, Title 20 Compliant, Title 24 Compliant, Prop 65 Compliant, Energy Star Compliant
- 3 Year Limited Warranty

\*\*\*THE MEASUREMENTS ARE ROUNDED TO THE NEAREST 1/4"\*\*\*

### SAMPLE ORDERING SKU

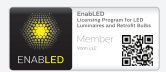
1	2	3	4	5	6
VMDL000603A009WH	03	WH	30K	B34	
1 - SKU	2 - WATTAGE	3 - FINISH	4 - COLOR TEMP.	5 - BEAM ANGLE	6 - OTHER OPTIONS
VMDL000603A009	009 - 8.6 W	WH - White BL - Black*	27K - 2700* 30K - 3000 35K - 3500* 40K - 4000*	B12 - 12°* B20 - 20°* B34 - 34° B48 - 48°*	EMD - EMERGENCY DRIVER EMC - EMERGENCY CIRCUIT

### NOTES

\*ANY CUSTOM MODIFICATION WILL SUBJECT TO MINIMUM ORDER QUANTITY. (M.O.Q.)

### RELATED PRODUCTS AVAILABLE:

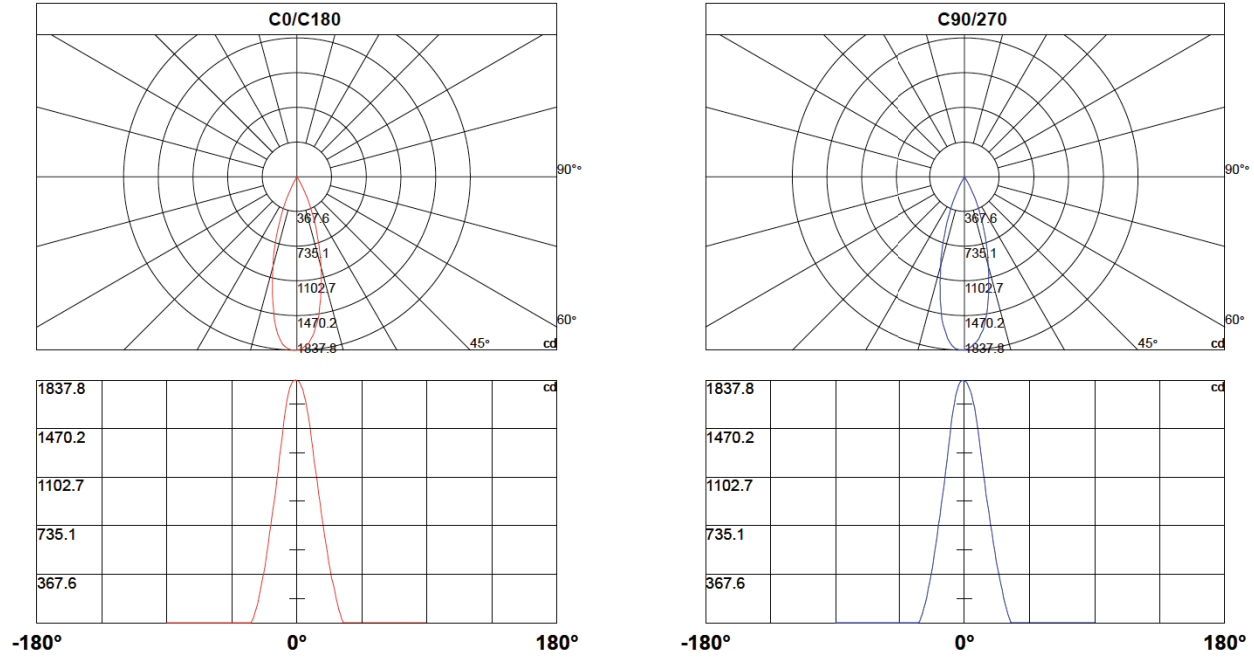
- VMDL000601B003BL
- VMDL000601B003WH
- VMDL000601R003BL
- VMDL000601R003WH



PROJECT: \_\_\_\_\_ TYPE: \_\_\_\_\_ CATALOG #: \_\_\_\_\_ DATE: \_\_\_\_\_

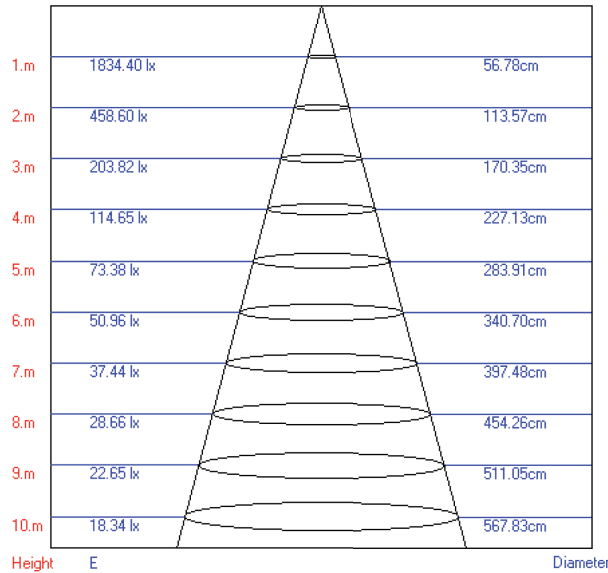
### PHOTOMETRICS

30K - 3000 - STANDARD



### BEAM ANGLE

30K - 3000 - STANDARD



Beam Angle: 31.70°