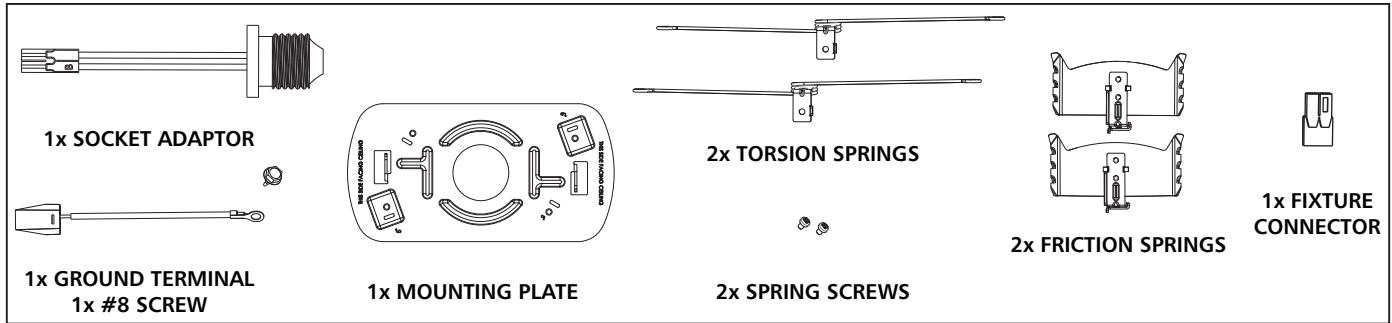


# Traverse Lyte 5" and 6" Retrofit Kit

14795 | 1.0

## GENERATION LIGHTING

### Traverse Retrofit Packaging Contents:



#### GENERAL PRODUCT INFORMATION:

This product may be dimmed with an electronic low-voltage (ELV) dimmer. For a complete list of compatible dimmers, please visit our tools & downloads section at: <http://seagulllighting.com>

For best performance, more than one fixture per dimmer may be needed in order to meet the minimum dimmer load. Refer to the dimmer manufacturer's recommendation.

**WARNING - Risk of fire or electric shock.** Luminaires wiring, power supply, or other electrical parts may be damaged when drilling for installation of retrofit assembly hardware. Inspect wiring and components for damage.

**WARNING:** Inspect for damage on all parts of the recessed can that are not intended to be replaced by the retrofit fixture and replace the damaged parts prior to installation of the retrofit fixture.

Suitable for wet locations.

**WARNING – Risk of fire or electric shock.** LED Retrofit Kit installation requires knowledge of luminaires electrical systems. If not qualified, do not attempt installation. Contact a qualified electrician.

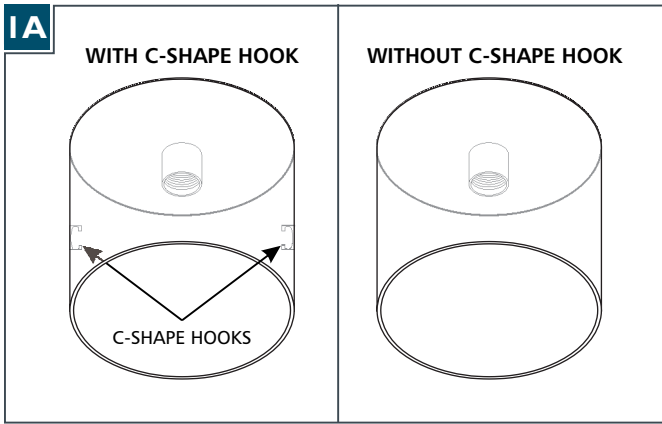
**WARNING – Risk of fire or electric shock.** Install this kit only in luminaires that have the construction features and dimensions shown in the photographs and/or drawings and where the input rating of the retrofit kit does not exceed the input rating of the luminaire.

**WARNING – To prevent wiring damage or abrasion, do not expose wiring to edges of sheet metal or other sharp objects.**

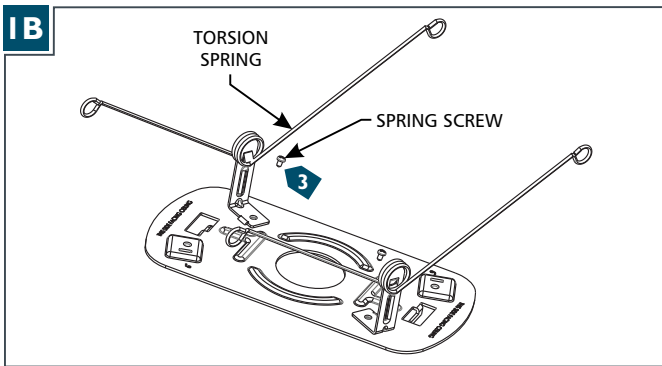
Only Those open holes indicated in the photographs and/or drawings may be made or altered as a result of kit installation. Do not leave any other open holes in an enclosure of wiring or electrical components.

Ensure all parts are included in the packaging before beginning installation.

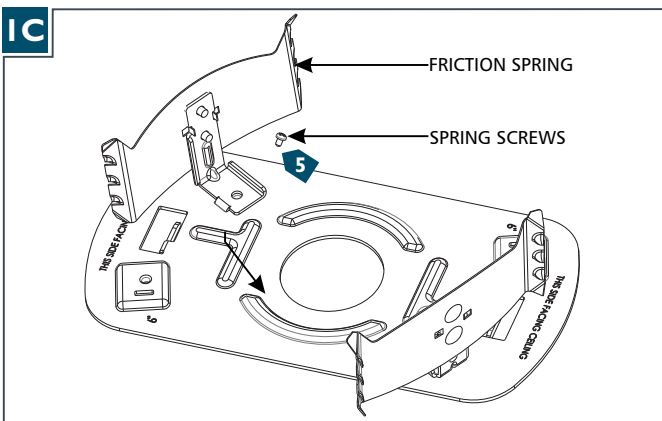
## Assemble the Fixture



- 1** Determine which kind of recessed can you have:
- For recessed cans **with** C-Shape Hooks, **continue to step 1B.**
- For recessed cans **without** C-Shape Hooks, **skip to step 1C.**

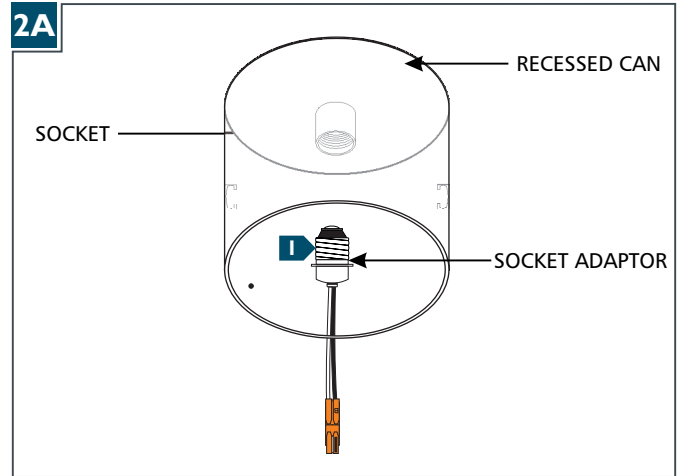


- 2** Determine if you are using a 5 or 6 inch can.
- 3** Install the torsion springs to the mounting plate holes appropriate for your recessed can using the spring screws. **Continue to step 2A**

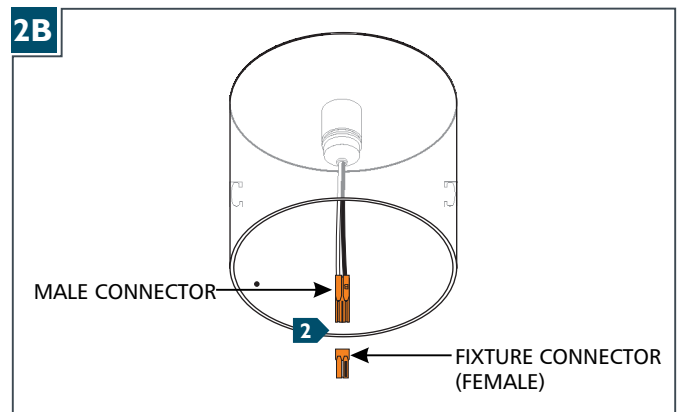


- 4** Determine if you are using a 5 or 6 inch can.
- 5** Install the friction springs to the mounting plate holes appropriate for your recessed can using the spring screws.

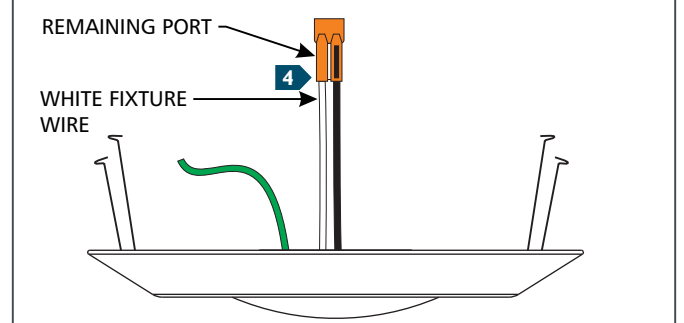
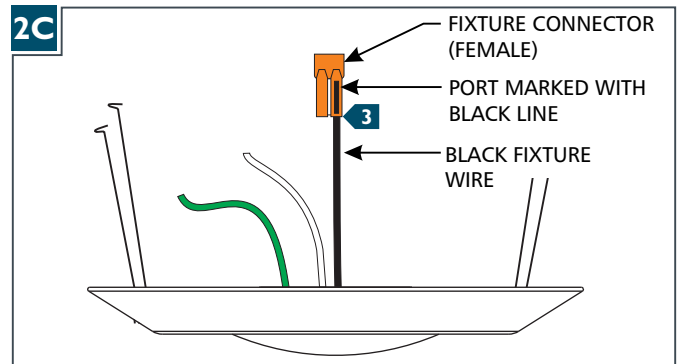
## Wire the Fixture



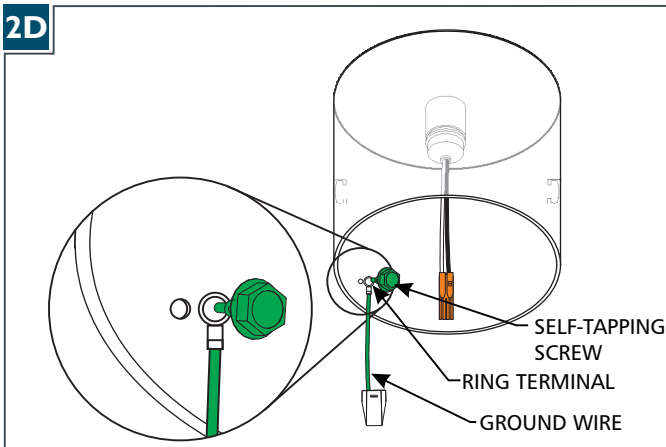
- 1** Screw the socket adaptor into the socket.



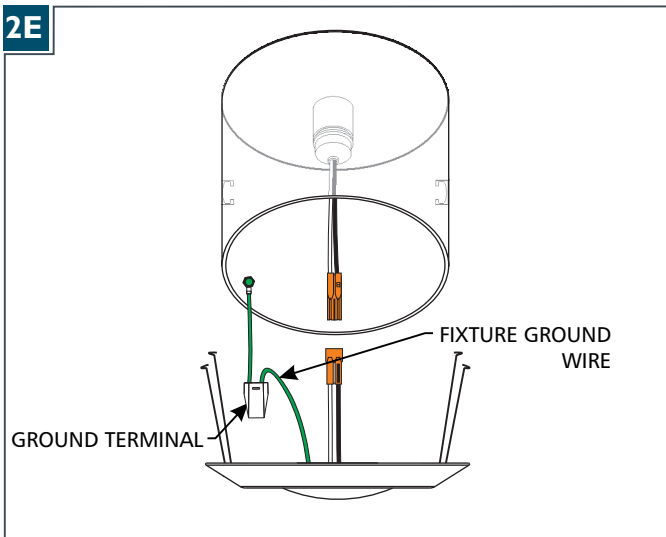
- 2** Remove the female fixture connector from the male connector.



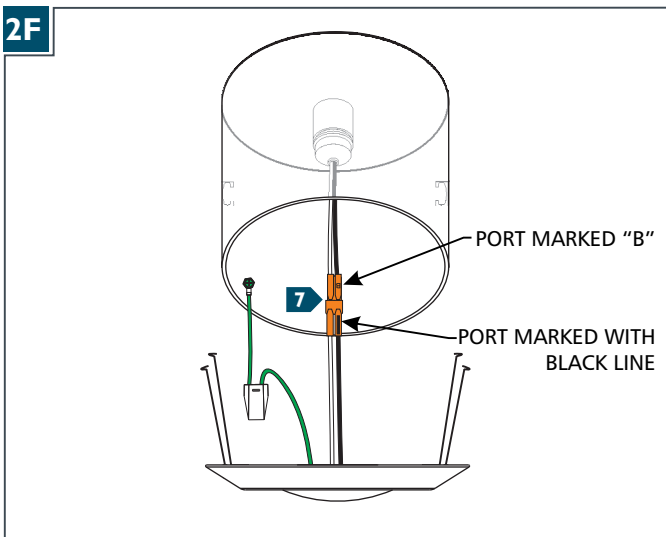
- 3** Insert the black fixture wire in the positive port (marked with black line) on the bottom socket adaptor terminal.
- 4** Insert the white fixture wire in the remaining port on the bottom socket adaptor terminal.

**2D**

**5** To attach the ground wire, use an existing screw or stud and nut inside the housing to secure the ring terminal. If these are not available, then use the provided self-tapping screw to secure the ring terminal

**2E**

**6** Insert the fixture ground wire to an available port.

**2F**

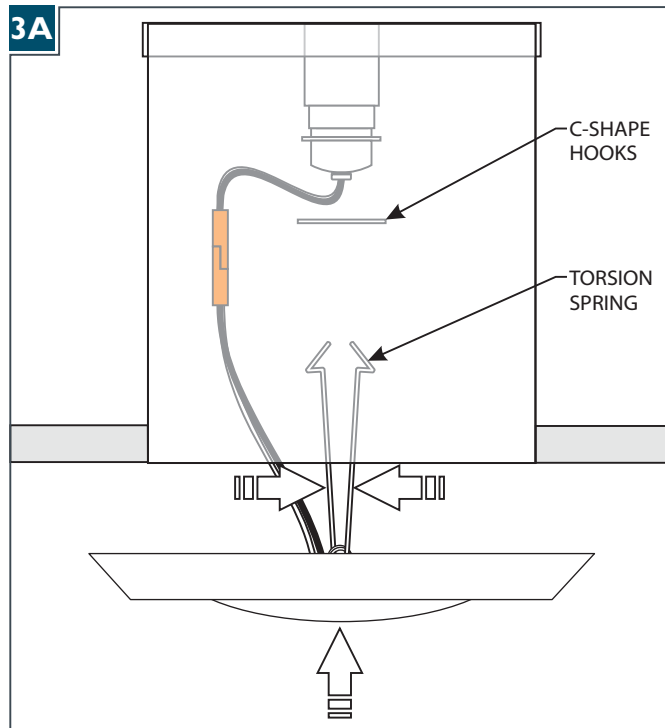
**7** Reconnect the top and bottom socket adaptor terminals. **NOTE: To ensure proper connection, the connectors have been marked with the letter B and a black line.**

## Install the Fixture

Install the fixture to the recessed can according to the mounting method used:

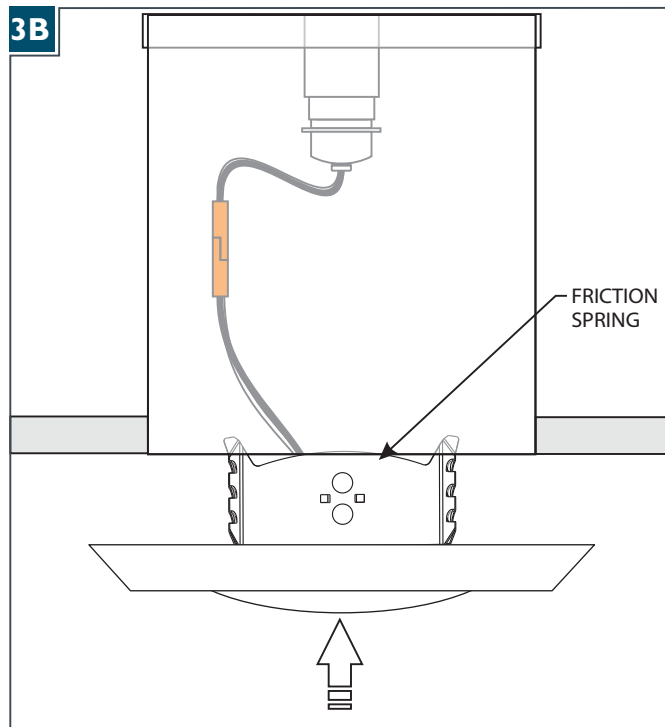
For torsion spring method, continue to step 3A

For friction spring method, skip to step 3B

**3A**

**1** Squeeze the torsion springs on each side and insert them in between the c-shaped hooks located on both sides of the recessed can.

**2** Push the fixture flush against the ceiling. **Make sure that the fixture is secure before releasing.**

**3B**

**3** Push the fixture into the recessed can so that torsion clips grip the inside walls of the can.

**4** Push the fixture flush against the ceiling. **Make sure that the fixture is fully secure before releasing.**

**GENERATION LIGHTING**

7400 Linder Ave., Skokie, IL 60077

T 847.410.4400 | F

847.410.4500

[www.visualcomfort.com](http://www.visualcomfort.com)