



# CAL LIGHTING

3625 E. Philadelphia St. Ontario CA. 91761 • Tel: 909.947.5200 • Fax:  
909.947.5673 • www.calighting.com • service@calighting.com •  
Specifications subject to change without notice

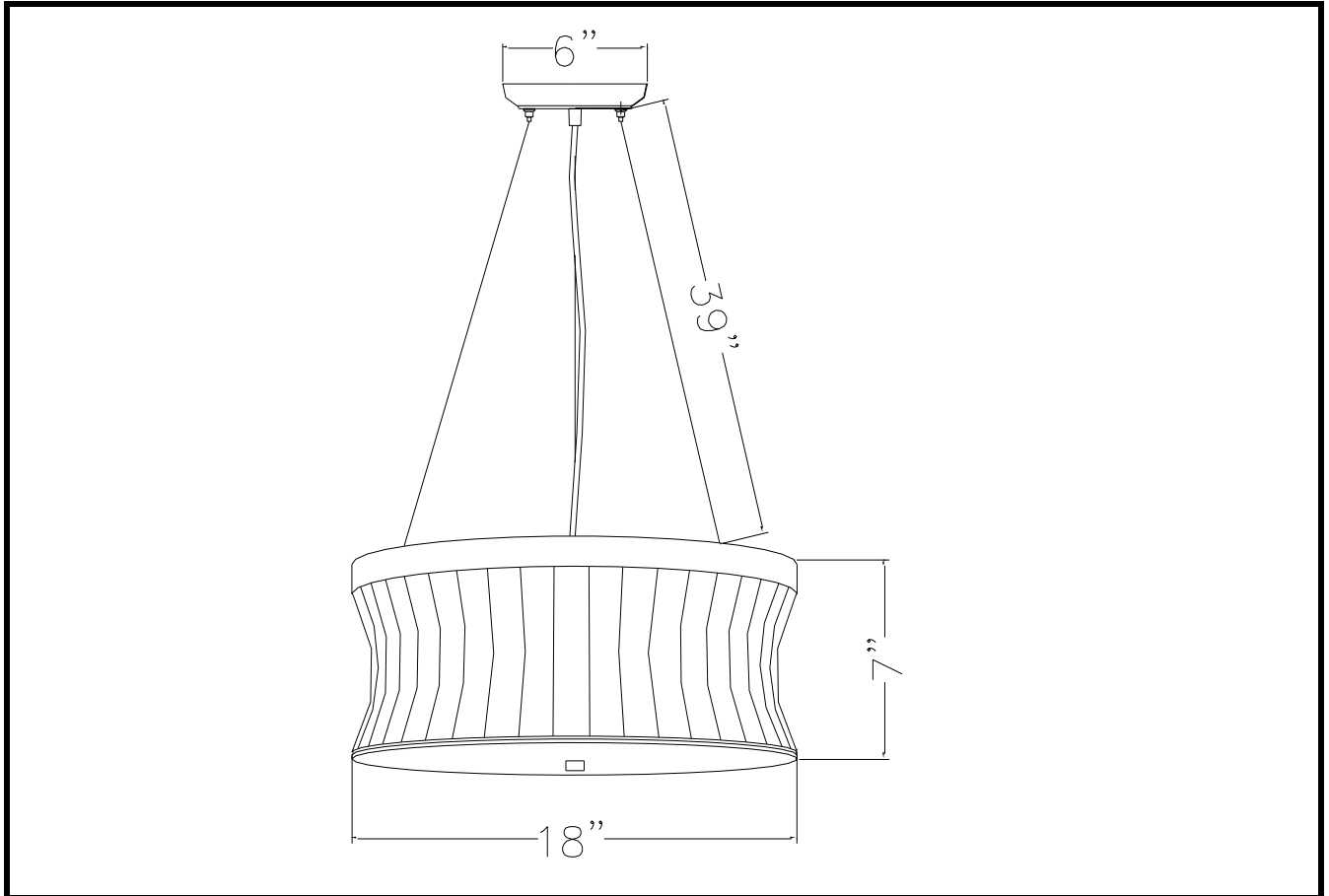
Type: \_\_\_\_\_

Project: \_\_\_\_\_

Catalog No.: \_\_\_\_\_

Lamp/Wattage: \_\_\_\_\_

## Drawing:



- Model No:** FX-3546/1P
- Description:** Delray Glass Pendant Fixture
- Material:** Metal+Glass
- Finish :** Chrome
- Height:** 7"
- Width:** 18"
- Wattage :** 60W x 3
- Socket :** Medium Base (E27)
- Bulb:** Incandescent
- Chain Length:** 6'
- Wire Length:** 10'
- Wire Color:** Silver
- Shade No:**
- Material:** Glass
- Shade size:** 18 1/2" x 6 1/2"

Certificate :

