

Model No :: **20738-BS/OPL**
 Name :: **Iron**



Project Name :: _____
 Location :: _____
 Type :: _____
 Quantity :: _____
 Notes :: _____

Product Information

Product ID :: 20738
 UPC Code :: 641594104462
 Mounting Type :: Ceiling
 Finish :: Brushed Steel (BS)
 Diffuser :: Opal (OPL)
 Alt. Finishes :: N/A
 Alt. Diffusers :: N/A

Product Dimensions

Fixture		Canopy	
Length ::	N/A	Length ::	N/A
Width ::	N/A	Width ::	N/A
Diameter ::	6.1"	Diameter ::	4.6"
Extension ::	N/A	Height ::	1"
Height ::	12"		
Overall Height ::	12"-58" Max.		



Technical Specifications

Qualifications

Location Rating :: Dry
 Certification :: cULus
 IES File :: No
 JA8 Compliant :: No
 Title 20 Compliant :: N/A
 Energy Star :: No
 ADA Compliant :: No
 Marine Grade :: No
 Emergency Lighting :: No
 Warranty :: 1 Year Limited

Specifications

Frame Material :: Steel
 Diffuser Material :: Glass
 Voltage :: 120v
 Lamping Type :: Incandescent
 Lamping Base :: E-26
 Lamp Quantity :: 1
 Lamp Wattage :: 100 W
 Total Wattage :: 100 W
 Lamps Included :: No
 J-Box Type :: Standard

Photometrics

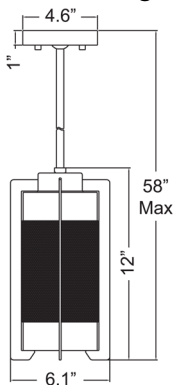
CCT :: 2700
 CRI :: N/A
 Wattage :: 100 W
 Nominal Lumens :: 1600
 Delivered Lumens :: N/A

Recommended Dimmers

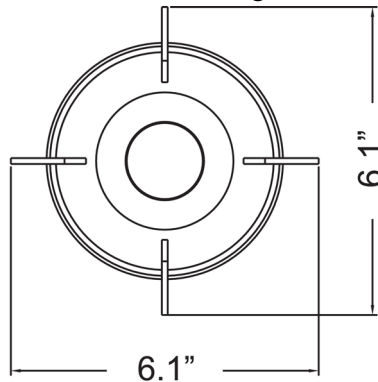
(TRIAC) Any Standard Dimmer

Custom Options :: N/A; **Additional Items** :: 6, 16, and 22-inch down rods included; 10 feet of cord included; Sloped ceiling adapter included

Line Drawing #1



Line Drawing #2



IES File

Image Not Available

Toll Free 800-828-5483 or www.AccessLighting.com

14410 Myford Road, Irvine, CA 92606

The information provided is subject to change without notice. ©2018 Access Lighting Corporation. All Rights Reserved
 Rev. 201902 Filename: 20738-BS_OPL.pdf

