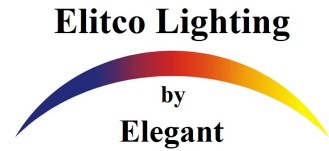


Elitco Lighting

Headquarter: 500-550 E. Erie Avenue Philadelphia, PA 19134
Toll-Free:1-888-388-3390 Tel:(215)423-8880 Fax:(215)423-8882



INSTALLATION INSTRUCTIONS

MODEL: U001

READ THIS FIRST

KEEP THESE INSTRUCTIONS

Please read these instructions carefully. Luminaires must be installed in accordance with the National Electrical Code (NEC) and local codes. Failure to do so will void the warranty and may result in serious injury and/or damage to the luminaire.

SAFETY WARNING: Luminaire can become very hot depending on lamp wattage used. Lens and metal around lamp can become hot enough to blister hands. Particular care should be taken not to locate luminaires where small children can reach them if high wattage lamps are used.

NOTE: LUMINAIRES ARE NOT TO BE INSTALLED WITHIN 10FT. (3.05M) OF A POOL OR SPA. SECONDARY CABLE IS NOT TO BE BURIED MORE THAN 6". WHEN USING MULTIPLE LUMINAIRES, LOAD IS NOT TO EXCEED THE TOTAL WATTS OF TRANSFORMER RATING. DO NOT USE EXTENSION CORDS ON POWER UNITS.

NOTE: Always use UL recognized wire connectors for connections.

ASSEMBLY AND INSTALLATION

CAUTION: LUMINAIRE INTENDED TO USE IN WATER GARDENS AND PONDS ONLY. NOT FOR USE IN SWIMMING POOL OR SPA APPLICATIONS.

1. Determine desired location for mounting luminaires.
2. To prevent electrical shock, disconnect transformer from electrical supply before installation or service.

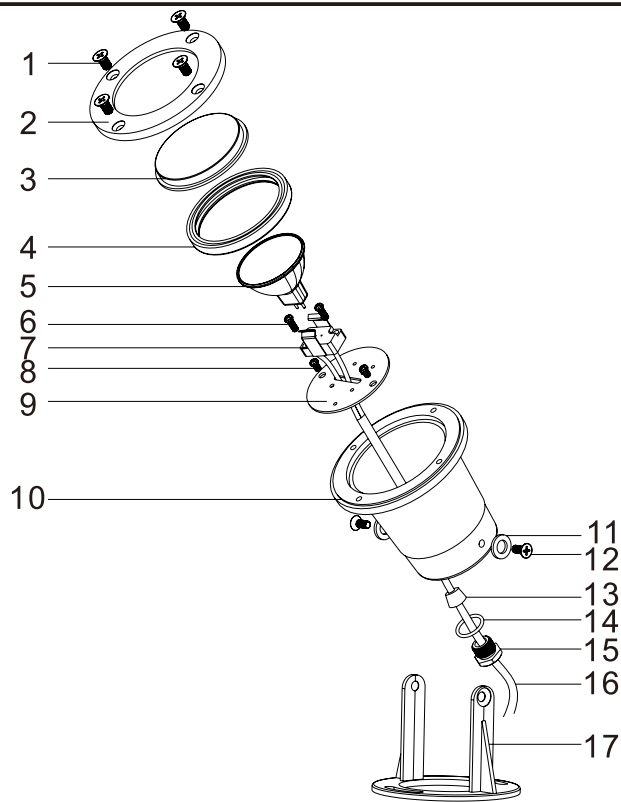
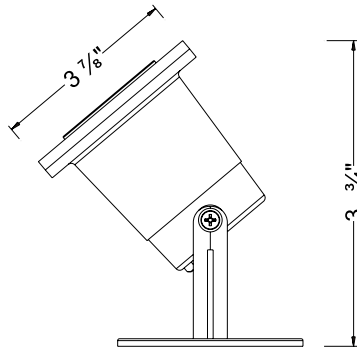
NOTE: DO NOT pull underwater cable. If wire is pulled, it may break liquid tight seal and void warranty.

NOTE: DO NOT loosen or remove liquid tight seal. This will damage factory set seal and result in possible leakage.

NOTE: End of underwater cable must be potted to prevent moisture from entering cable and consequently entering luminaire. Connection or splicing of cable must be made above water line and at least 4' from water edge. This luminaire comes equipped with 25' of waterproof cable to facilitate installation away from water.

3. Strip two leads from luminaire pigtail. Using two safety connectors (provided) connect leads from luminaire to main supply cable leads.
4. Provide power to luminaire and check for proper operation.

FIXTURE DETAILS:



- | | | | |
|------------------|---|----------------|-------------|
| 1. Top Screws | 5. MR16 Bulb/Gu5.3 LED Lamps (Not included) | 12. Screw | 16. Wire |
| 2. Fixture Cover | 6. Screw | 13. Plug | 17. Bracket |
| 3. Flat Lens | 7. Square lamp holder with clip | 14. O Ring | |
| 4. Gasket(A) | 8. Screw | 15. Cable lock | |
| | 9. Socket holder | | |
| | 10. Fixture Body | | |
| | 11. Gasket(B) | | |

IMPORTANT SAFETY INSTRUCTIONS THE LIGHTED LAMP IS HOT!!!

WARNING: TO REDUCE THE RISK OF FIRE, OR INJURY TO PERSONS:

1. Turn off/unplug and allow to cool before replacing lamp.
2. Lamps get hot quickly! Contact only switch/plug when turning on.
3. Do not touch hot lens, guard or enclosure.
4. Keep lamp away from material that may burn.
5. Do not touch the lamp at any time. Use a soft cloth. Oil from the skin may damage lamp.
6. Do not operate luminaire fitting with a missing or damaged cover.

LAMP INSTALLATION/REPLACEMENT:

CAUTION: Do not exceed maximum wattage marked on luminaire label.

1. To prevent electrical shock, disconnect transformer from electrical supply before service.
2. Remove fixture from water and allow to dry.
3. Remove screws from cover.
4. Remove lens to expose lamp.
5. Replace lamp with correct wattage and type marked on fixture label.
6. Re-install lens, gasket and cover then tighten screws evenly and securely.