



# CAL LIGHTING

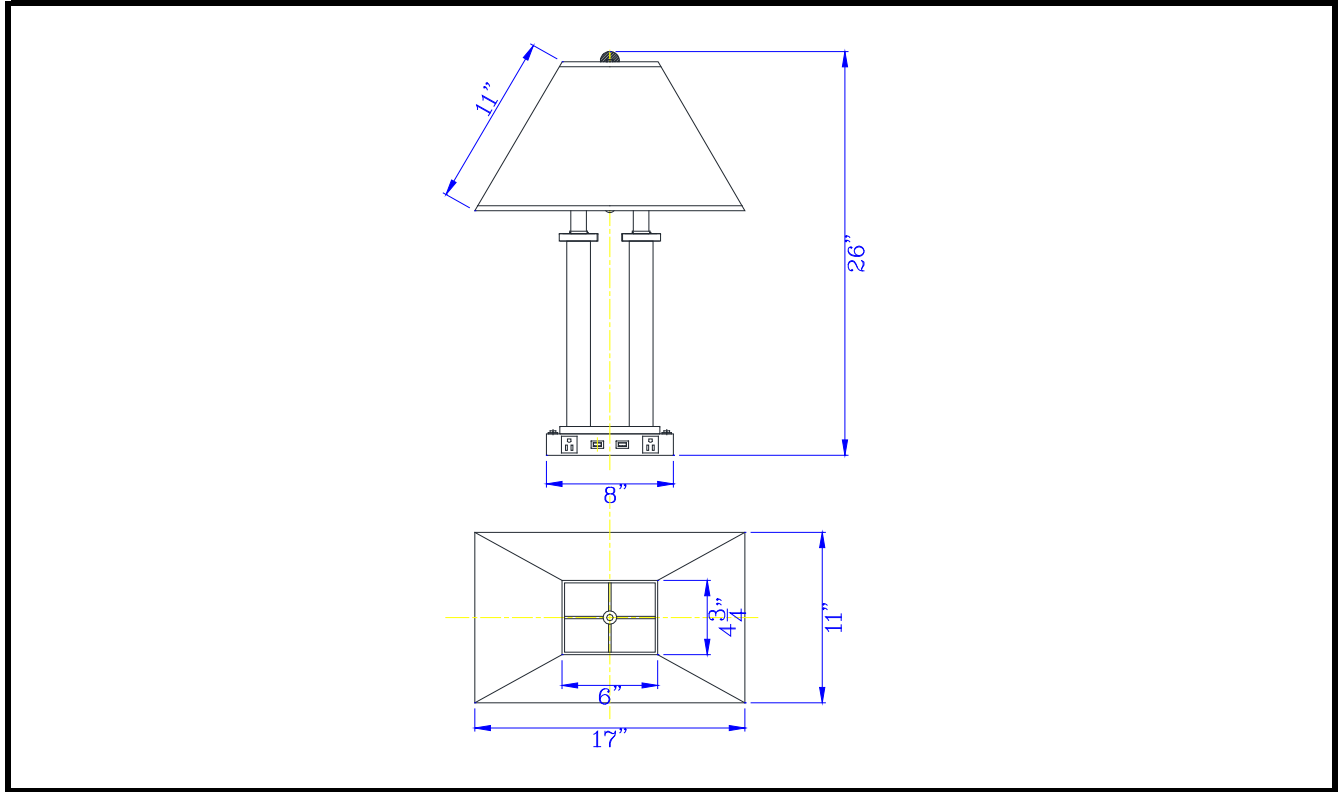
3625 E. Philadelphia St. Ontario CA. 91761 • Tel: 909.947.5200 • Fax:  
909.947.5673 • www.calighting.com • service@calighting.com •  
Specifications subject to change without notice

Type: \_\_\_\_\_

Project: \_\_\_\_\_

Catalog No.: \_\_\_\_\_

Lamp/Wattage: \_\_\_\_\_



**Model No:** LA-60003DK-4RBS  
**Description:** Metal Desk Lamp  
**Material:** Metal  
**Finish :** Brushed Steel  
**Height:** 26"  
**Reach/Depth:** 11"  
**Base Width:** 8"X 5 1/2"  
**Wattage :** 60wx2  
**Socket :** Medium Base  
**Switch:** On/off Rocker  
**Bulb:** Incandescent or CFL  
**USB:** 2  
**Outlet:** 2  
**Wire Length:** 6'  
**Wire Color:** Silver  
**Shade No:** SH-1135  
**Material:** Fabric  
**Shade size:** 4 3/4"X6"X11"X17"X11"

**Certificate :**

