



# CAL LIGHTING

3625 E. Philadelphia St. Ontario CA. 91761 • Tel: 909.947.5200 • Fax:  
909.947.5673 • www.calighting.com • service@calighting.com •  
Specifications subject to change without notice

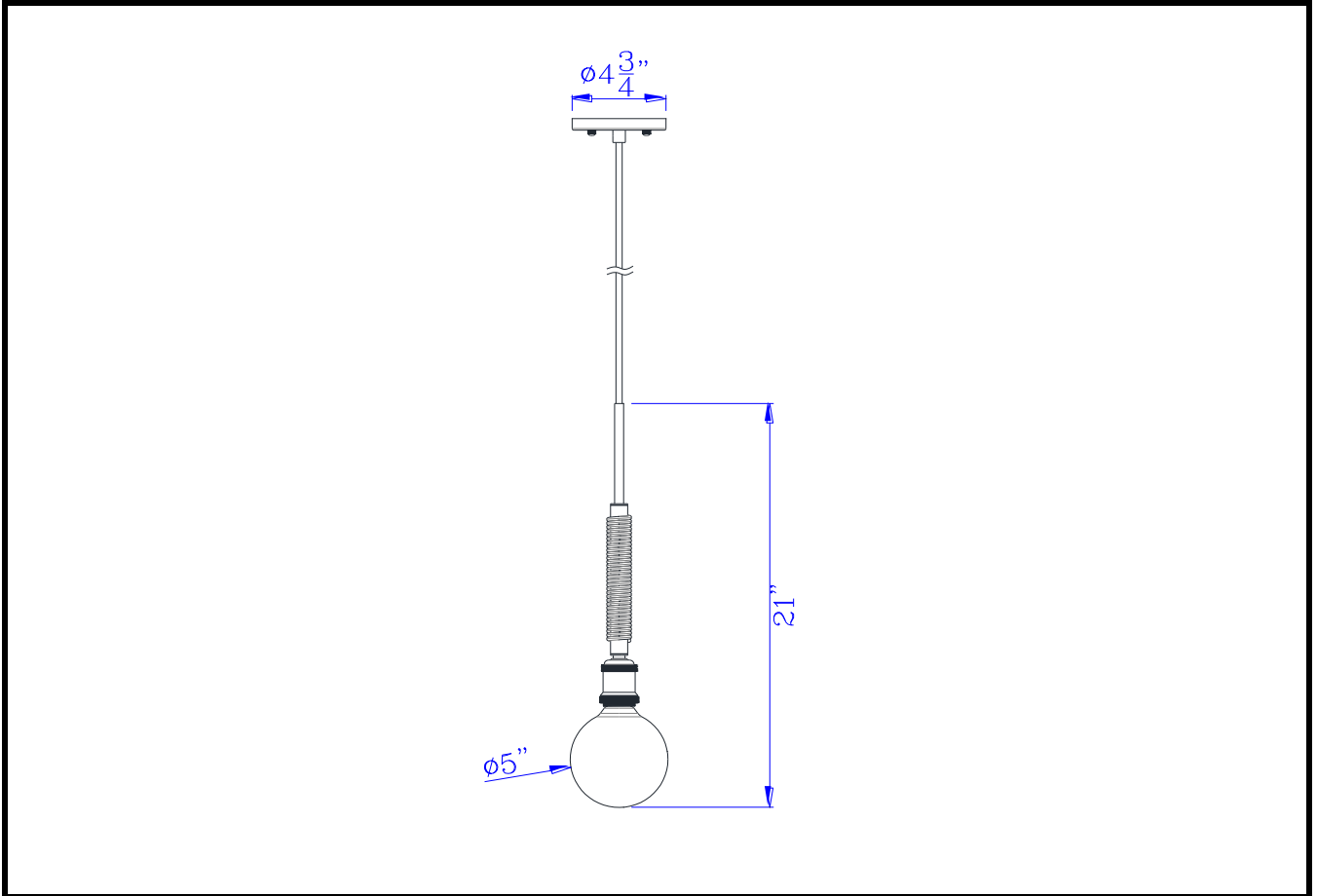
Type: \_\_\_\_\_

Project: \_\_\_\_\_

Catalog No.: \_\_\_\_\_

Lamp/Wattage: \_\_\_\_\_

## Drawing:



- Model No:** FX-3652-1
- Description:** 60W Transformer metal mini pendant (Edison bulb included)
- Material:** Metal
- Finish :** Brushed Steel
- Height:** 21"
- Width:** 5"
- Reach:** 5"
- Wattage :** 60W
- Socket :** Medium Base (E26)
- Bulb:** Incandescent
- Chain Length:**
- Wire Length:** 6"
- Wire Color:** Silver
- Shade No:**
- Material:**
- Shade size:**
- Certificate :**

