



# CAL LIGHTING

3625 E. Philadelphia St. Ontario CA. 91761 • Tel: 909.947.5200 • Fax:  
909.947.5673 • www.calighting.com • service@calighting.com •  
Specifications subject to change without notice

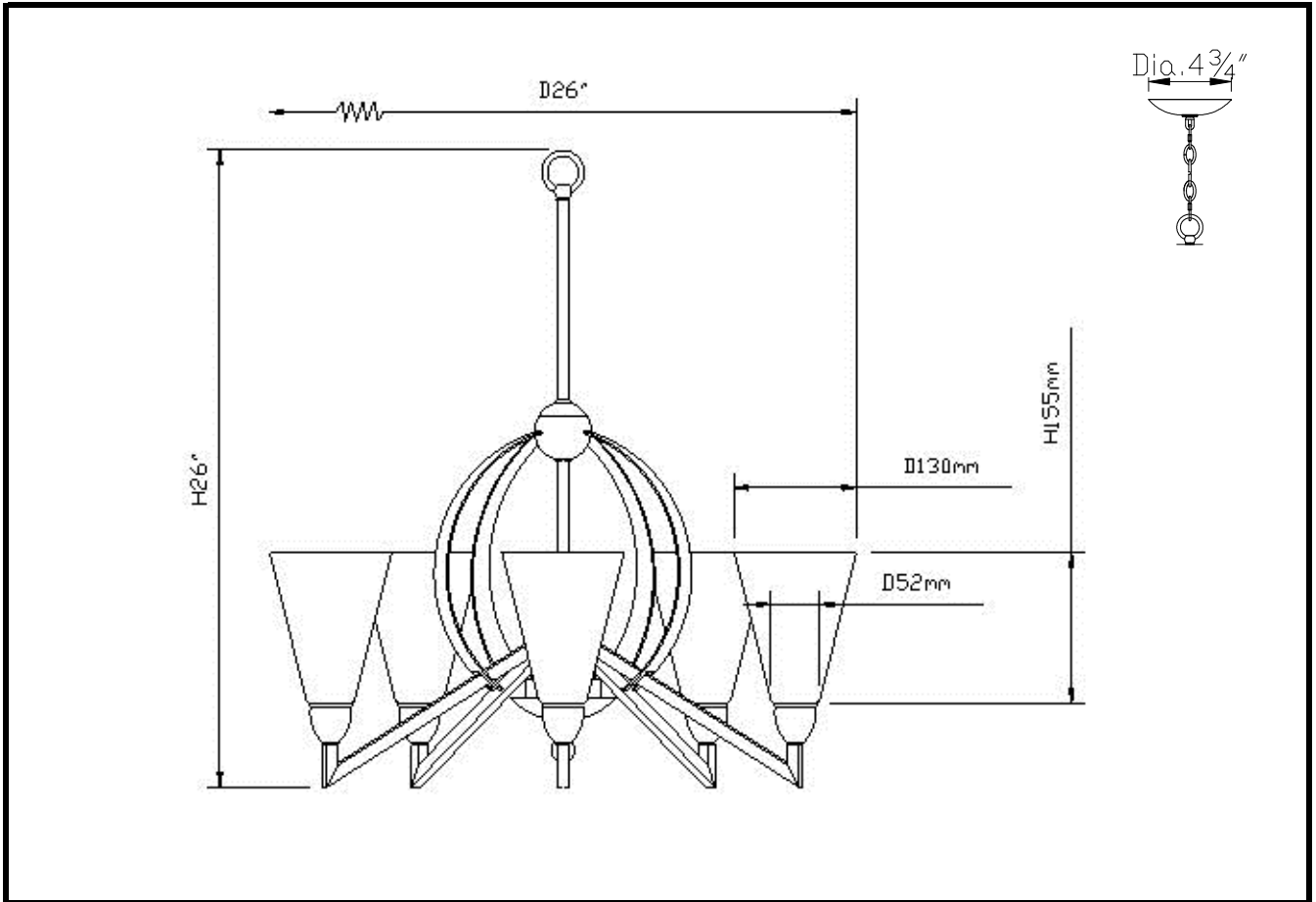
Type: \_\_\_\_\_


Project: \_\_\_\_\_

Catalog No.: \_\_\_\_\_

Lamp/Wattage: \_\_\_\_\_

## Drawing:



**Model No:** FX-3508/5  
**Description:** Canroe Metal 5 Light Chandelier With Glass Shades  
**Material:** Metal  
**Finish :** Brushed Steel  
**Height:** 26"  
**Width:** 26"  
**Wattage :** 60W x 5  
**Socket :** Candelabra Base ( E12 )  
**Bulb:** Incandescent  
**Chain Length:** 6'  
**Wire Length:** 10'  
**Wire Color:** Clear Silver  
**Shade No:**  
**Material:** Glass  
**Shade size:** Dia.5"xH6"  
**Certificate :** c  us