



CAL LIGHTING

3625 E. Philadelphia St. Ontario CA. 91761 • Tel: 909.947.5200 • Fax:
909.947.5673 • www.calighting.com • service@calighting.com •
Specifications subject to change without notice

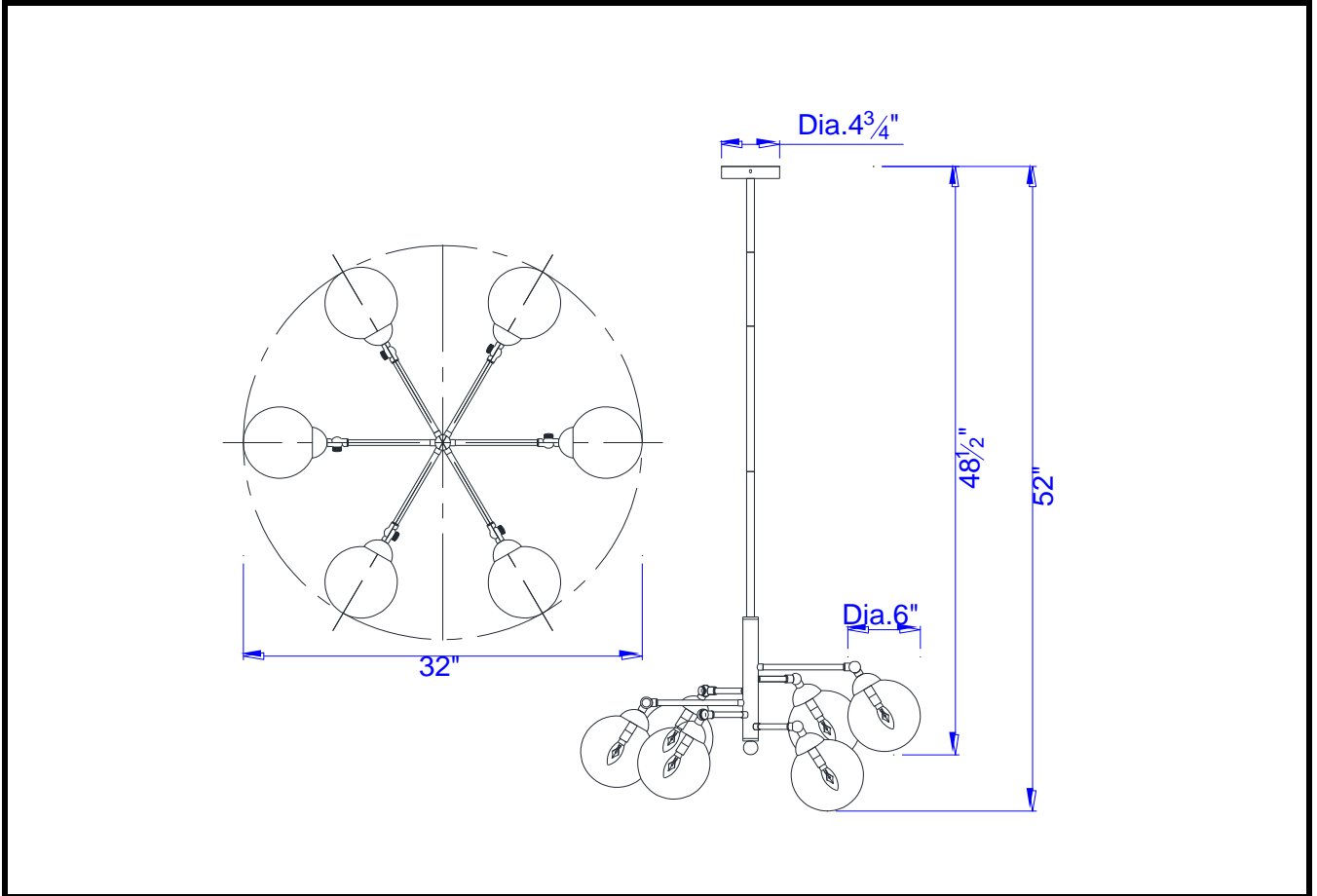
Type: _____

Project: _____

Catalog No.: _____

Lamp/Wattage: _____

Drawing:



- Model No:** FX-2577-6
- Description:** 40W x 6 Prato metal/glass 6 lights chandelier
- Material:** Metal
- Finish :** Gun Metal
- Height:** 48 1/2"
- Width:** 32"
- Wattage :** 40Wx6
- Socket :** Candelabra Base (E12)
- Bulb:** Incandescent,CFL
- Chain Length:**
- Wire Length:**
- Wire Color:** Black
- Shade No:**
- Material:** Glass
- Shade size:** Dia.6"
- Certificate :**

