

BUTLER

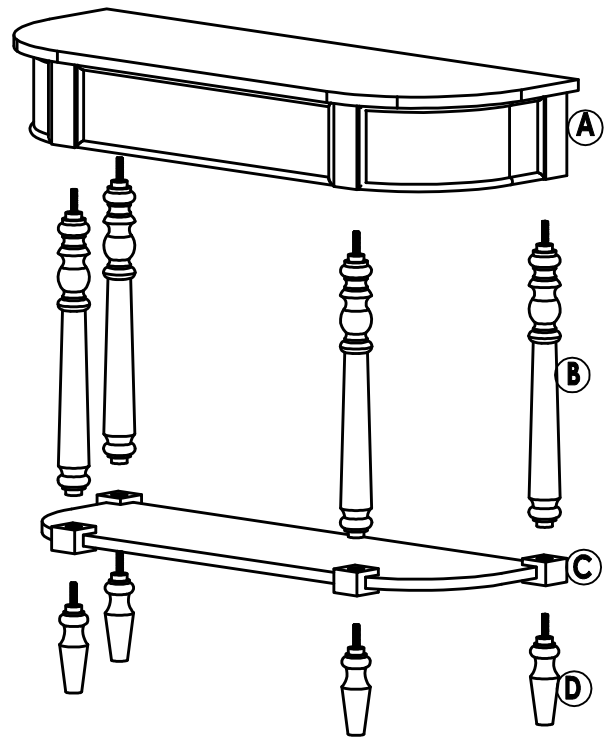
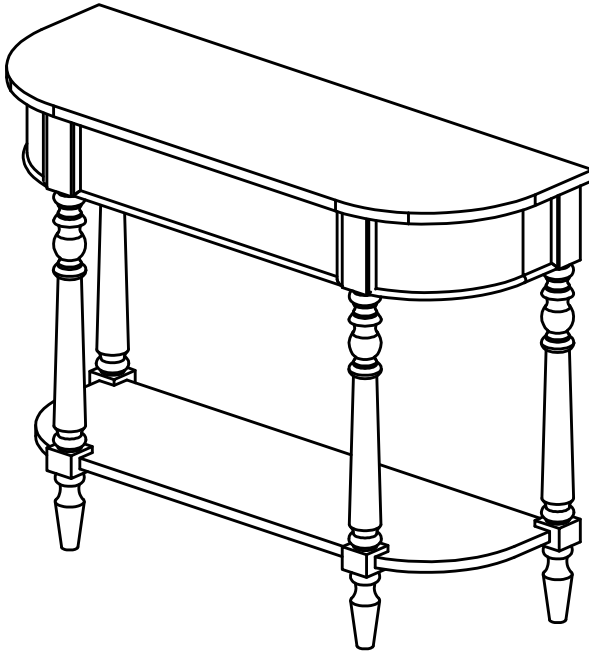
Assembly Instructions

5517329 & 5517415

Console Table

SPECIALTY COMPANY

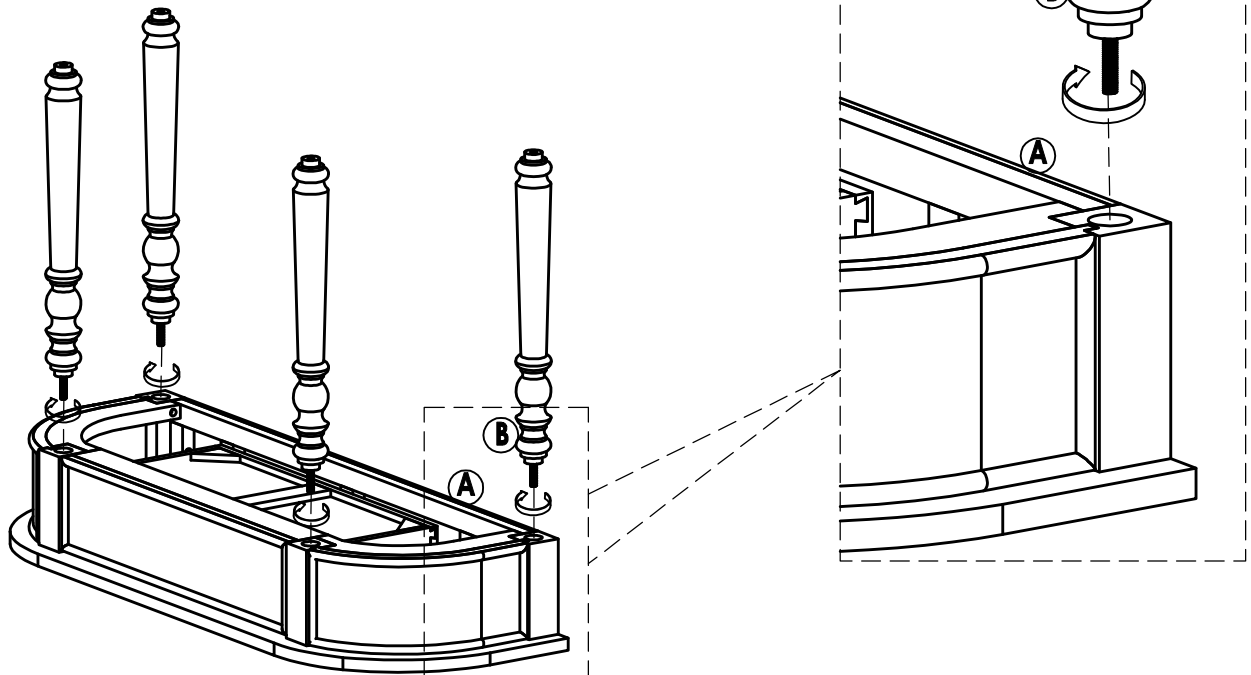
8200 SOUTH CHICAGO AVE. CHICAGO, IL 60617



ITEM	DESCRIPTION	QUANTITY
A	Table top	1
B	Leg	4
C	Shelf	1
D	Bottom leg	4

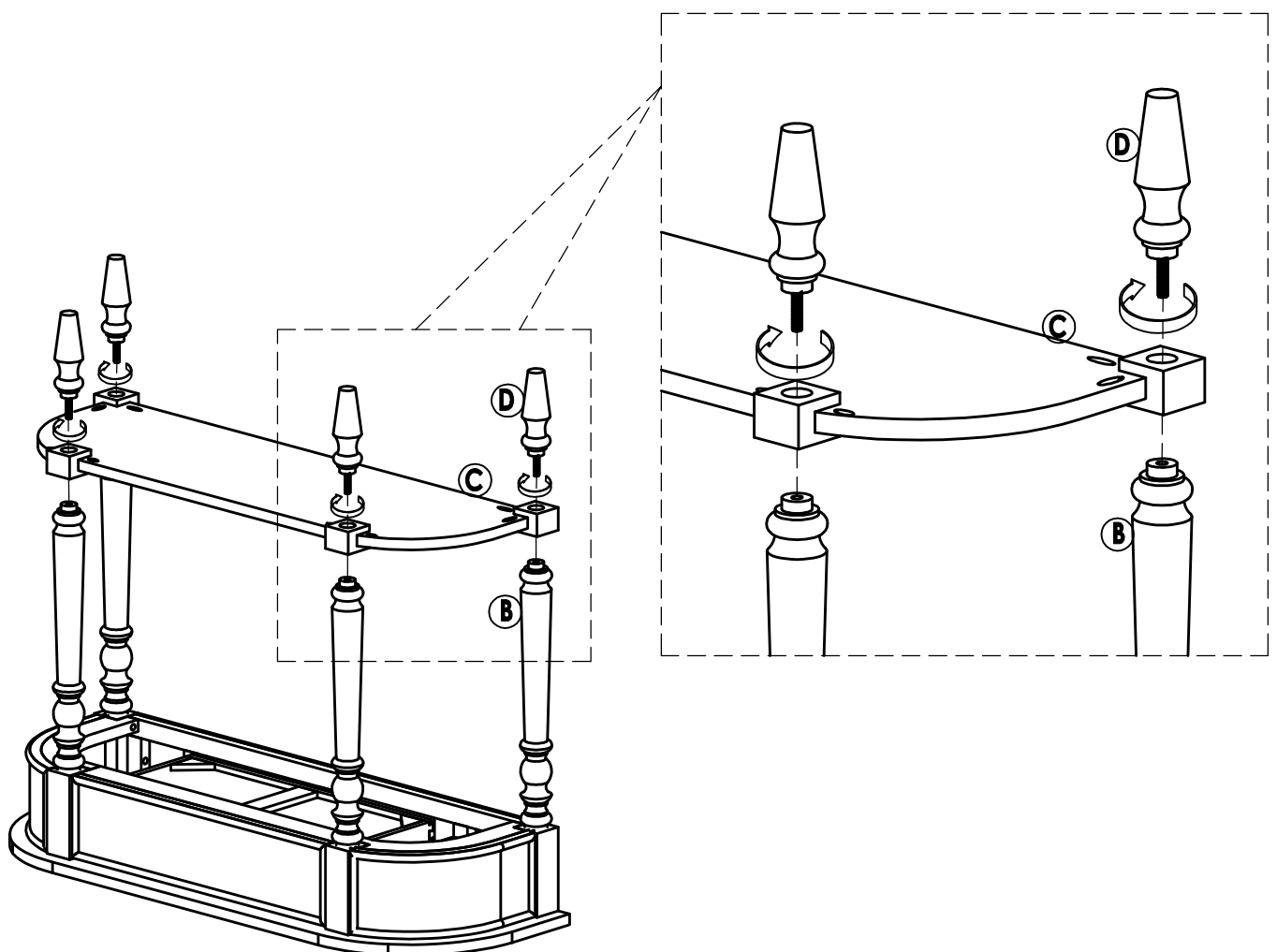
STEP 1

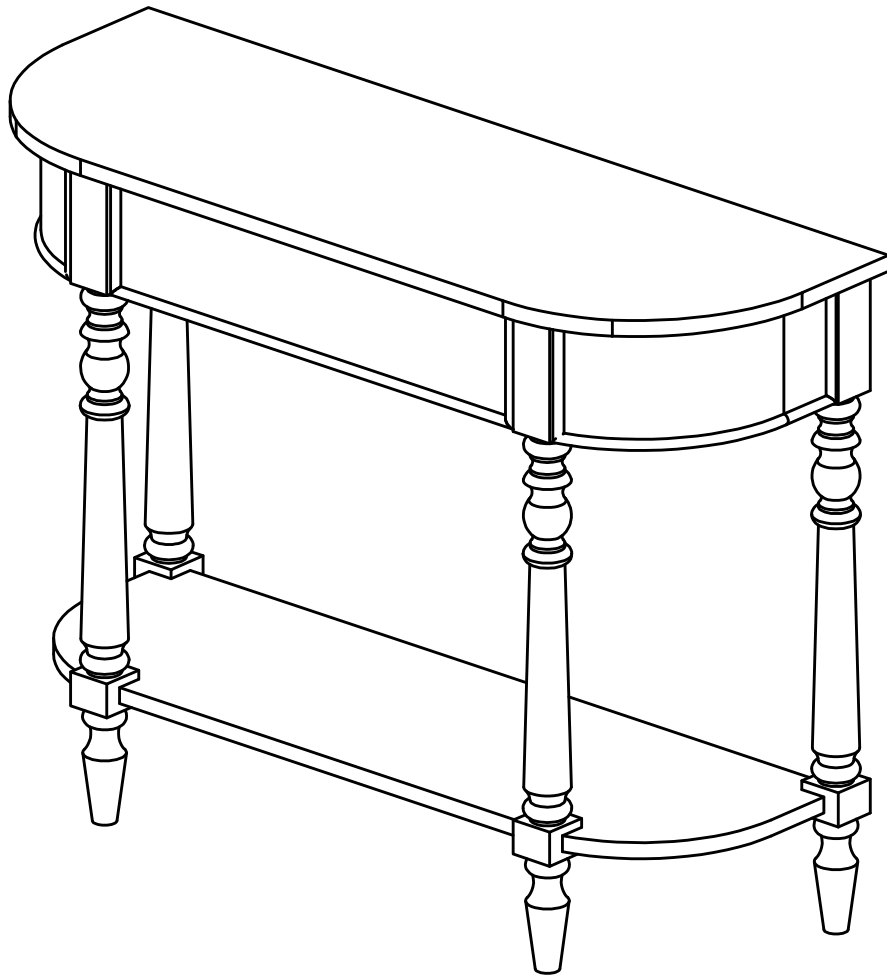
Lay Table Top (A) up side down, then attach the Leg (B) to the Table Top (A) .
Turn the Leg (B) clockwise to tighten. Do not dully tighten the leg (B) .



STEP 2

Attach the Shelf (C) to the Leg (B) by lining up the holes on the shelf (C) with fully tighten the Leg (B) once the shelf (C) attached. Attach the bottom Leg (D) to the Leg (B) through the holrs on the Shelf (C) . Fully tighten the Bottom Leg (D) by turning clockwise.





Congratulations

Assembly complete, Your Console table is ready to use

(*) Caution : DO NOT OVERTIGHTEN

In any correspondence regarding this product, please include the complete Butler identification number located on the underside of the product.

We hope this product will be a useful and decorative addition to your home for years to come

Copyright© Butler Specialty Company, 7 / 20