

POST MOUNT FIXTURE INSTALLATION INSTRUCTIONS

Please read carefully and save these instructions, as you may need them at a later date.

CAUTION

Turn off the main power at the circuit breaker before installing the fixture, in order to prevent possible shock.

GENERAL

All electrical connections must be in accordance with local and National Electrical Code (N.E.C.) standards. If you are unfamiliar with proper electrical wiring connections obtain the services of a qualified electrician.

Remove the fixture and the mounting package from the box and make sure that no parts are missing by referencing the illustrations on the installation instructions.

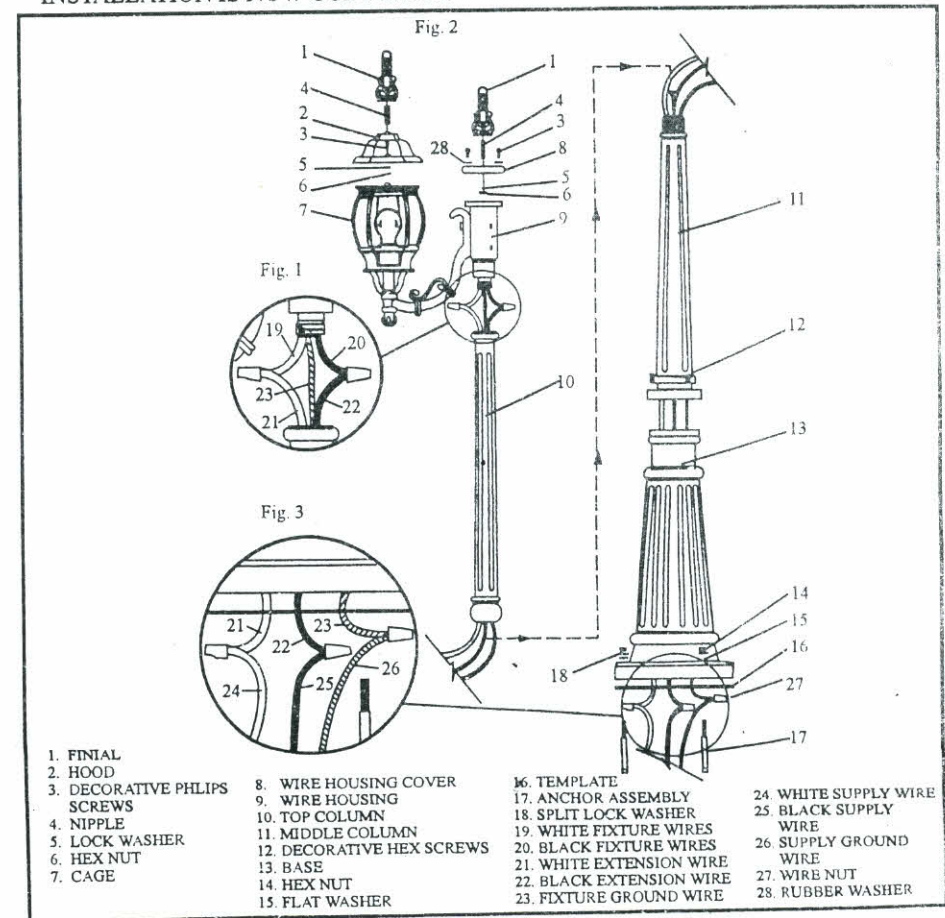
ASSEMBLY AND INSTALLATION

1. Connect the WHITE FIXTURE WIRES (19) to the provided WHITE EXTENSION WIRE (21) and the BLACK FIXTURE WIRES (20) to the provided BLACK EXTENSION WIRE (22) using WIRE NUTS (27). (See Fig. 1)
2. Feed the EXTENSION WIRES (21 and 22) and the FIXTURE GROUND WIRE (23) through the center shaft of the TOP COLUMN (10). Tuck the wiring and the WIRE NUT (27) connections into the center shaft of the TOP COLUMN (10). Attach the WIRE HOUSING (9) to the TOP COLUMN (10) by screwing them together. (See Fig. 2)
3. Feed the EXTENSION WIRES (21 and 22) and the FIXTURE GROUND WIRE (23) through the center shaft of the MIDDLE COLUMN (11). Tuck the wiring and the WIRE NUT (27) connections into the center shaft of the MIDDLE COLUMN (11). Attach the TOP COLUMN (10) to the MIDDLE COLUMN (11) by screwing them together. (See Fig. 2)
4. Feed the EXTENSION WIRES (21 and 22) and the FIXTURE GROUND WIRE (23) through the center of the BASE (13). Attach the MIDDLE COLUMN (11) to the BASE (13) using the DECORATIVE HEX SCREWS (12). (See Fig. 2)
5. Place the TEMPLATE (16) over the desired installation location. Mark the locations of the TEMPLATE (16) holes. Remove the TEMPLATE (16).
6. Drill 1/2" diameter holes at the marked locations approximately 2 3/4" through the concrete surface. (Note: Be careful not to exceed more than 3") Make a hole at the marked location for the center hole. Feed the SUPPLY WIRING (24 and 25) and the SUPPLY GROUND WIRE (26) through the center hole.
7. Connect the WHITE EXTENSION WIRE (21) to the WHITE SUPPLY WIRE (24) and the BLACK EXTENSION WIRE (22) to the BLACK SUPPLY WIRE (25) using WIRE NUTS (27). Connect the FIXTURE GROUND WIRE (23) to the SUPPLY GROUND WIRE (26) using WIRE NUTS (27). (See Fig. 3)
8. Insert the ANCHOR ASSEMBLIES (17) into the holes with the threaded ends pointing upward. Place the BASE (13) over the ANCHOR ASSEMBLIES (17) by feeding them through the provided holes. Make sure that all wires are properly stuffed under the BASE (13). Feed the FLAT WASHERS (15), the SPLIT LOCK WASHERS (18) onto the ANCHOR ASSEMBLIES (17) and tighten the HEX NUTS (14) onto the ANCHOR ASSEMBLIES (17) until they are flush with the BASE (13). (See Fig. 2)

ASSEMBLY AND INSTALLATION (Continued)

9. Apply a waterproof caulk/sealant around the BASE (13) where it meets the ground. Make sure the wiring is completely sealed from any rain.
10. Screw light bulbs into each socket located inside of each CAGE (7). Make sure the bulb wattage does not exceed the maximum wattage specified on the fixture label. (See Fig. 2)
11. Screw the NIPPLES (4) into the FINIALS (1). Feed three of the NIPPLE (4)/FINIAL (1) assemblies through the center holes of the three HOODS (2). Feed the LOCK WASHERS (5) onto the NIPPLES (4), and tighten the HEX NUTS (6) onto the NIPPLES (4) until they are flush with the HOODS (2). (See Fig. 2)
12. Attach the HOOD (2) assemblies onto the CAGES (7) using the DECORATIVE PHILIPS SCREWS (3). (See Fig. 2)
13. Feed the remaining NIPPLE (4)/FINIAL (1) assembly through the center hole of the WIRE HOUSING COVER (8). Feed the LOCK WASHER (5) onto the NIPPLE (4), and tighten the HEX NUT (6) onto the NIPPLE (4) until it is flush with the WIRE HOUSING COVER (8). (See Fig. 2)
14. Attach the WIRE HOUSING COVER (8) assembly onto the WIRE HOUSING (9) using the DECORATIVE PHILIPS SCREWS (3) with the RUBBER WASHERS (See Fig. 2)

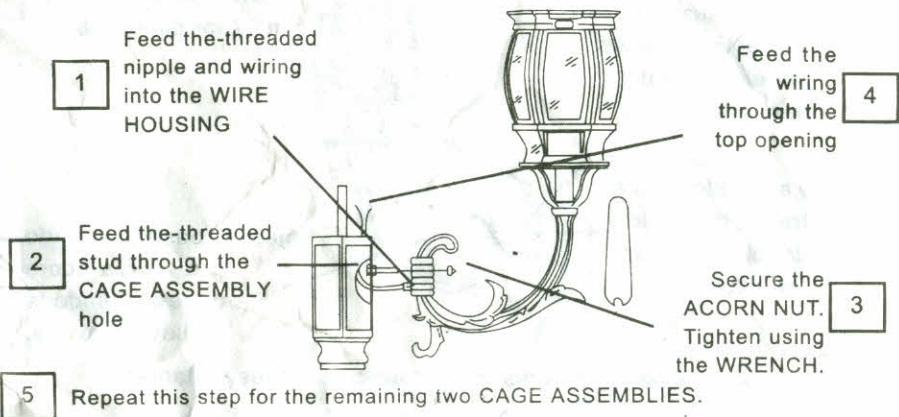
INSTALLATION IS NOW COMPLETED



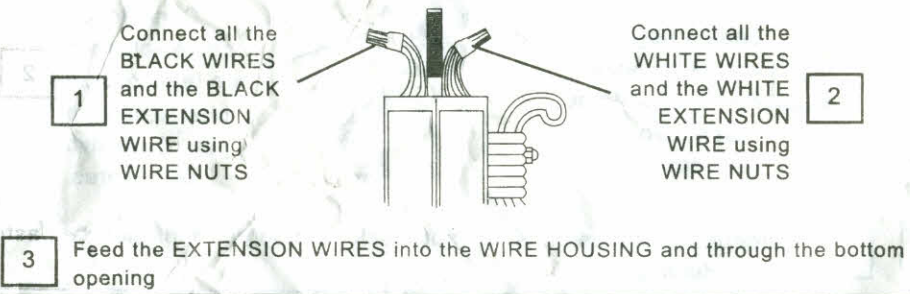
ASSEMBLY AND INSTALLATION

NOTE: To minimize the risk of electrical shock, follow the EXACT order of assembly.

ATTACHING THE CAGE ASSEMBLIES TO THE WIRE HOUSING



MAKING THE WIRE CONNECTIONS



1 SCREWING THE TOP COLUMN INTO THE WIRE HOUSING

2 SCREWING THE MIDDLE COLUMN INTO THE TOP COLUMN

