

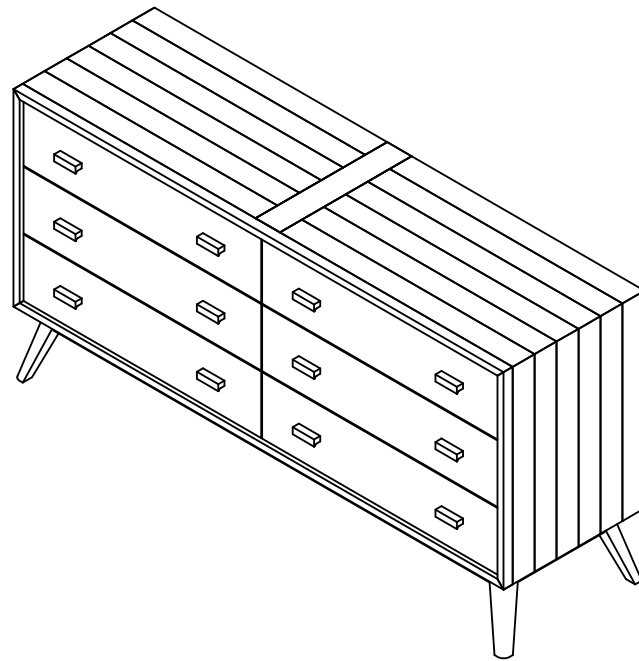
# MOE'S

home collection

## **ASSEMBLY INSTRUCTIONS.**

NOVA 6 DRAWER DRESSER



FR-1033-02



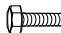




THANK YOU FOR YOUR PURCHASE!

## PARTS AND HARDWARE.

### PARTS LIST

NO.	DESCRIPTION	IMAGE	Q'TY
P1	CABINET		1
P2	LEGS		4

### HARDWARE LIST

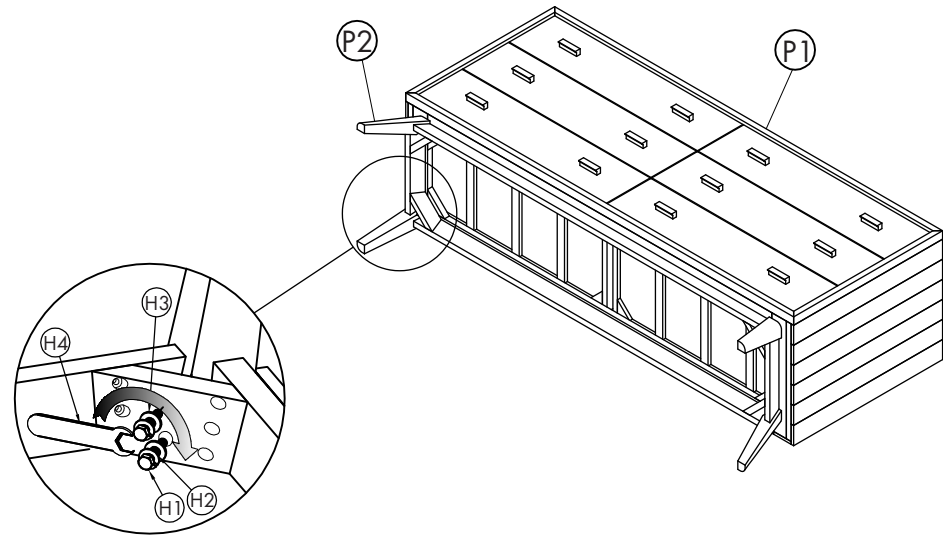
NO.	DESCRIPTION	IMAGE	Q'TY
H1	BOLT M8x60		8
H2	SPRING WASHER M8		8
H3	WASHER M8		8
H4	SPANNER 13MM		1
H5	ANTITIP KIT		2

## NOTES.

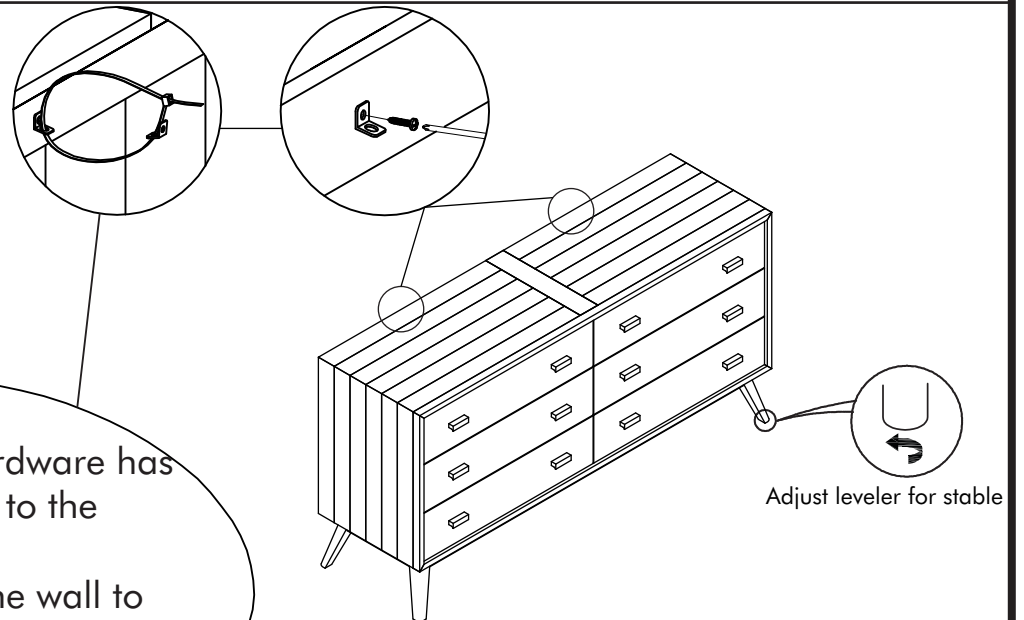
Thank you for purchasing this quality product! Be sure to check all packing material carefully for small part that may have come loose inside the carton during shipping.

**CAUTION:** The item is heavy, assembly should be performed by two people.

## STEP 1.



## STEP 2.



Anti Tip Kit hardware has been attached to the product.  
Pls, install to the wall to prevent product from tipping

Adjust leveler for stable