



CAL LIGHTING

3625 E. Philadelphia St. Ontario CA. 91761 • Tel: 909.947.5200 • Fax:
909.947.5673 • www.calighting.com • service@calighting.com •
Specifications subject to change without notice

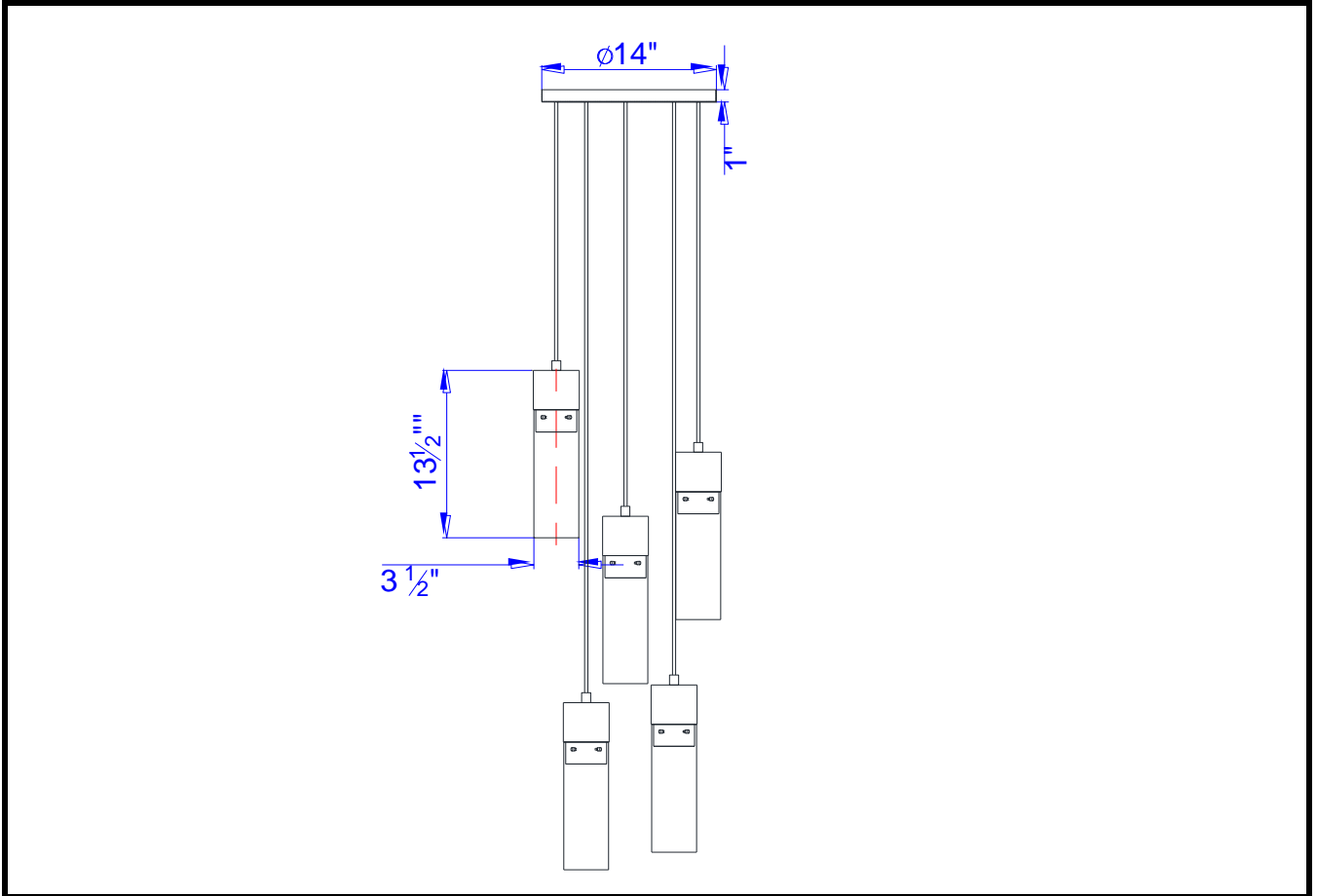
Type: _____

Project: _____

Catalog No.: _____

Lamp/Wattage: _____

Drawing:



Model No: FX-3583-5
Description: Spheroid glass/wood pendant
Material: WOOD+Glass
Finish : Wood/Dark Bronze
Height: 72"
Width: 14"
Wattage : 60Wx5
Socket : Candelabra Base (E12)
Bulb: Incandescent
Chain Length:
Wire Length: 6'
Wire Color: Black
Shade No:
Material: Glass
Shade size: Dia.3 1/2" X H 10 1/4"

Certificate :

