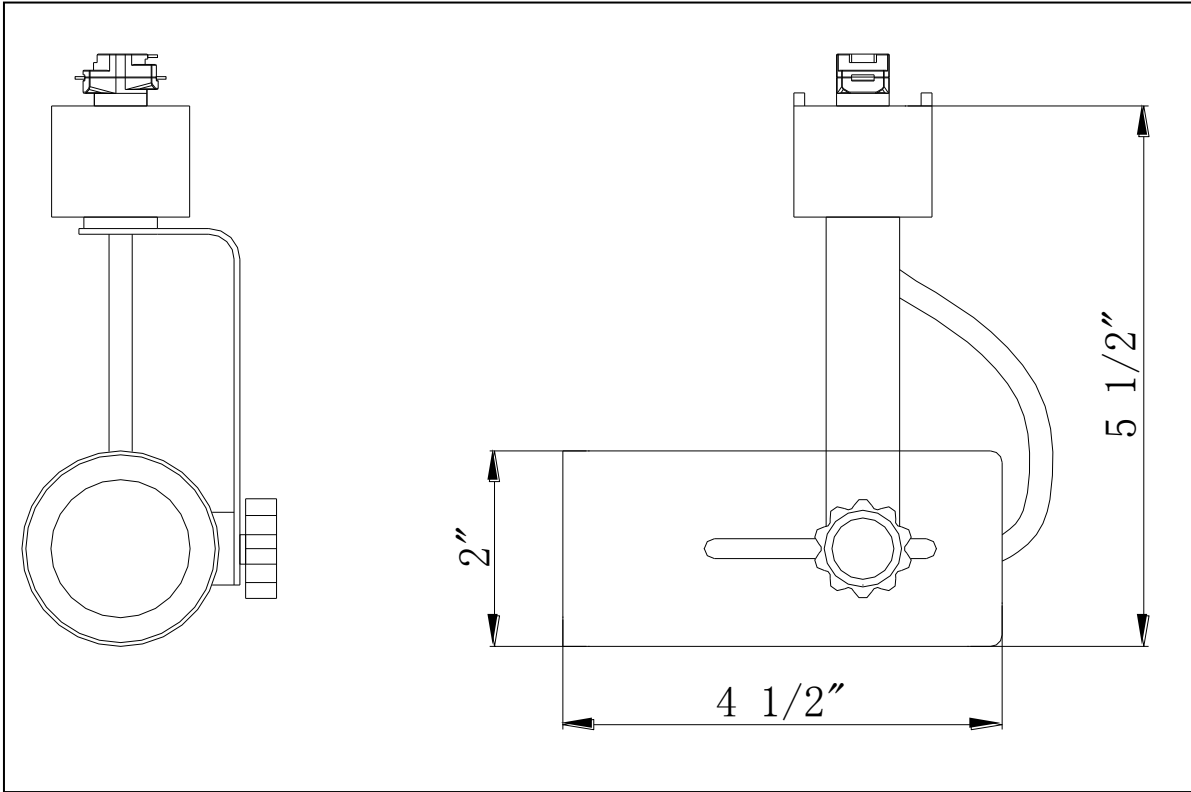




# CAL LIGHTING

3625 E. Philadelphia St. Ontario CA. 91761 • Tel: 909.947.5200 • Fax:  
909.947.5673 • www.calighting.com • service@calighting.com •  
Specifications subject to change without notice

Type: \_\_\_\_\_  
Project: \_\_\_\_\_  
Catalog No.: \_\_\_\_\_  
Lamp/Wattage: \_\_\_\_\_



**Model No. :** HT-252

**Rotation :** 355 degree

**Capability :** ± 30 degree from horizontal

**Bulb :** PAR38 (halogen) or R38 (incandescent)

**Socket :** Medium base

**Voltage :** 120V

**Wattage :** 150W Max.

**Finish :** WH (White)

**Certificate :** c  us