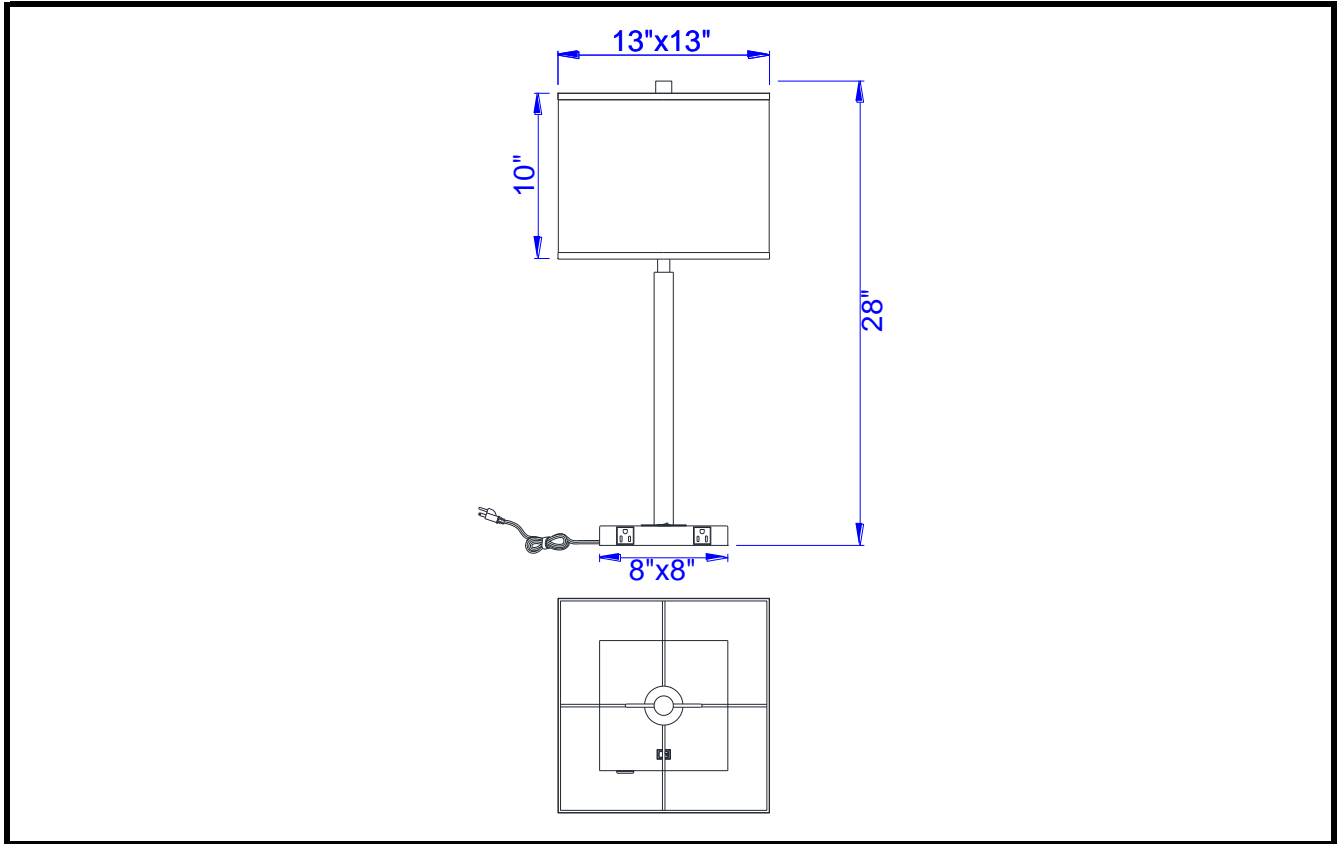




# CAL LIGHTING

3625 E. Philadelphia St. Ontario CA. 91761 • Tel: 909.947.5200 • Fax:  
909.947.5673 • www.calighting.com • service@calighting.com •  
Specifications subject to change without notice

Type: \_\_\_\_\_  
Project: \_\_\_\_\_  
Catalog No.: \_\_\_\_\_  
Lamp/Wattage: \_\_\_\_\_



**Model No:** LA-8028NS-1  
**Description:** Desk Lamp  
**Material:** Metal  
**Finish :** BS (Brushed Steel)  
**Height:** 28"  
**Base Width:** 8"x8"  
**Wattage :** 100W  
**Socket :** Medium Base (E27)  
**Switch:** Rocker Switch  
**Bulb:** Incandescent, CFL  
**Power Outlet:** 2  
**Wire Length:** 6'  
**Wire Color:** Silver  
**Shade No:**  
**Material:** Fabric  
**Shade size:** (13"x13")x(13"x13")x10"

**Certificate :**

