



CAL LIGHTING

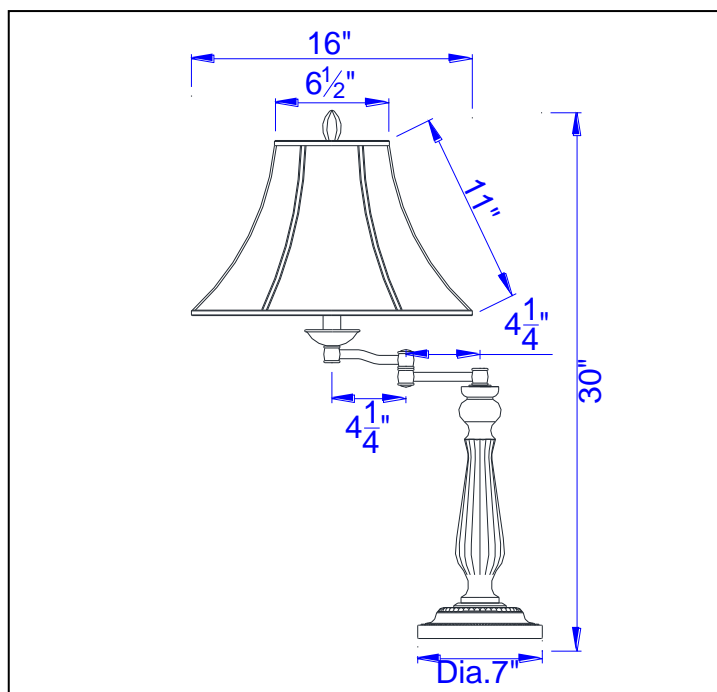
3625 E. Philadelphia St. Ontario CA. 91761 • Tel: 909.947.5200 • Fax:
909.947.5673 • www.calighting.com • service@calighting.com •
Specifications subject to change without notice

Type: _____

Project: _____

Catalog No.: _____

Lamp/Wattage: _____



Model No: BO-581TB
Description: Swing Arm Table Lamp
Material: Resin/Metal
Finish : Antique Rust
Height: 30"
Base Width: Dia.7"
Wattage : 150W
Socket : Medium Base (E27)
Switch: 3-way
Bulb: Incandescent, CFL
Wire Length: 6'
Wire Color: Brown
Shade No: SH-7137
Material: Fabric
Shade size: 6 1/2"x16"x11"

Certificate : 