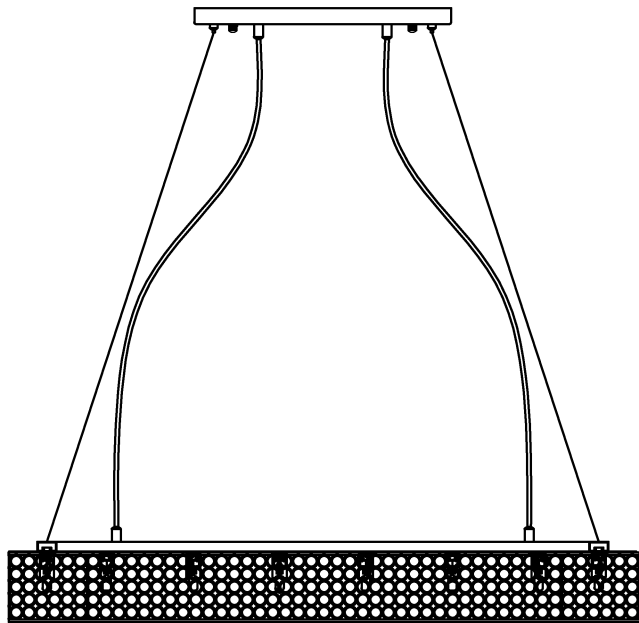


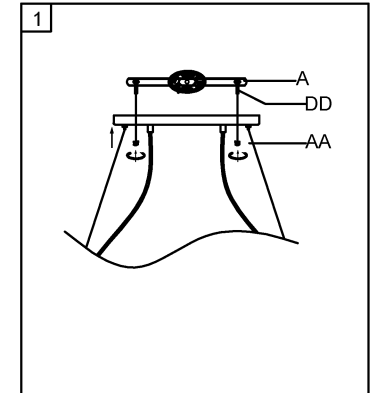
Trade Mark:  
CRYSTAL WORLD INC

Product Name: Pendant lamp  
Model :QS8391P39C-RC  
120Vac, 60Hz,AC ONLY  
Lamp Size:L39"XW16"XH6"



## PENDANT LAMP ASSEMBLY INSTRUCTIONS

1. Place fixture(A) onto mounting screws (DD). secure with cap nuts (AA).




### Hardware Used

AA Cap nut  X 2

DD Mounting screw  X 2

2. Install light bulbs ( not included).

Use bulb  **120V G9 16\*40W Max.**

