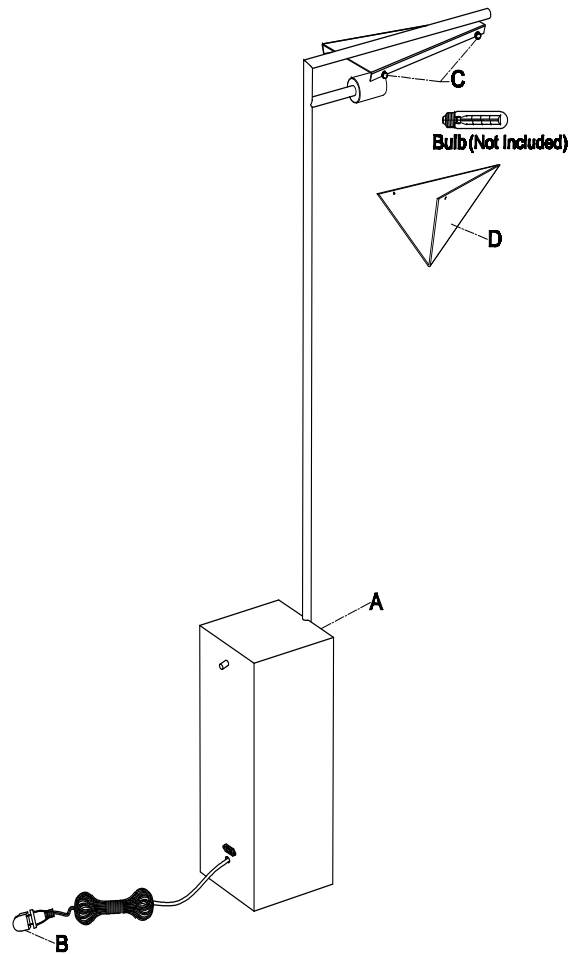


## ASSEMBLY INSTRUCTIONS



## Forma Floor Lamp Item # KW 1250

INSPECT ITEM CAREFULLY BEFORE ATTEMPTING TO INSTALL. IF THERE IS ANY DAMAGE OR OBVIOUS DEFECT. DO NOT INSTALL.

ITEM MAY NOT BE RETURNED ONCE IT HAS BEEN INSTALLED.

NOTE: CAREFULLY UNPACK EACH PIECE IN TOP LAYER OF PACKING PRIOR TO REMOVING.

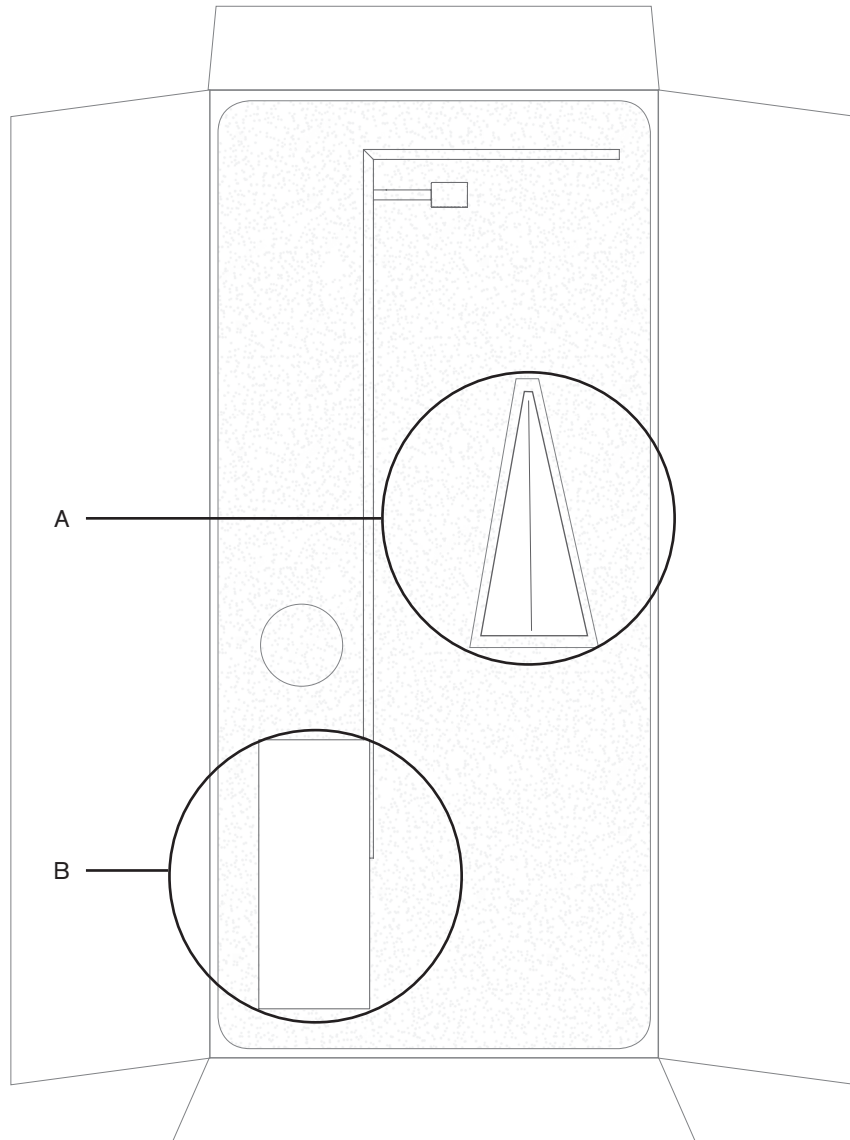
RETAIN ALL PACKING MATERIAL UNTILL INSPECTION AND INSTALLATION ARE FINAL.

1. Carefully remove all parts from the box.
2. Unscrew the knurled screws (C) from the fixture (A).
3. Insert bulb (not included) into the socket. .
4. Place shade (D) on the fixture (A) and secure with knurled screws (C)
5. Remove protective plug cover (B) from the plug.
6. Plug into a proper electrical outlet and test the fixture.
7. Installation is complete.

\*\*\*Clean with a dry, soft cloth only. Use no harsh abrasives or chemical agents.



## UNPACKING NOTICE



## Forma Floor Lamp

Item # KW1250

**THE FOLLOWING INSTRUCTIONS SHOULD BE READ PRIOR TO UNPACKING YOUR PRODUCT AS THEY ARE INTENDED TO REDUCE OR ELIMINATE ANY POSSIBLE DAMAGE.**

1. To properly remove lamp from carton, first remove the glass shade (A) from foam casing.
2. Carefully stand carton upright with lamp base near floor as shown in figure.
3. Grasp base (B) and gently slide lamp out of foam casing.