



CAL LIGHTING

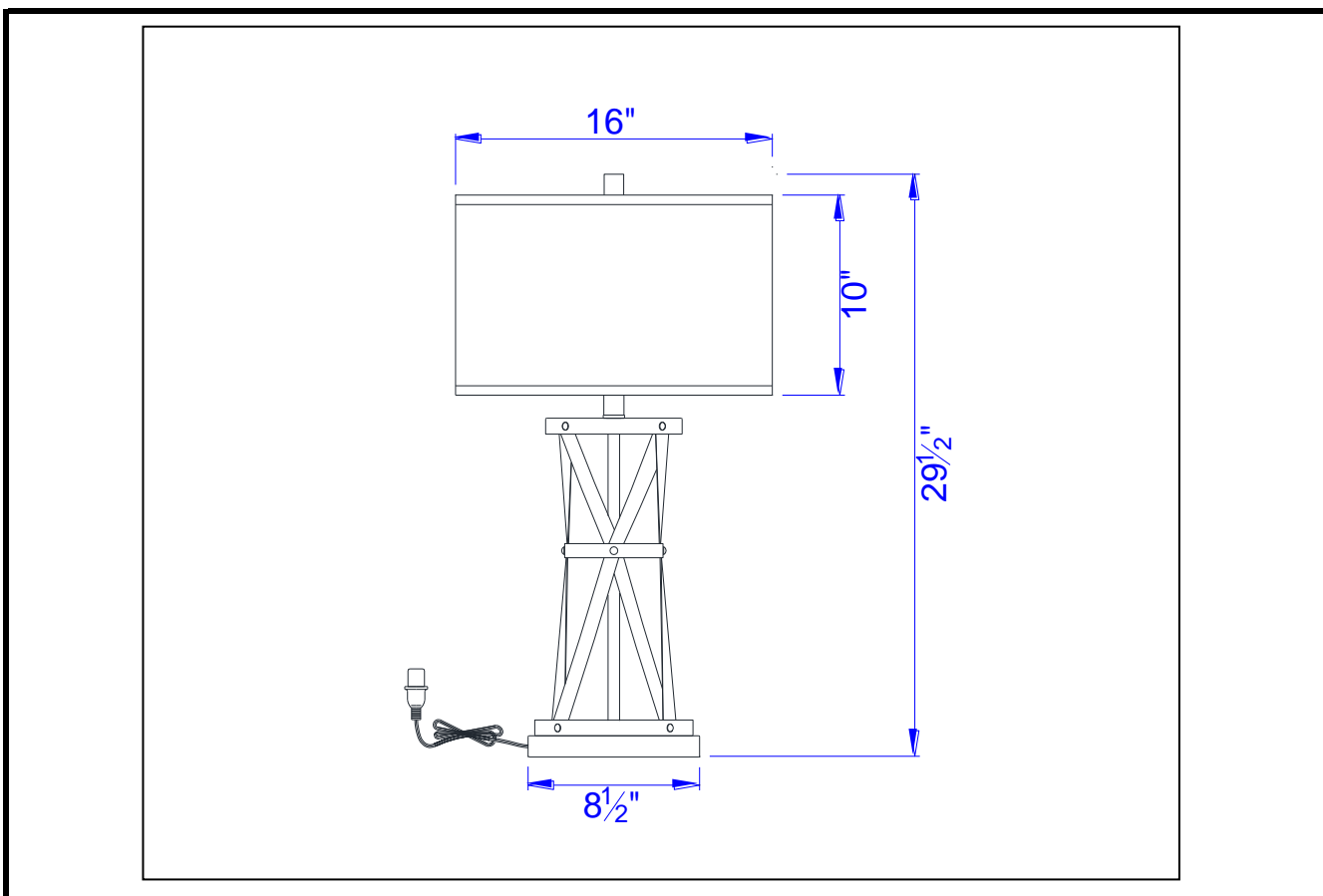
3625 E. Philadelphia St. Ontario CA. 91761 • Tel: 909.947.5200 • Fax:
909.947.5673 • www.calighting.com • service@calighting.com •
Specifications subject to change without notice

Type: _____

Project: _____

Catalog No.: _____

Lamp/Wattage: _____



- Model No:** BO-2182TB
- Description:** Passo Metal/Iron Table Lamp
- Material:** Metal
- Finish :** Dark Bronze
- Height:** 29 1/2"
- Base Width:** Dia.8 1/2"
- Wattage :** 150W
- Socket :** Medium Base (E27)
- Switch:** 3-way
- Bulb:** Incandescent, CFL
- Wire Length:** 6'
- Wire Color:** Brown
- Shade No:** SH-1361
- Material:** Linen
- Shade size:** 16"X16"X10"
- Certificate :** 