

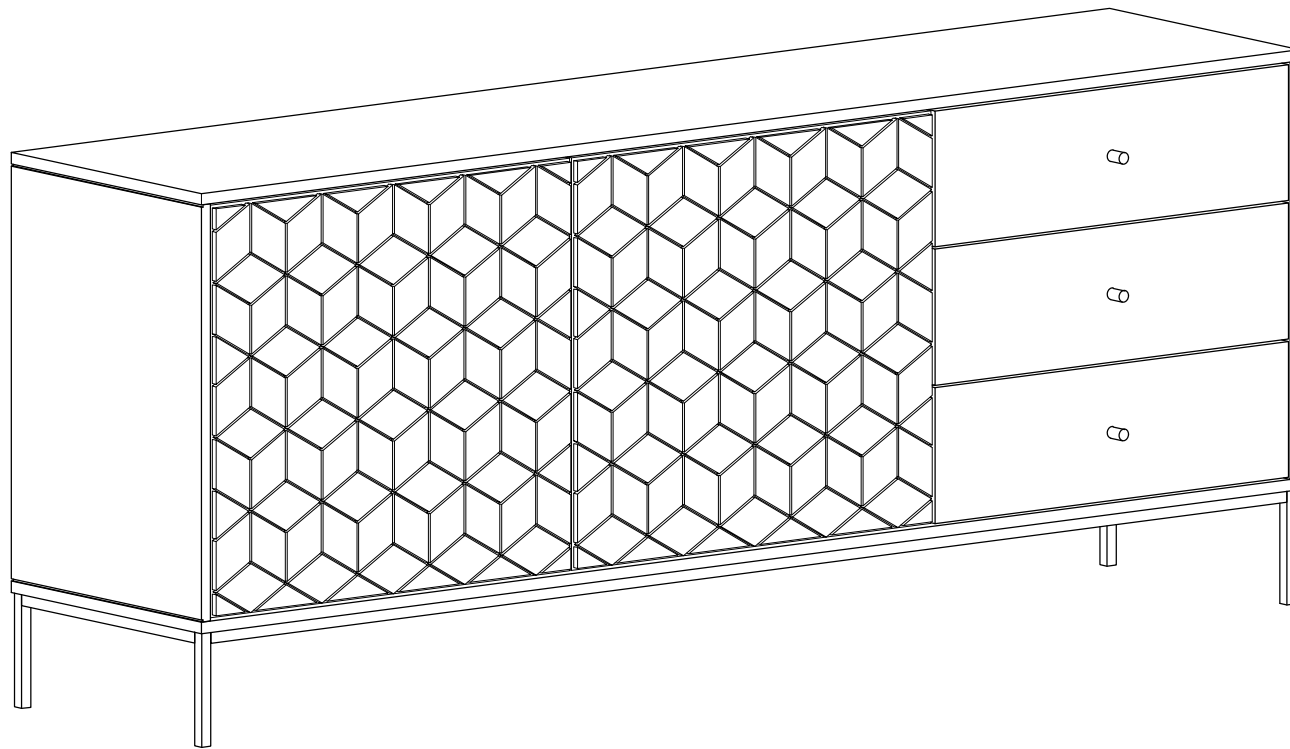
# MOE'S

home collection

## ASSEMBLY INSTRUCTIONS.

COROLLA SIDEBOARD



RP-1016-29





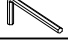

THANK YOU FOR YOUR PURCHASE!

# PARTS AND HARDWARE.

## PART LIST

NO.	DESCRIPTION	IMAGE	QTY
P1.	Structure		1
P2.	Leg		2

## HARDWARE LIST

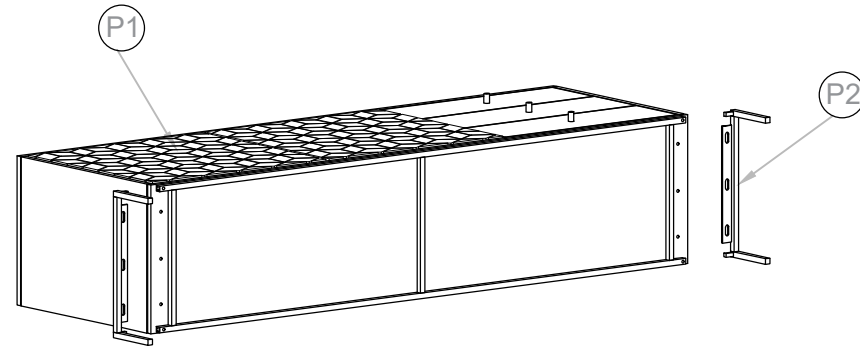
NO.	DESCRIPTION	IMAGE	QTY
H1.	Allen bolt -M6-16MM		4
H2.	Washer		4
H3.	Allen key-4MM		1
H4.	Allen bolt -M6-12MM		4

## NOTES.

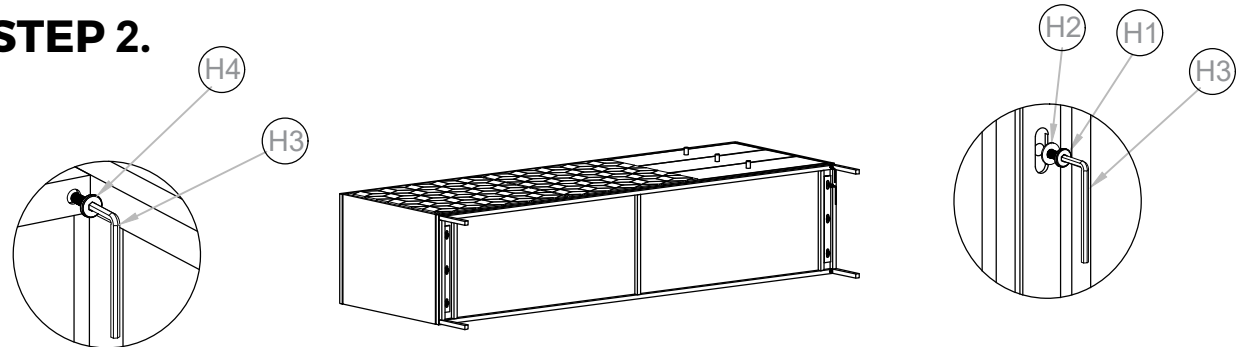
Thank you for purchasing this quality Product! Be sure to check all packing material carefully for small part that may have come loose inside the carton during shipping.

**CAUTION:** The item is heavy, assembly should be performed by two people.

## STEP 1.



## STEP 2.



## STEP 3.

