



CAL LIGHTING

3625 E. Philadelphia St. Ontario CA. 91761 • Tel: 909.947.5200 • Fax:
909.947.5673 • www.calighting.com • service@calighting.com • Specifications
subject to change without notice

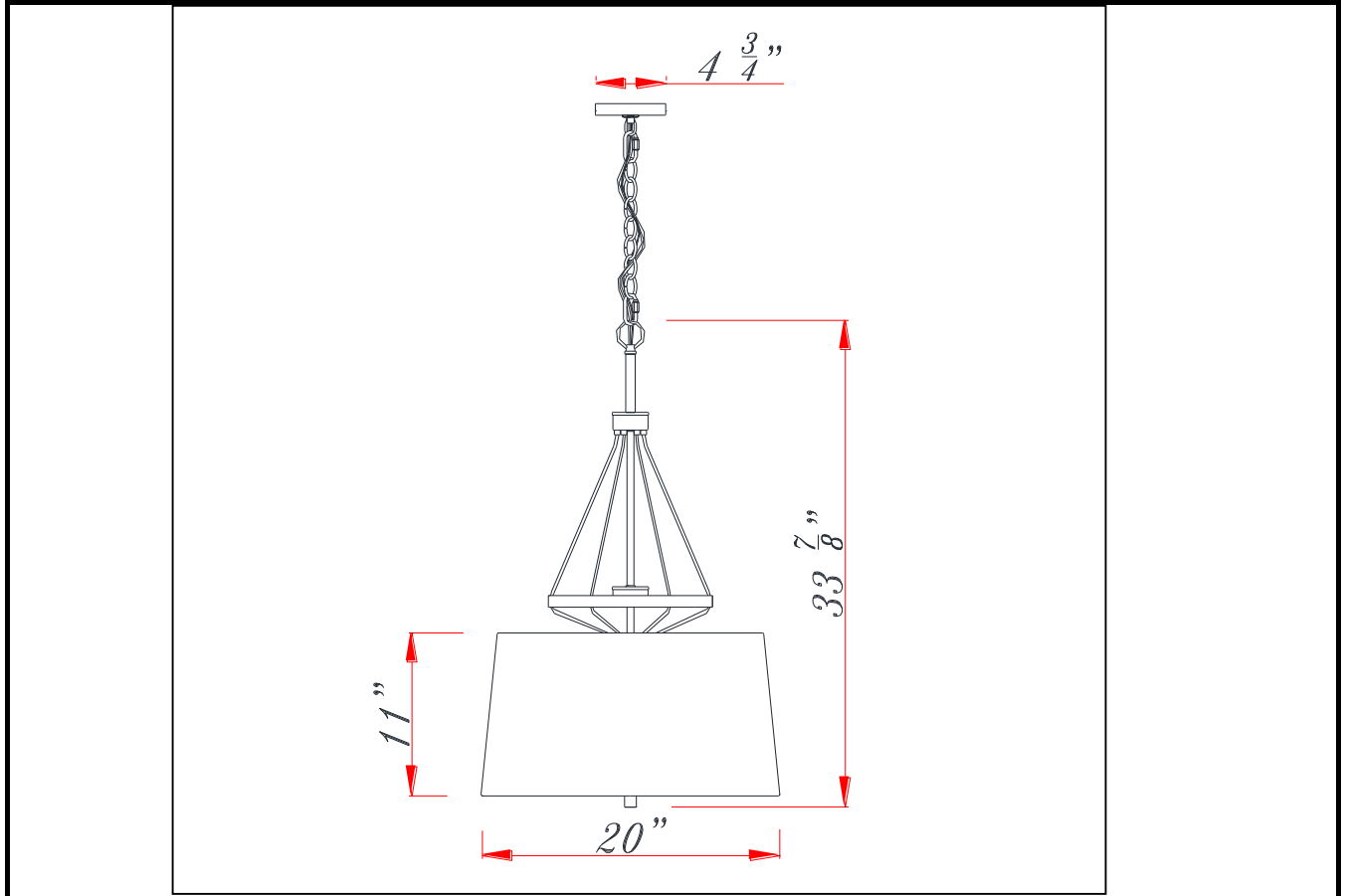
Type: _____

Project: _____

Catalog No.: _____

Lamp/Wattage: _____

Drawing:



- Model No:** FX-3538/1P
- Description:** Cresco Pendant Fixture with Burlap Shade
- Material:** Metal
- Finish :** Textured Steel
- Height:** 33 7/8"
- Width:** 20"
- Wattage :** 60W x 3
- Socket :** Medium Base (E26)
- Bulb:** Incandescent
- Chain Length:** 6'
- Wire Length:** 10'
- Wire Color:** Brown
- Shade No:**
- Material:** Burlop
- Shade size:** Dia 20"x H 11"

Certificate : 