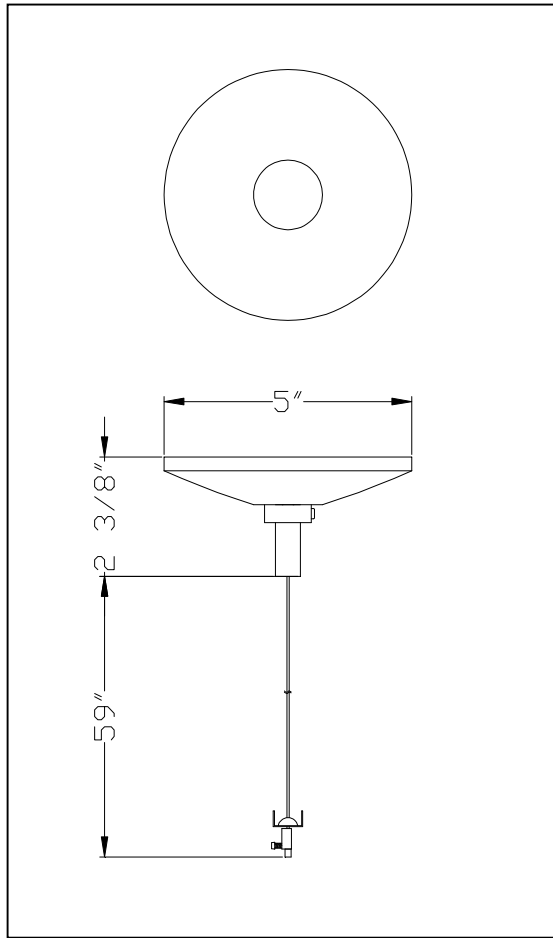




CAL LIGHTING

3625 E. Philadelphia St. Ontario CA. 91761 • Tel: 909.947.5200 • Fax:
909.947.5673 • www.calighting.com • service@calighting.com •
Specifications subject to change without notice

Type: _____
Project: _____
Catalog No.: _____
Lamp/Wattage: _____



Model No. : HT-304

Description : Pendant w/6' cable, 5" base diameter

Voltage : 120 V

Ampere: 20 A

Finish : BK (black), WH (white)

Certificate :  US