

# Installation Instructions

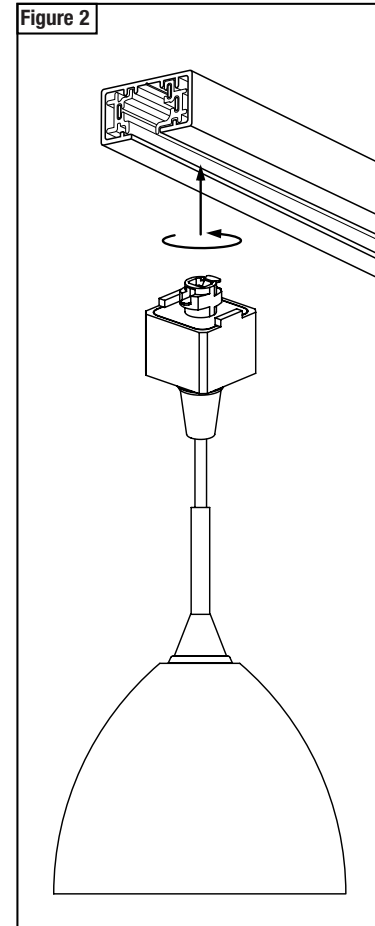
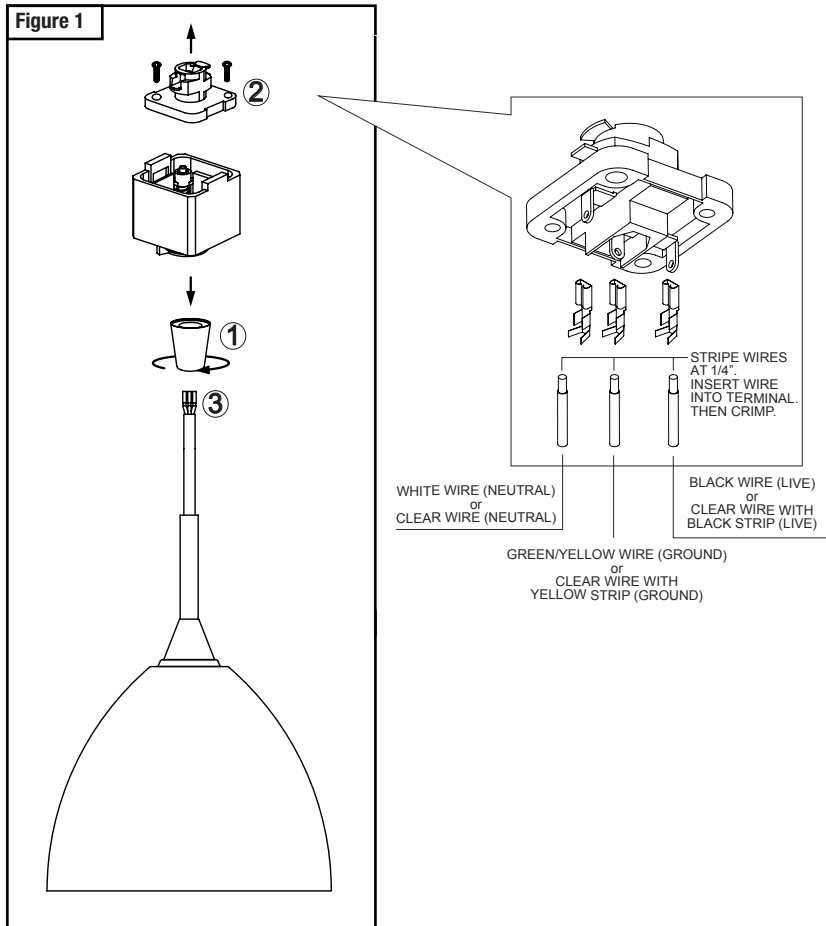
\*\*\*URGENT: READ PRIOR TO ATTEMPTING INSTALLATION\*\*\*

## NT-368 PENDANT TO TRACK ADAPTER

⚠️ MAXIMUM PENDANT WEIGHT: 10 LBS

**INSTALLATION SHOULD BE CARRIED  
OUT BY YOUR LOCAL ELECTRICIAN.**

**ALWAYS TURN OFF MAIN POWER BEFORE INSTALLATION**



**Figure 1**

1. Remove track coupler and place over pendant cord.
2. Remove screws from track adapter and lift the contact plate.
3. Pull pendant cord up through the open track adapter and attach the gold leads provided to the ends of the pendant cord wire.

**Note:** Make sure that the pendant cord is at your desired length.

**Figure 2**

1. Match the polarity line on the fixture to the polarity groove on track.
2. Turn the fixture counter-clockwise until the contact head can be inserted into the track.
3. Push the fixture straight into track.
4. Rotate the contact head adapter clockwise until it locks into place.