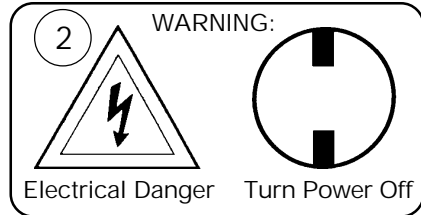
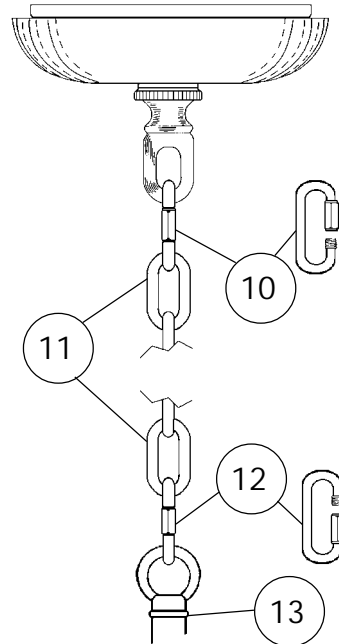
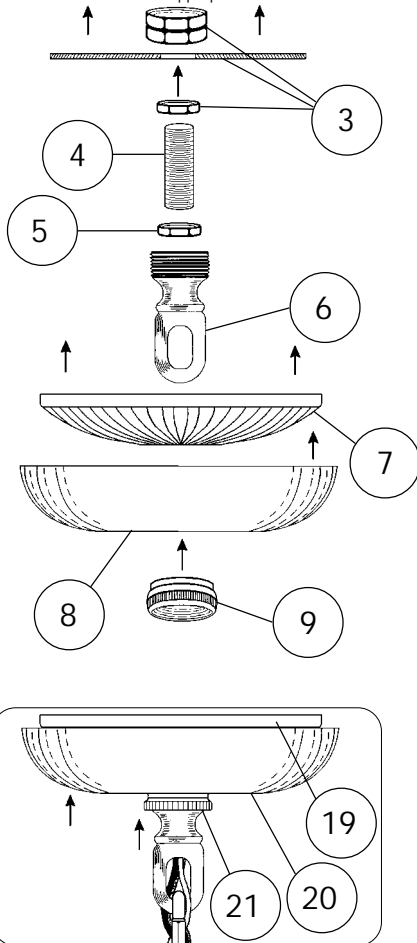


Instructions for electrician STEPS 2 - 21

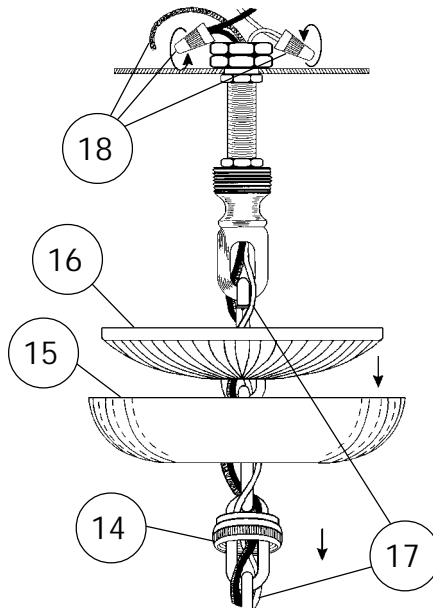
WARNING: THIS LUMINAIRE MUST BE MOUNTED OR SUPPORTED INDEPENDENTLY OF AN OUTLET BOX.



All electrical components must be installed by a licensed electrician in accordance with the National Electric Code and the appropriate local electrical codes.

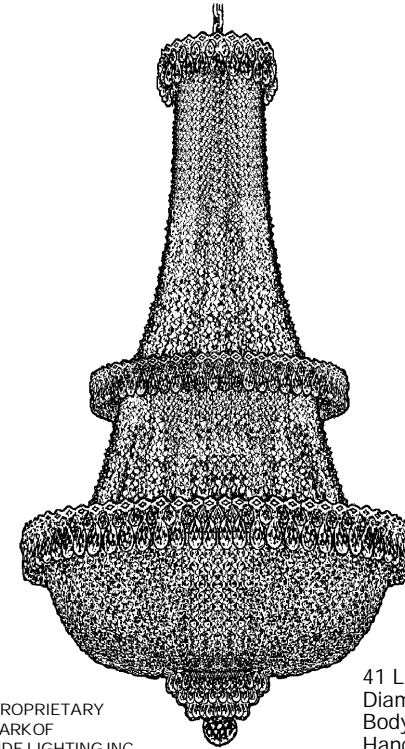


NOTE:
SLIDE LOOSE RING #2 ONTO
FRAME BEFORE ATTACHING
FRAME TO CHAIN!



CHANDELIER 2638-___ __ TRIM DIAGRAM

(Finish Option)



THIS DESIGN IS THE PROPRIETARY TRADE DRESS/TRADEMARK OF SCHONBEK WORLDWIDE LIGHTING INC.

41 Lights
Diameter: 28"
Body Length: 49-1/2"
Hanging Weight: 50 lbs.

SCHONBEK®


See diagram on back page
Follow steps in exact order
Save this trim diagram for future reference

1 **IMPORTANT**
Person who opens carton should record the following information for future service.
CODE # _____ Four-digit number on outside of carton.
PACKER # _____ See crystal package label.
ORDER # _____ See crystal package label.

SCHONBEK IS A WORLD LEADER IN CHANDELIER DESIGN. PATENTS INCLUDE:
#D5,222,805

Instructions for crystal trimming
STEPS 22 - 38

22

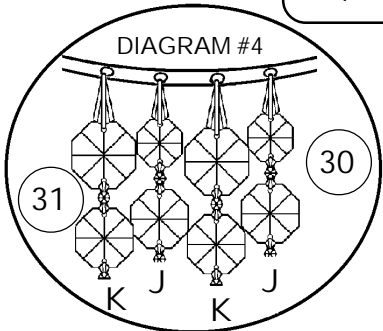


You will need 41 - C10
25 Watts Recommended
60 Watts Max

Install bulb and be sure
to test fixture BEFORE
trimming.


23 Attach the bottom
finial section by
attaching the jackchain into
the half ball located on the
bottom of the frame.

NOTE: Hang drop
"C" from scallop,
NOT through the
loop on the gallery.

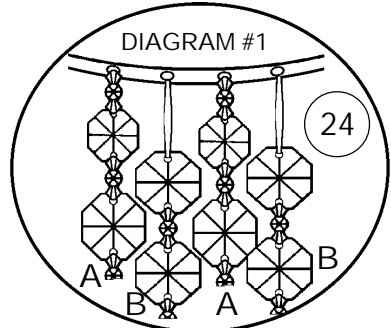
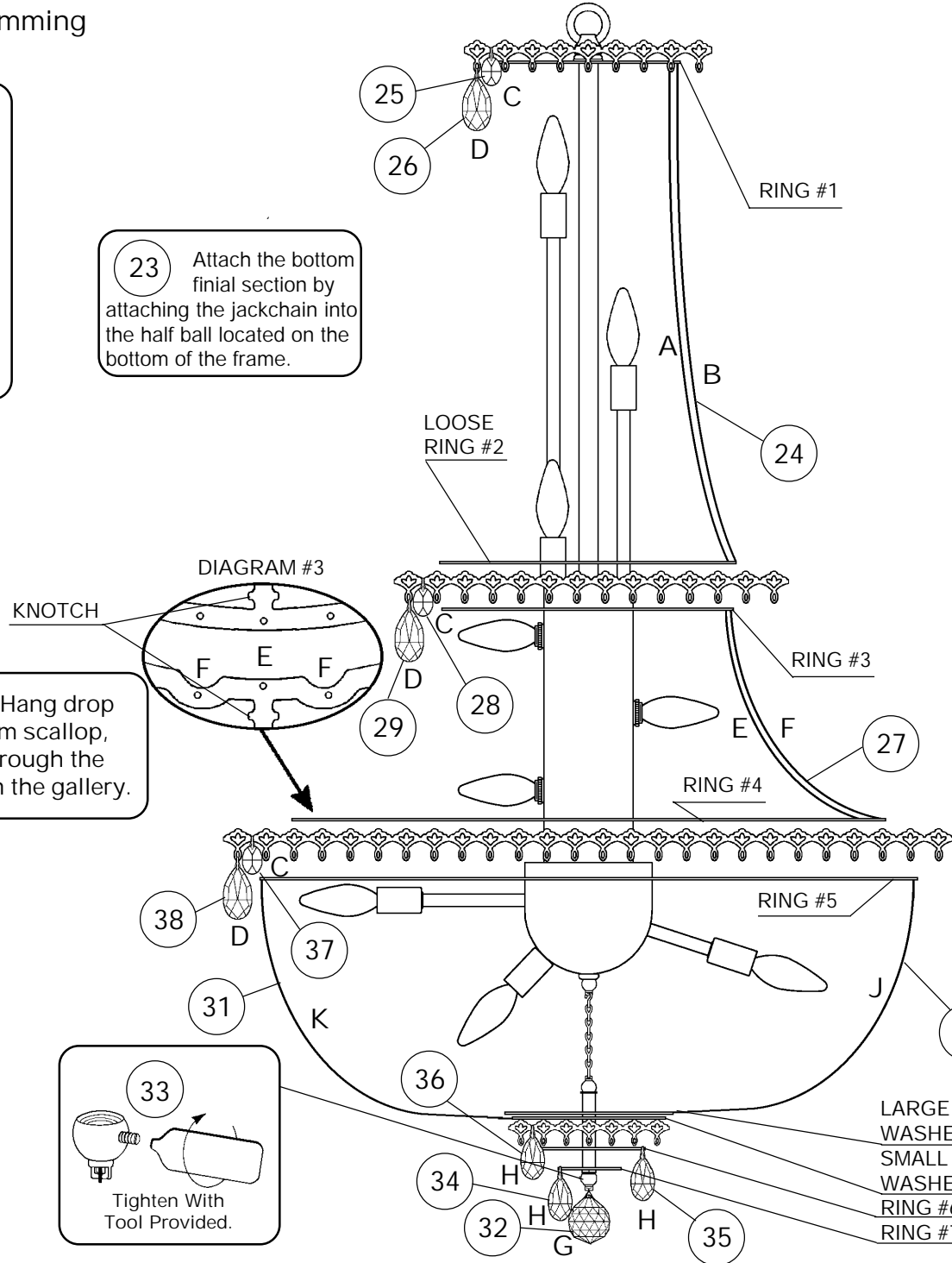


Large jewel at top and graduates to
a smaller jewel toward bottom of
chain.

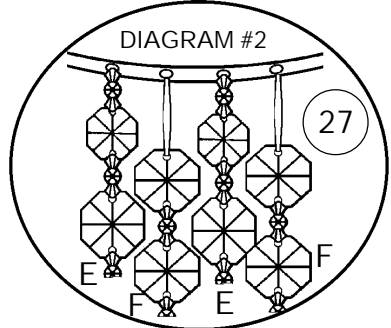
33



Tighten With
Tool Provided.



Small jewel at top and graduates to
a larger jewel toward bottom of
chain.



Large jewel at top and graduates to
a smaller jewel toward bottom of
chain.
Start Chains "E" in hole of knotch
on ring #3 and other end in hole of
knotch on ring #4 (see diagram #3).

NOTE: Raise the large
finial washer for easier
installation of Chains "K".

