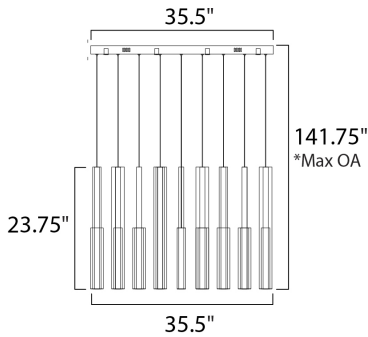




**PRODUCT DESCRIPTION**

Elongated metal tubes in a variety of finishes from Rose Gold to Polished Chrome suspend from pans to create impressive sculptural statements. Each tube encase a replaceable integrated LED module while many of the ceiling pans house additional LED spots to highlight the beautiful high gloss finishes as well as additional down light.



\*max overall height

**MEASUREMENTS**

- DIMENSION : 35.5" L x 11.75" W x 23.75" H
- MAX OAH : 141.75" OAH
- CANOPY : 12" W x 1.75" H x 35.5" L
- HANGING WEIGHT : 50.16 lb

**LAMPING**

- LUMENS : 8,330 Rated
- BULB : 35 x LED PCB Integrated , 119W Total
- BULB INCLUDED : (Integrated)
- DIMMABLE : Triac CL
- CRI : 90+ CRI
- COLOR\_TEMP : 3000K

**FINISHES OPTION**



**MATERIAL**

Stainless Steel

**RATINGS**

cETLus  
Dry Location



**ADDITIONAL**

ADJUSTABLE  
OPERATING TEMPERATURE:  
-20°C (-4°F), 40°C (104°F)

Always consult a qualified electrician before installing any lighting product.



**WESTERN DISTRIBUTION CENTER (HEADQUARTER)**  
253 NORTH VINELAND AVE | CITY OF INDUSTRY, CA 91746  
**EASTERN DISTRIBUTION CENTER**  
4200 SHIRLEY DR. | ATLANTA, GA 30336  
P. 626.956.4200 | F. 626.956.4225 | et2online.com