



# CAL LIGHTING

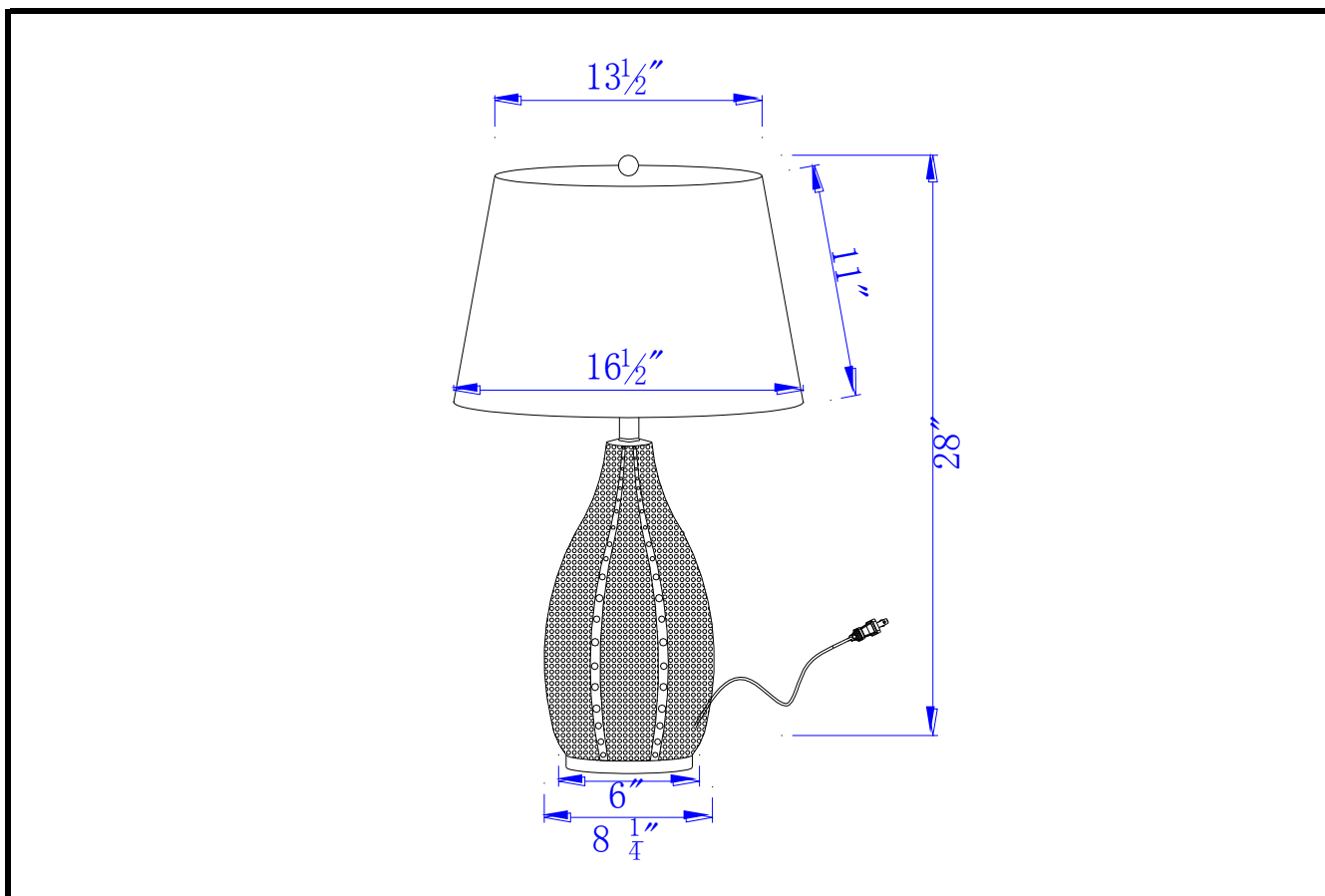
3625 E. Philadelphia St. Ontario CA. 91761 • Tel: 909.947.5200 • Fax:  
909.947.5673 • www.calighting.com • service@calighting.com •  
Specifications subject to change without notice

Type: \_\_\_\_\_

Project: \_\_\_\_\_

Catalog No.: \_\_\_\_\_

Lamp/Wattage: \_\_\_\_\_



**Model No:** BO-2680TB-2

**Description:** 150W 3 way Bosque ceramic table lamp. **Sold and Priced in pairs**

**Material:** Ceramic

**Finish :** Charcoal

**Height:** 28"

**Base Width:** Dia.6"

**Wattage :** 150W

**Socket :** Medium Base (E27)

**Switch:** 3-way

**Bulb:** Incandescent, CFL

**Wire Length:** 6'

**Wire Color:** Matching body

**Shade No:**

**Material:** Fabric

**Shade size:** 13 1/2"x 16 1/2"x11"

**Certificate :** 