



# CAL LIGHTING

3625 E. Philadelphia St. Ontario CA. 91761 • Tel: 909.947.5200 • Fax:  
909.947.5673 • www.calighting.com • service@calighting.com •  
Specifications subject to change without notice

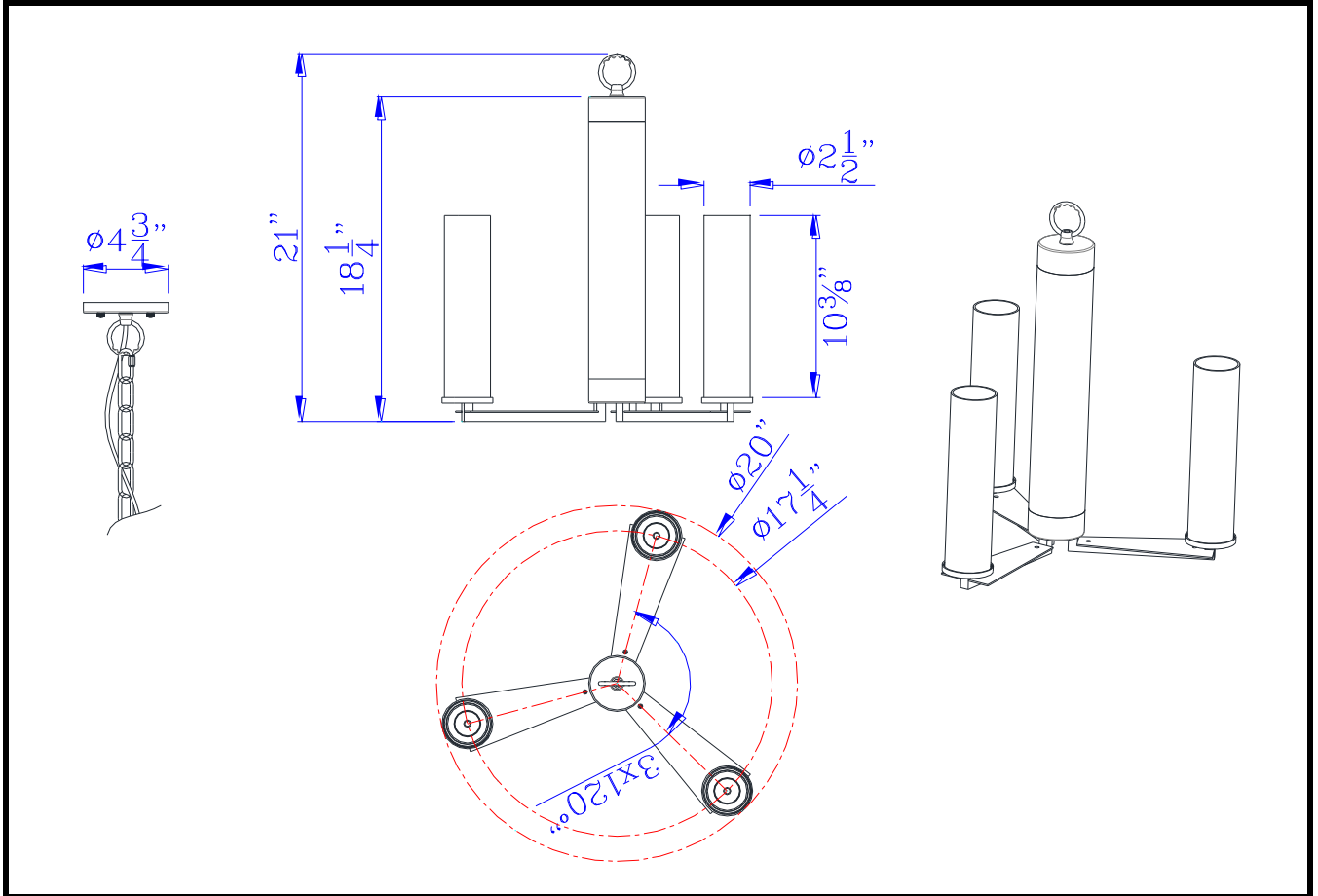
Type: \_\_\_\_\_

Project: \_\_\_\_\_

Catalog No.: \_\_\_\_\_

Lamp/Wattage: \_\_\_\_\_

## Drawing:



- Model No:** FX-3665-3
- Description:** 60W x 3 Silverton metal/wood 3 light chandelier with glass shades. Edison Bulbs included
- Material:** Metal/Wood
- Finish :** Dark Bronze/Wood
- Height:** 21"
- Width:** 20"
- Reach:** 20"
- Wattage :** 60W X 3
- Socket :** Medium Base (E26)
- Bulb:** Incandescent,CFL
- Chain Length:** 6'
- Wire Length:** 10'
- Wire Color:** Black
- Shade No:**
- Material:** Glass
- Shade size:** 2 1/2x2 1/2x10 3/8"

**Certificate :**

