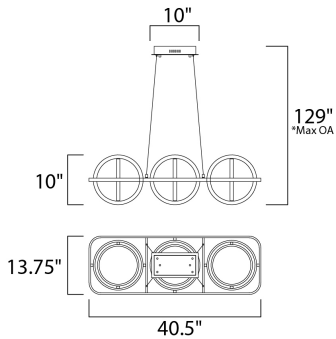




**PRODUCT DESCRIPTION**

A very unique and interesting design that features concentric bands of Polished Chrome or Black that rotate on 3 axis points and adjusts in multiple directions similar to a gyro. The edge of each slender band encases a small LED strip covered by a frosted lens. This work of art is so much more than just a lighting fixture.



\*max overall height

**MEASUREMENTS**

- DIMENSION : 40.5" L x 13.75" W x 10" H
- MAX OAH : 129" OAH
- CANOPY : 4.75" W x 2" H x 10" L
- HANGING WEIGHT : 13.2 lb

**LAMPING**

- LUMENS : 5,140 Rated
- BULB : 6 x 73W LED PCB Integrated , 73W Total
- BULB INCLUDED : (Integrated)
- DIMMABLE : Triac CL
- CRI : 80+ CRI
- COLOR\_TEMP : 3000K

**FINISHES OPTION**

- Black / Polished Chrome

**MATERIAL**

Aluminum, Metal, Acrylic

**RATINGS**

cETLus  
Dry Location



**ADDITIONAL**

ADJUSTABLE  
SLOPE: 120  
OPERATING TEMPERATURE:  
-20°C (-4°F), 40°C (104°F)

Always consult a qualified electrician before installing any lighting product.



**WESTERN DISTRIBUTION CENTER (HEADQUARTER)**  
253 NORTH VINELAND AVE | CITY OF INDUSTRY, CA 91746  
**EASTERN DISTRIBUTION CENTER**  
4200 SHIRLEY DR. | ATLANTA, GA 30336  
P. 626.956.4200 | F. 626.956.4225 | et2online.com