

BUTLER

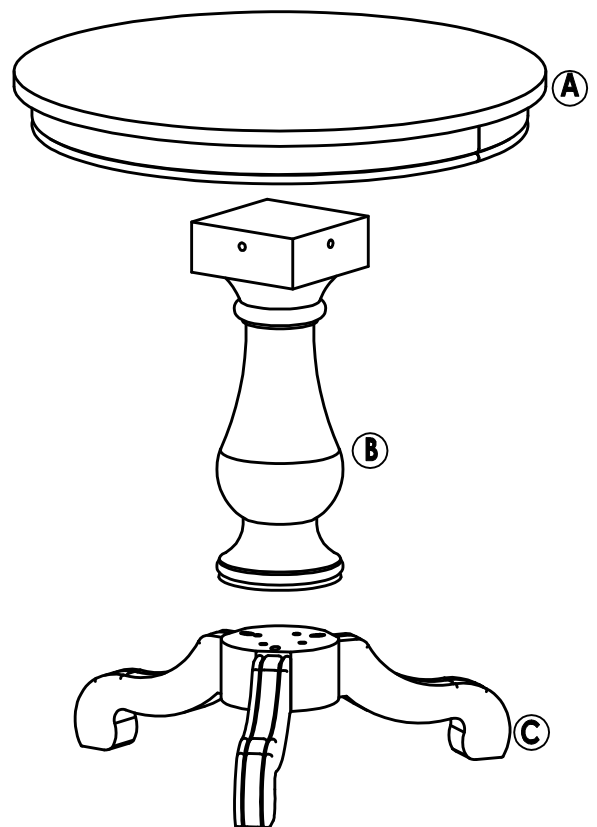
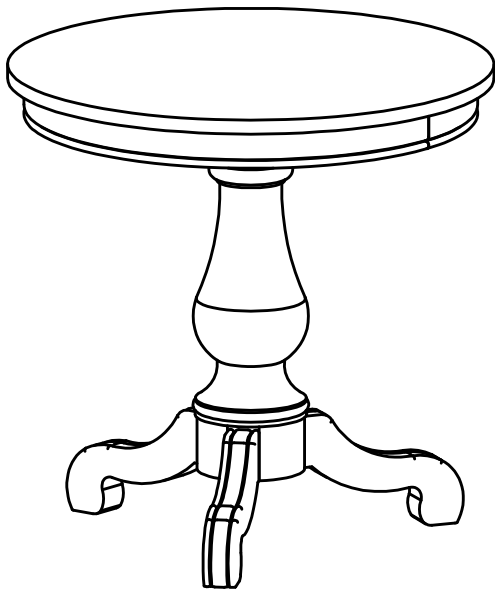
Assembly Instructions

5515329 & 5515415

Accent Table

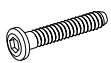
SPECIALTY COMPANY

8200 SOUTH CHICAGO AVE. CHICAGO, IL 60617

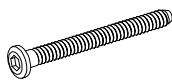


ITEM	DESCRIPTION	QUANTITY
A	Table Top	1
B	Padestal	1
C	Leg	1

hardware



H1 x 4
short bolts m6 x 40mm



H2 x 2
long bolts m6 x 90mm



H3 x 6
flat washers



H4 x 6
spring washers



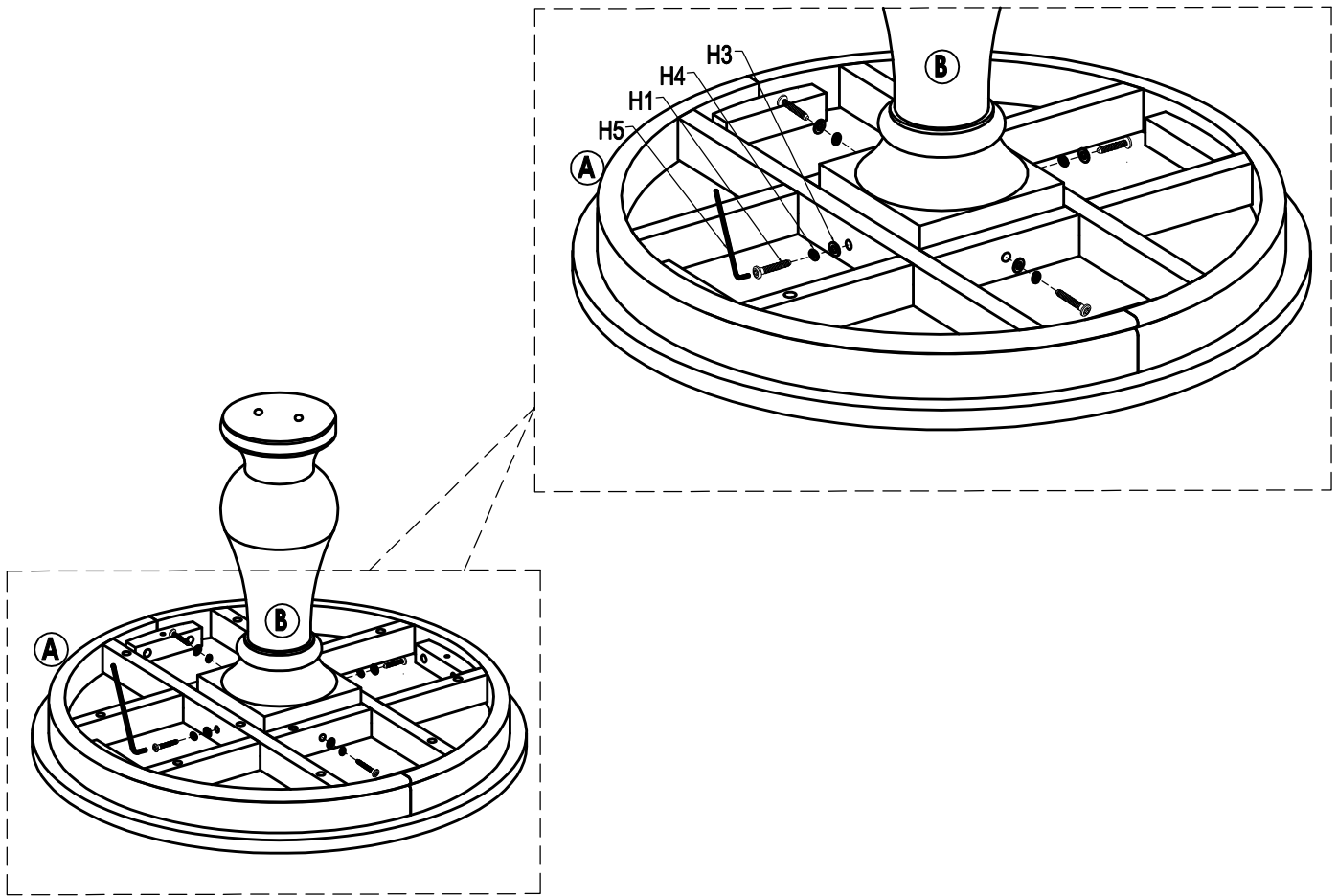
H5 x 1
Allen key #4



H6 x 2
Dowel

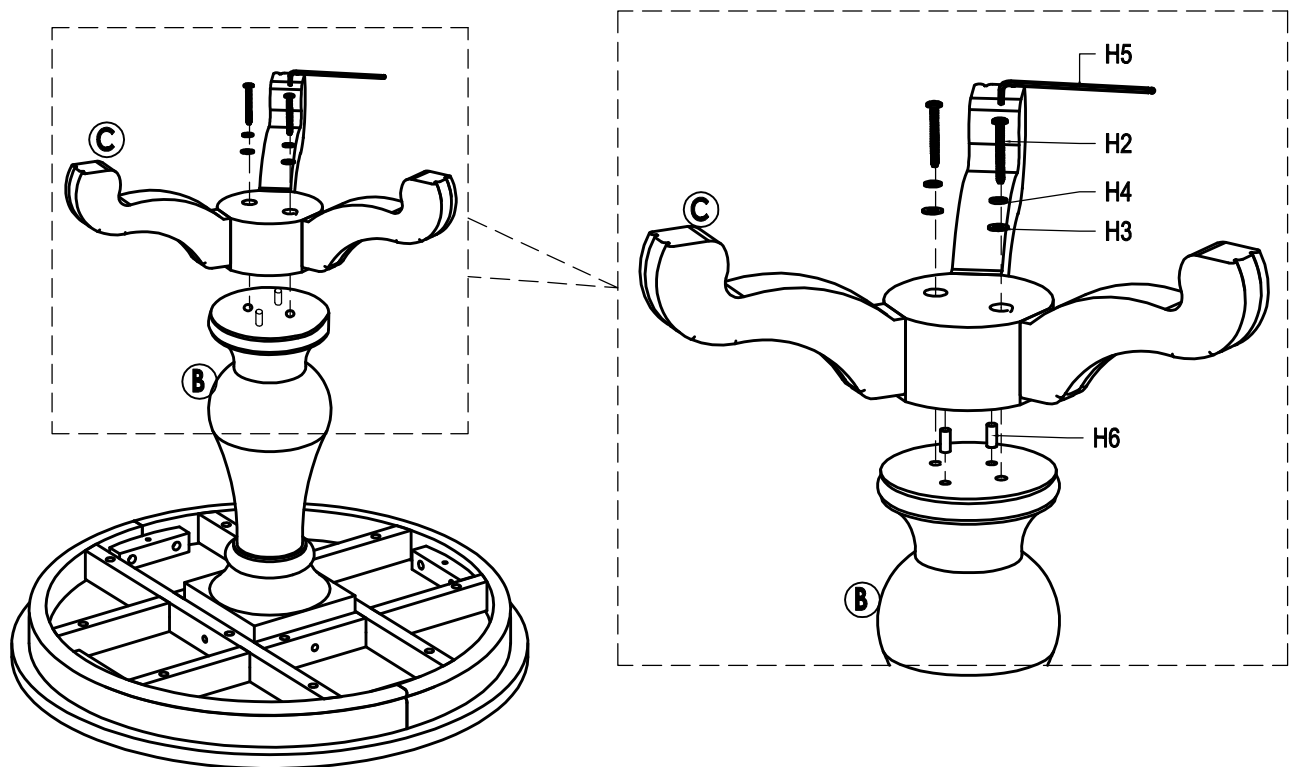
STEP 1

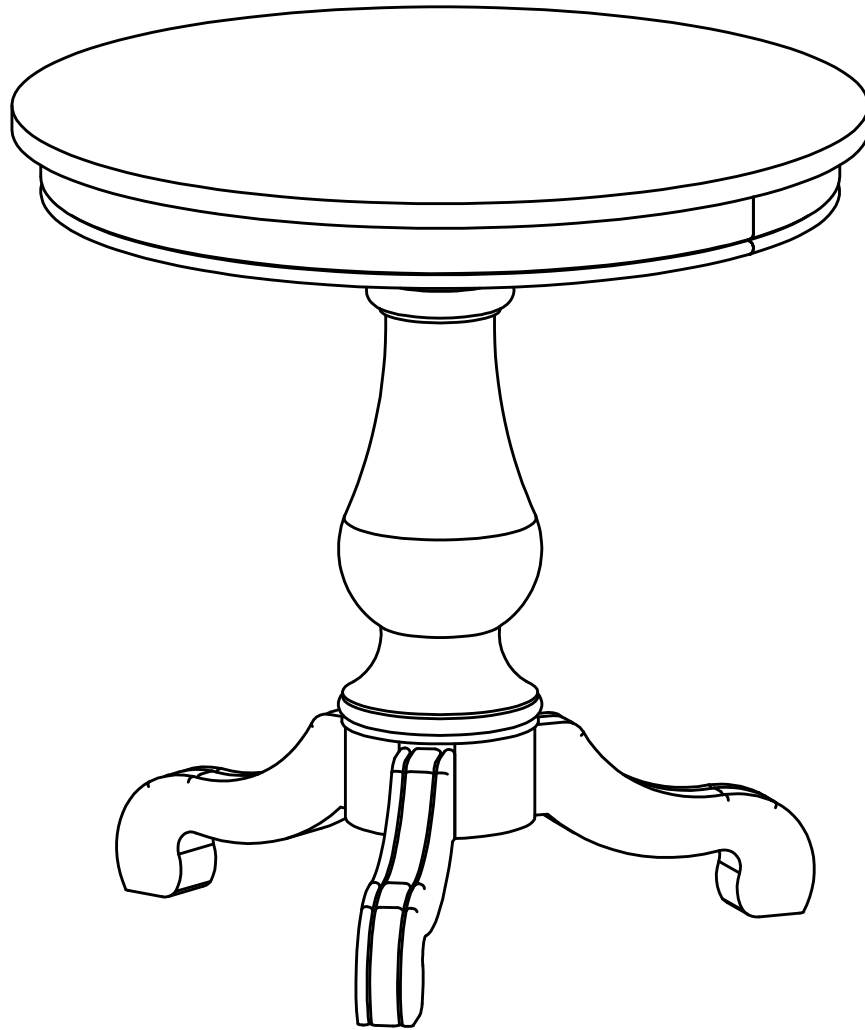
Lay the Table Top (A) up side down, secure the Pedestal (B) to the Table Top (A) using short bolts (H1) , flat washer (H3) , and spring washer (H4) . Fully tighten the short bolts (H1) with provided allen key (H5)



STEP 2

Insert dowel (H6) to the holes on the pedestal (B) , then line up the dowels to corresponding holes on the Leg (C) . Secure the Pedestal (B) and flat washer (H3) and spring washer (H4) . Fully tighten the long bolts (H2) using provided allen key (H5)





Congratulations

Assembly complete, Your Accent Table is ready to use

(*) Caution : DO NOT OVERTIGHTEN

In any correspondence regarding this product, please include the complete Butler identification number located on the underside of the product.

We hope this product will be a useful and decorative addition to your home for years to come

Copyright© Butler Specialty Company, 7 / 20