

LED Product Information and Warnings

Important

- **Always disconnect the power before installing or replacing bulbs and before cleaning or other maintenance.**
- **Consult a qualified, licensed electrician to ensure correct branch circuit conductor.**
- Please read all included assembly instructions and warnings carefully before installation. Contact Customer Service if you have any questions or concerns. Before installation, please confirm that the fixture is compatible with your supply voltage and dimming system, if present.
- LEDs are highly sensitive electronic devices, and must be treated with care. Do not open any factory sealed compartments, and avoid touching the LEDs with your hands or any object.
- Although all our fixtures are equipped with protective devices, LED fixtures are vulnerable to power surges and supply variations. Do not install LED fixtures on the same circuit as any motors, appliances, or HVAC systems.
- Do not remove or bypass any LED Driver or Transformer that is provided with the fixture, and do not replace or substitute with another power supply.
- Remote LED Driver or Transformer installation must be done by a licensed electrician and in accordance with local codes. Remote installations should be in an accessible location, as close to the fixture as possible.
- Fixtures must be wired in parallel on independent leads; do not "daisy chain" multiple fixtures together or wire them in series.
- All factory-made splices and connections must remain intact. LED circuits are carefully designed and built, and improper connections may damage the fixture.
- The ends of coaxial pendant cords have been precisely stripped and split at the factory and must not be field cut. Excess cord or cable should be neatly coiled and reserved in the fixture canopy.
- Any mounting hardware is provided for your convenience and should be used with discretion. Always use the appropriate hardware for the mounting surface.

Assembly Instructions

1773

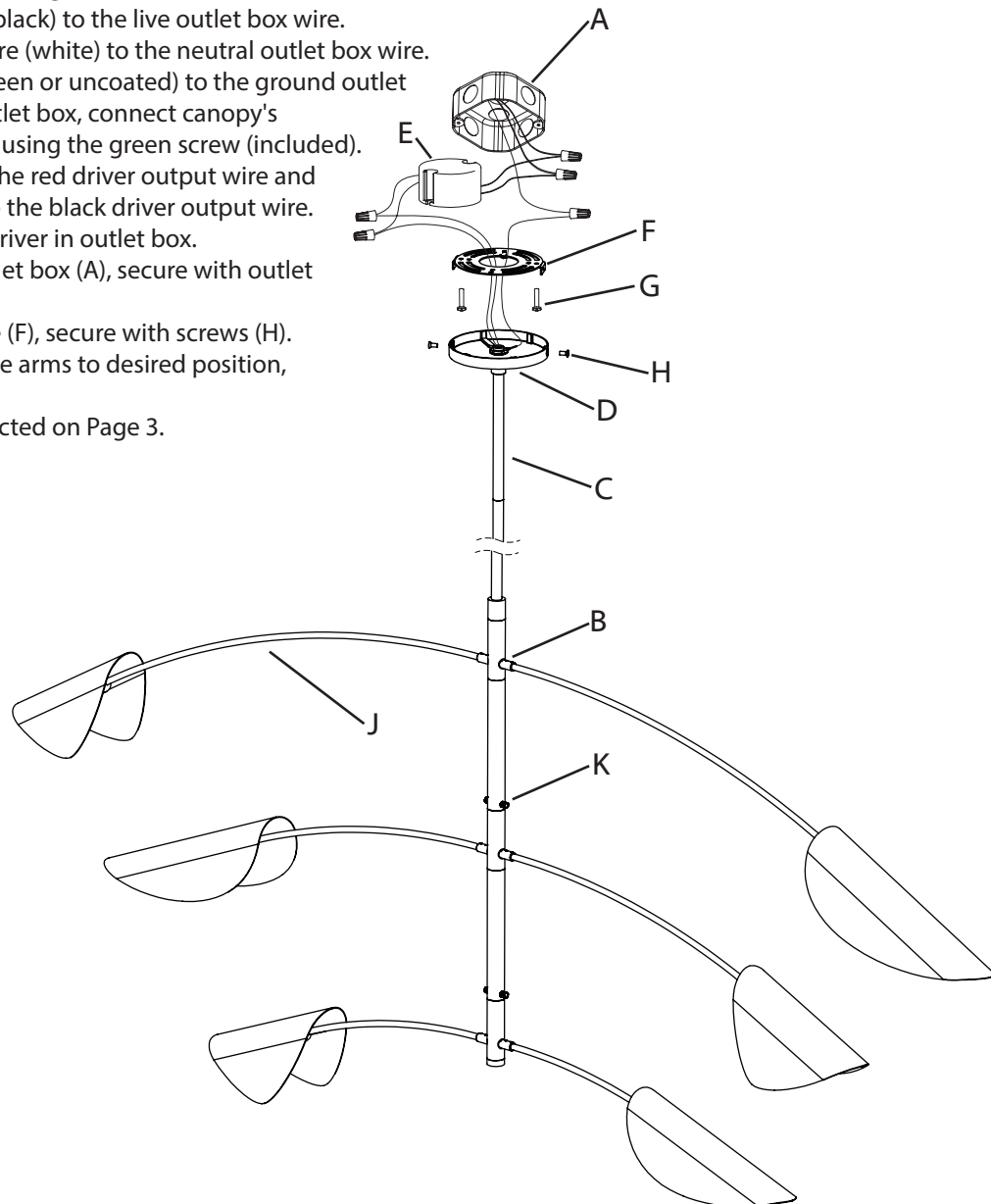
INSTRUCTIONS D'INSTALLATION

Mobile Series - LED Pendant

Important

- **Always disconnect the power before installing or replacing bulbs and before cleaning or other maintenance.**
- **Consult a qualified, licensed electrician to ensure correct branch circuit conductor.**
Consulter un électricien qualifié pour vous assurer que les conducteurs de la dérivation sont adéquats.

1. Shut off power to the outlet box (A).
2. Determine the height at which the fixture (B) is to be hung. Feed the fixture wires through the appropriate number of stem sections (C) for the desired length and screw them together and into the fixture.
3. Feed the fixture wires through the canopy (D) and screw the canopy onto the stem (C).
4. Make appropriate electrical connections using wire nuts:
 - a. Connect the LED driver's (E) live wire (black) to the live outlet box wire.
 - b. Connect the LED driver's (E) neutral wire (white) to the neutral outlet box wire.
 - c. Connect the canopy's ground wire (green or uncoated) to the ground outlet box wire. If no ground is present in outlet box, connect canopy's ground wire to the mounting plate (F) using the green screw (included).
 - d. Connect the fixture red conductor to the red driver output wire and connect the fixture black conductor to the black driver output wire.
 - e. Carefully place connections and LED driver in outlet box.
5. Attach the mounting plate (F) to the outlet box (A), secure with outlet box screws (G).
6. Attach canopy (D) to the mounting plate (F), secure with screws (H).
7. Loosen thumb screws (K) on stems, rotate arms to desired position, and retighten thumb screws
8. Attach the shades and diffusers as instructed on Page 3.
9. Restore power to the outlet box (A).



Note

- **This fixture is dimmable with Electronic Low Voltage (Trailing-Edge) type dimmers and Incandescent (Leading-Edge) type dimmers.**

Care Instructions

- **Dusting: Use a clean, dry cloth.**
- **Cleaning: To protect the finish, avoid any harsh abrasives or chemicals.**

Assembly Instructions

1773

INSTRUCTIONS D'INSTALLATION

Movile Series - LED Pendant

Following Fig. 1 for arrangement of shades and diffusers, attach shades (O) by sliding them onto ends of arms (P), then securing them by screwing on the diffusers (N).

'S' refers to the small size of shade and diffuser.

'M' refers to the medium size of shade and diffuser.

'L' refers to the large size of shade and diffuser.

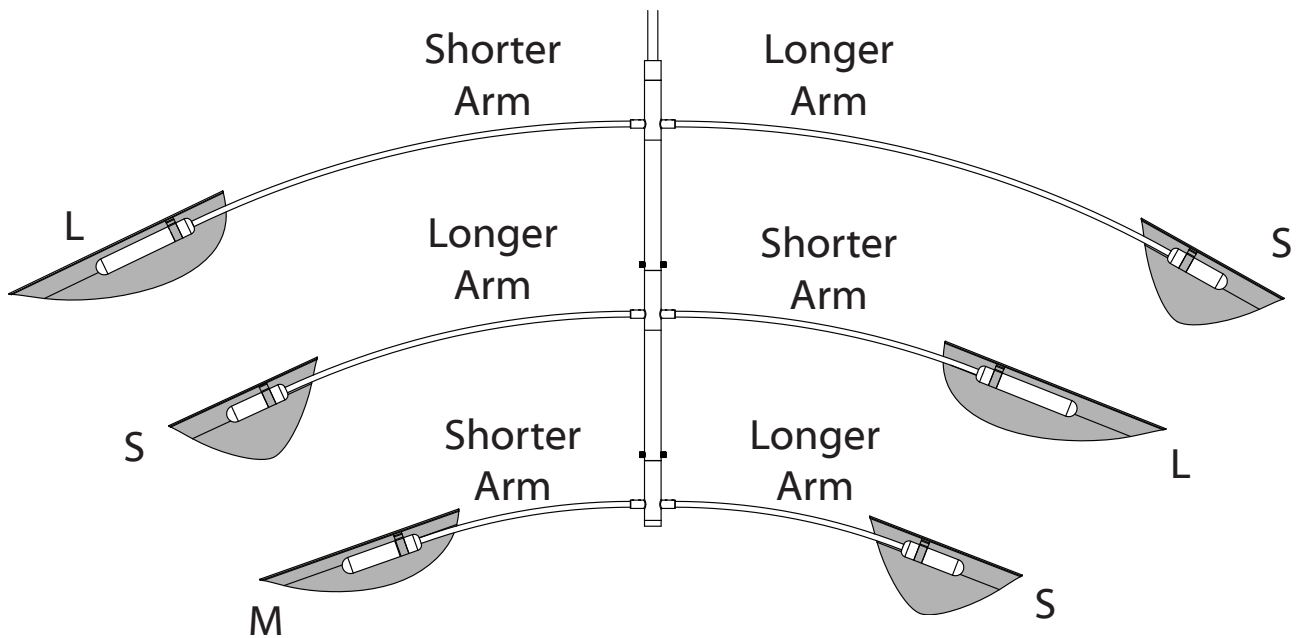
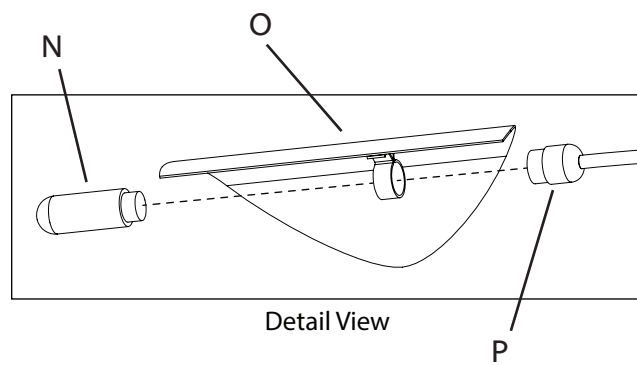


Fig. 1