

FLOURESCENT WALL MOUNT FIXTURE ASSEMBLY & INSTALLATION INSTRUCTIONS

Please read carefully and save these instructions, as you may need them at a later date.

CAUTION

Turn off the main power at the circuit breaker before installing the fixture, in order to prevent possible shock.

GENERAL

All electrical connections must be in accordance with local and national electrical code (N.E.C) standards. If you are unfamiliar with proper electrical wiring connections obtain the services of a qualified electrician.

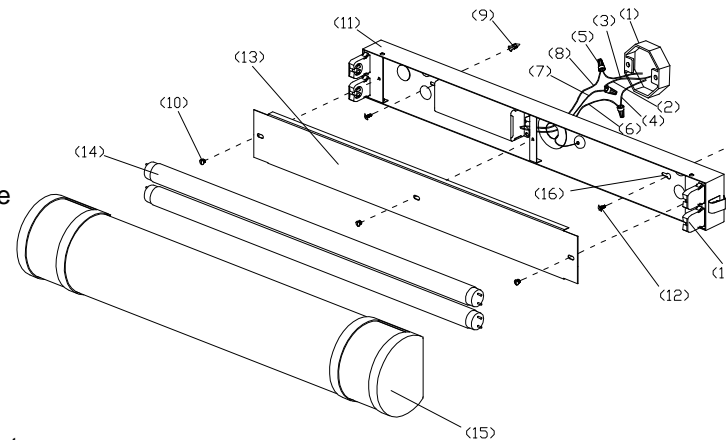
Remove the fixture and the mounting package from the box and make sure that no parts are missing by referencing the illustrations on the installation instruction.

ASSEMBLY AND INSTRUCTION

1. Turn off the power.
2. Pull out the Acrylic Lens (15). from the Wire Cover (13).
3. Pull the Supply Wires (2) & (3) and the house Ground Wire (4) out from the Outlet Box (1).
4. Slide the Fixture Body (11) out from the Wire Cover (13).
5. Position your fixture over the Outlet Box (1). Mark the location of the two Keyhole Slots (16) located on the Fixture Body (11). Be sure to mark only the narrow parts of the Keyhole Slots (16). Remove the Fixture Body (11) from the wall. Drill the two holes using the appropriately sized drill bit. Insert the provided Ceiling Anchors (9) into the holes.
6. Pull all the fixture wires through hole on the Fixture Body (11).
7. Make the wiring connections: connected the White Supply Wire (2) to the White Fixture Wire (7); connect the Black Supply Wire (3) to the Black Fixture Wire (8); connect the House Ground Wire(4) to the Fixture Ground Wire (6) using Wire Connectors (5).

8. Carefully tuck all wires back into the Outlet Box (1). Put the Anchor Screws (12) into the drill-holes; locate the Fixture Body (11) over the Outlet Box (1). Then secure the mounting screws to the Outlet Box (1) tightly. Secure the Anchor Screws (12) to the anchors.
9. Slide in the Wire Cover (13) to the Fixture Body (11) and secure it by 3 Screws (10).
10. Now you are ready to install the Lamp (14) into the Socket (17). Do not exceed recommended maximum wattage.
11. Place the Acrylic Lens (15) over the Fixture Body (11).

INSTALLATION IS NOW COMPLETED



1. OUTLET BOX
2. WHITE SUPPLY WIRE
3. BLACK SUPPLY WIRE
4. HOUSE GROUND WIRE
5. WIRE CONNECTORS
6. FIXTURE GROUND WIRE
7. WHITE FIXTURE WIRE
8. BLACK FIXTURE WIRE
9. CEILING ANCHORS
10. SCREWS
11. FIXTURE BODY
12. ANCHOR SCREWS
13. WIRE COVER
14. LAMP
15. ACRYLIC LENS
16. KEYHOLE SLOTS
17. SOCKET