



CAL LIGHTING

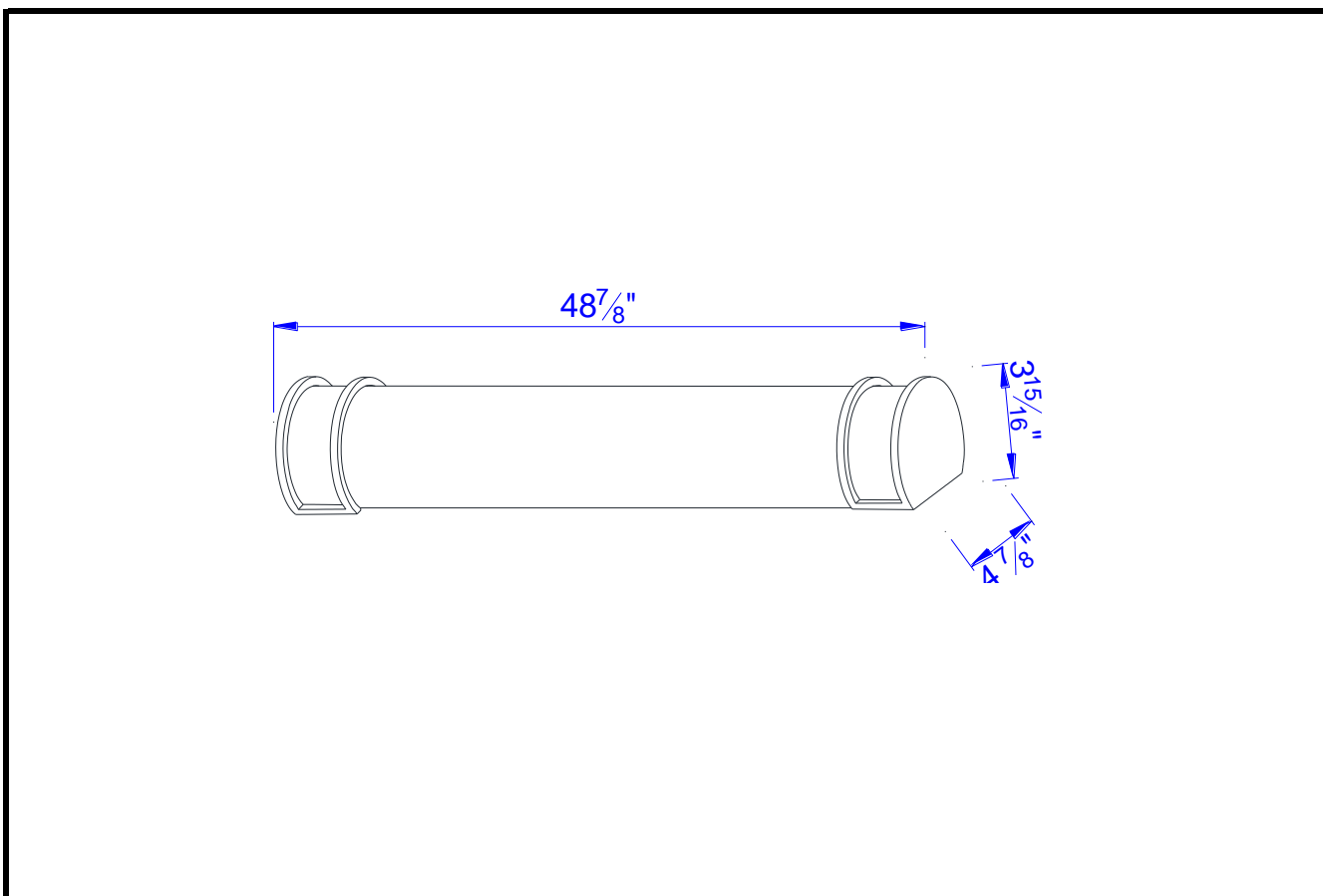
3625 E. Philadelphia St. Ontario CA. 91761 • Tel: 909.947.5200 • Fax:
909.947.5673 • www.calighting.com • service@calighting.com •
Specifications subject to change without notice

Type: _____

Project: _____

Catalog No.: _____

Lamp/Wattage: _____



- Model No:** LA-197L
- Description:** 32Wx2 T8 Steel/Acrylic vanity bathroom lighting fixture
- Material:** Metal/Acrylic
- Finish :** Brushed Steel
- Height:** H 3 15/16"XW 4 7/8"XL 48 7/8"
- Base Width:**
- Wattage :** 32Wx2
- Socket :** T8
- Switch:**
- Bulb:** T8
- Wire Length:**
- Wire Color:**
- Shade No:**
- Material:** Acrylic
- Shade size:**
- Certificate :**

