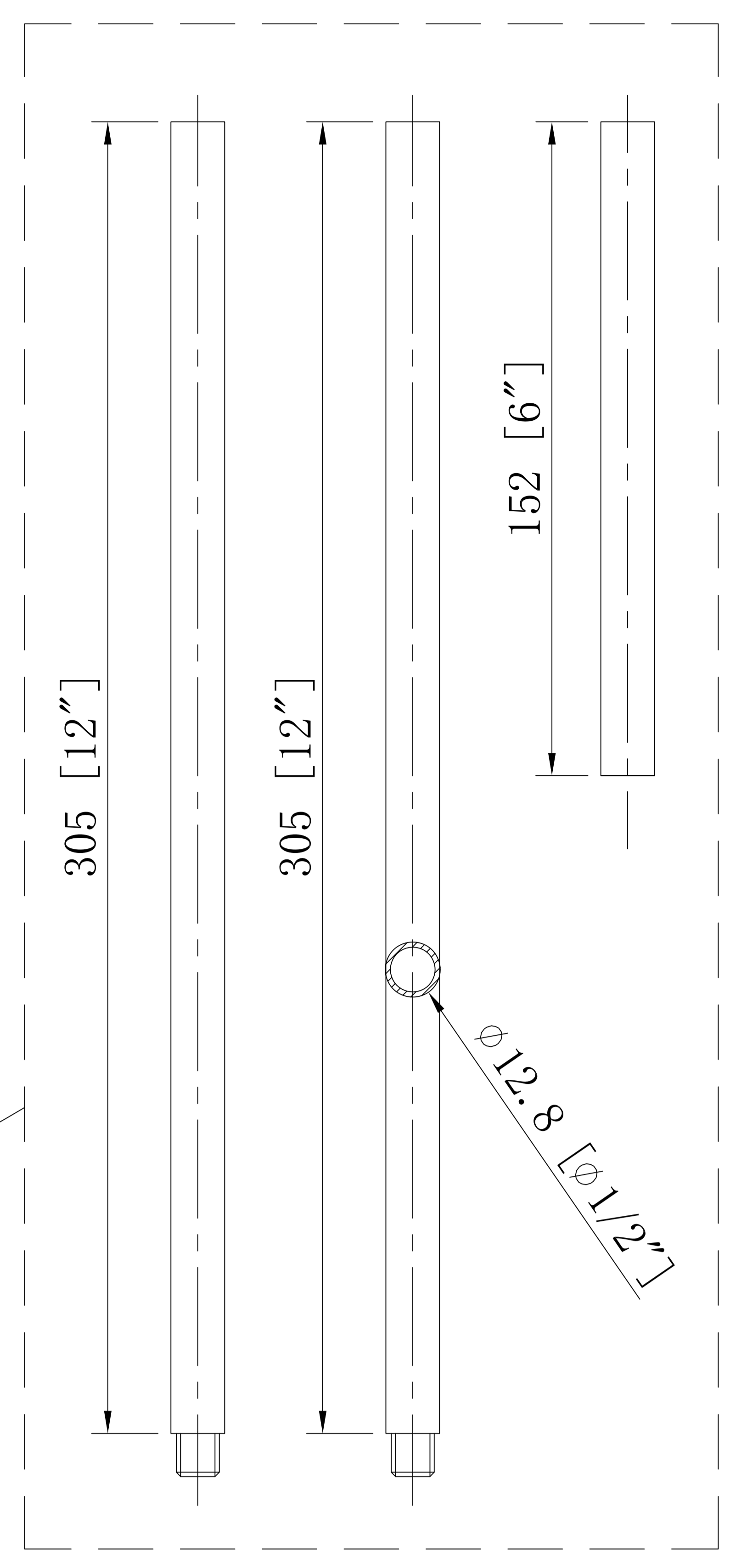
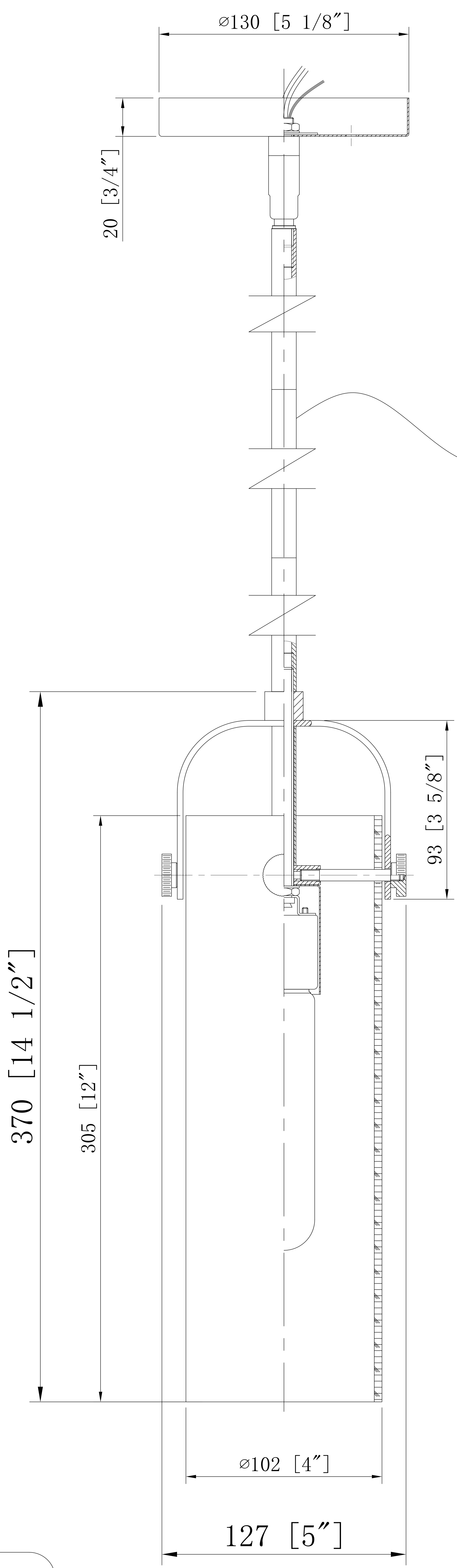


$\phi 10$  [ $\phi 3/8$ "]



INNOVATIONS LIGHTING  
 DESIGN COPYRIGHT - 04/02/2021  
 ALL RIGHTS RESERVED AND MAY  
 NOT BE DUPLICATED WITHOUT OUR  
 WRITTEN PERMISSION

ITEM: 423-1S-4CL (IN 12 INCH LENGTH)