



CAL LIGHTING

3625 E. Philadelphia St. Ontario CA. 91761 • Tel: 909.947.5200 • Fax:
909.947.5673 • www.calighting.com • service@calighting.com •
Specifications subject to change without notice

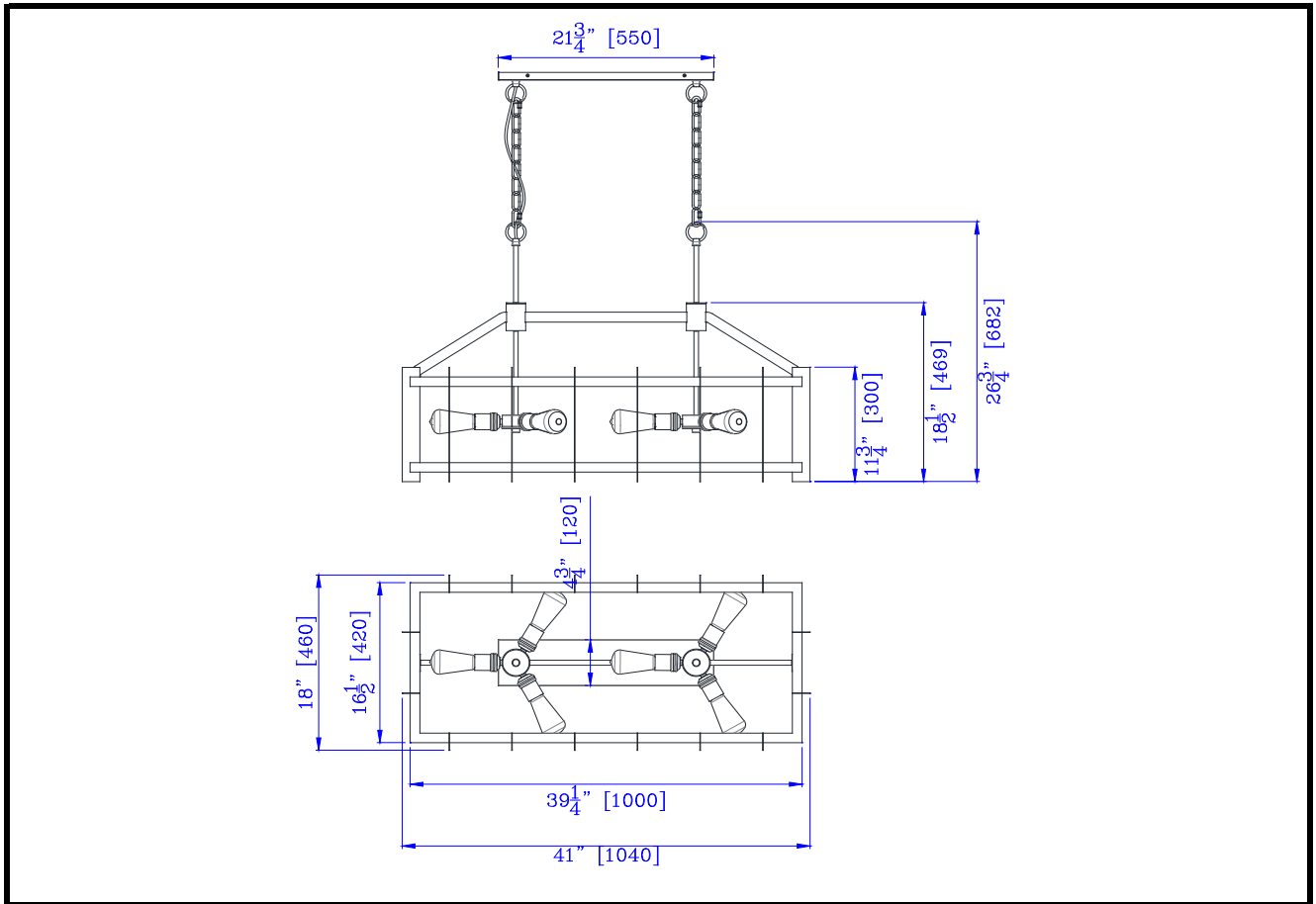
Type: _____

Project: _____

Catalog No.: _____

Lamp/Wattage: _____

Drawing:



- Model No:** FX-3705-6
Description: Bruck 60W x 6 metal/wood island chandelier (Edison bulbs not included)
Material: Wood/Metal
Finish : Iron/Light Oak
Height: 26 3/4"
Width: 41"
Reach: 18"
Wattage : 60Wx6
Socket : Medium Base (E26)
Bulb: Incandescent or CFL
Chain Length: 6'
Wire Length: 10"
Wire Color: Black
Shade No: None
Material:
Shade size:
Certificate :

