

TOB2730

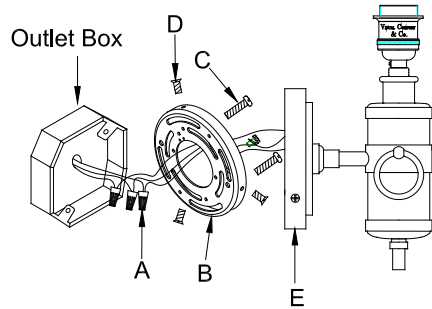
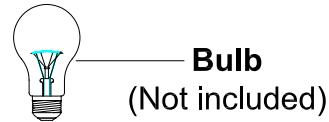
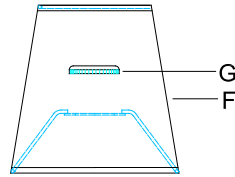
ASSEMBLY & INSTALLATION GUIDE

WE RECOMMEND INSTALLATION OF THIS LIGHTING FIXTURE BE DONE BY A LICENSED ELECTRICIAN.

WARNING * SWITCH OFF THE MAIN ELECTRICAL SUPPLY FROM THE MAIN FUSE BOX/CIRCUIT BREAKER BEFORE INSTALLATION.**

INSPECT ITEM CAREFULLY BEFORE ATTEMPTING TO INSTALL. IF THERE IS ANY DAMAGE OR OBVIOUS DEFECT, DO NOT INSTALL.

ITEM MAY NOT BE RETURNED ONCE IT HAS BEEN INSTALLED.



1. Carefully remove the mounting plate (B) from the back plate (E) by removing side screws(C).
2. Secure the mounting plate (B) to the outlet box in your wall using the two mounting screws (D).
3. Attach the ground wire from the fixture to the ground wire from the building using the provided wire nut (A).
4. IT IS IMPERATIVE THAT THIS FIXTURE BE GROUNDED.
5. Attach the common wire (ribbed, no words) from the fixture to the white wire from the building using the provided wire nut (A). Attach the hot wire (smooth, with words) from the fixture to the black wire from the building with the provided wire nut (A). Secure each connection by tightening and then checking that no wires can be pulled out.
6. IT IS IMPERATIVE THAT YOU NOT MIX THESE WIRES.
7. Carefully tuck the wires inside the outlet box. Make sure no wires can be pulled out.
8. Secure back plate (E) into mounting plate (B) with the two screws (C).
9. Align shade (F) to the top threaded section of the socket and secure with socket ring(G)
10. Insert bulb (not included) into socket
11. Installation is complete, turn on power at fuse or circuit breaker