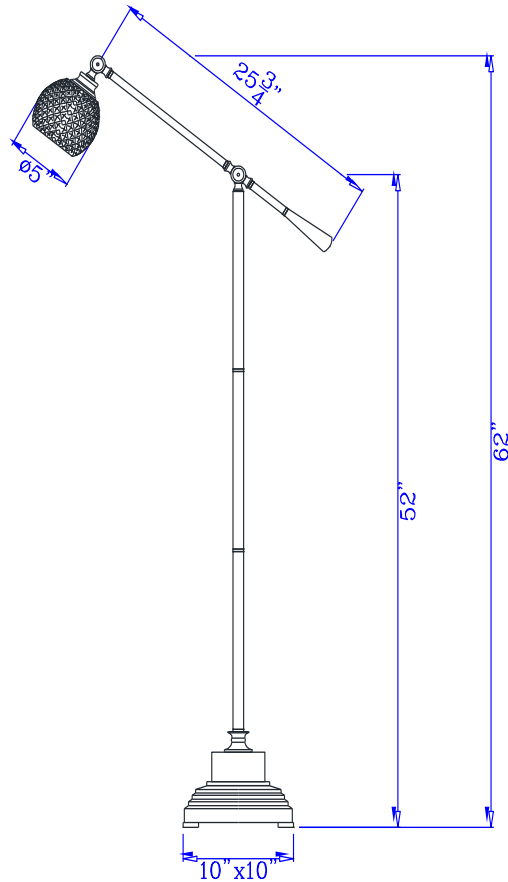




CAL LIGHTING

3625 E. Philadelphia St. Ontario CA. 91761 • Tel: 909.947.5200 • Fax:
909.947.5673 • www.calighting.com • service@calighting.com •
Specifications subject to change without notice

Type: _____
Project: _____
Catalog No.: _____
Lamp/Wattage: _____



Model No: BO-2777FL
Description: 60W Brandon metal floor lamp with glass shade
Material: Metal
Finish : DB (Dark Bronze)
Height: 62"
Reach: 28"
Base Width: 10"x10"
Switch: On/off
Wattage : 60W
Socket : Medium Base (E26)
Bulb: Incandescent, CFL
Wire Length: 6'
Shade No:
Material: Glass
Shade size: Dia.5"

Certificate :

