



CAL LIGHTING

3625 E. Philadelphia St. Ontario CA. 91761 • Tel: 909.947.5200 • Fax:
909.947.5673 • www.calighting.com • service@calighting.com •
Specifications subject to change without notice

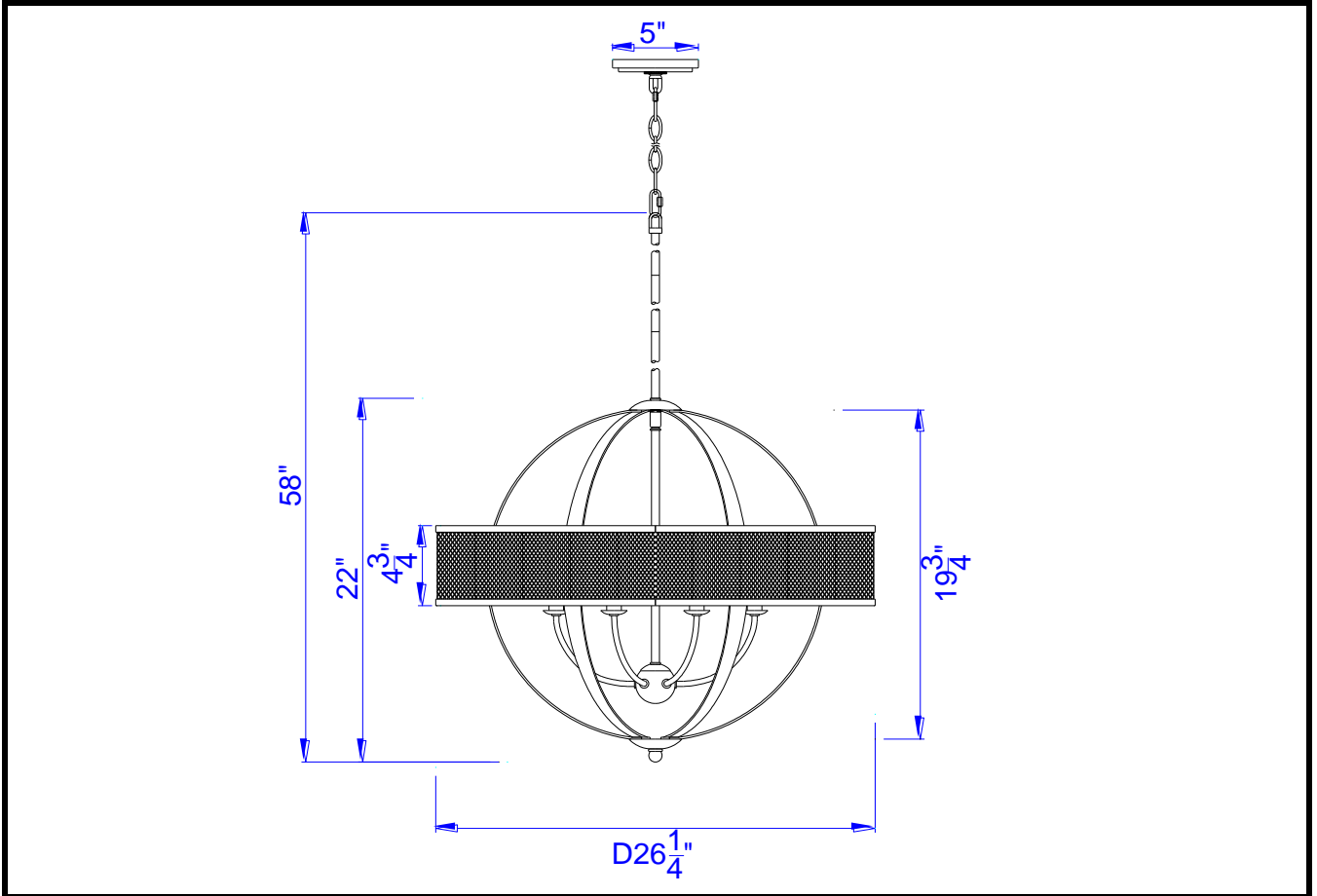
Type: _____

Project: _____

Catalog No.: _____

Lamp/Wattage: _____

Drawing:



- Model No:** FX-3622-6
- Description:** 60W x 6 Willow metal mesh shade chandelier
- Material:** Steel
- Finish :** Brushed Steel
- Height:** 58"
- Width:** Dia.26 1/4"
- Wattage :** 60WX6
- Socket :** Candelabra Base (E12)
- Bulb:** Incandescent,CFL
- Chain Length:** 6'
- Wire Length:** 10'
- Wire Color:** Silver
- Shade No:**
- Material:** Mesh
- Shade size:** Dia.26 1/4"XH 4 3/4"

Certificate :

