



Sheridan LED Adjustable Color Sconce SHS Series

Features

Transitional arm light wall mount sconce is ADA compliant and fully enclosed with a top and bottom diffuser. White linen acrylic shade with satin nickel finish or hard-back linen shade with champagne finish. Fixture mounts to junction box behind the shade (not included).

Construction

Back plate is die formed of 20-gauge steel. Standard mounting holes and hardware are included. Power supply connections can be made inside a junction box (not included) or inside the ballast compartment. The arms are tapered cast aluminum and require assembly to the backplate and wall.

Finish

Backplate is finished in lighting grade white baked gloss enamel paint. Cast arm is finished in anodized champagne or a plated satin nickel.

Diffuser

Diffuser is a hard backed cream linen shade (LN) white linen acrylic (LA). Shade mounts to back plate with two screws. Top and bottom diffusers are .100" matte white acrylic.

Electrical

This unit is direct wired with a constant current LED driver rated for 120-277V. Compatible with residential (TRIAC/ELV) and commercial (0-10V) dimmers. TRIAC and ELV dimming only at 120VAC.

Lamping

Fixture includes LED modules capable of producing:
 Single Arm - 9W, 700 source lumens
 Double Arm - 17W, 1400 source lumens
 Adjustable Choice 3000K, 3500K, 4000K (CCT).
 Rated for 50,000 Hrs. 90 CRI.

Certification

All fixtures are cETLus listed for damp locations. ADA

Warranty

Limited warranty: This fixture is free from defects in materials and workmanship for a period of 5 years from date of purchase.

**Specifications and dimensions
subject to change without notice.**

Single Arm

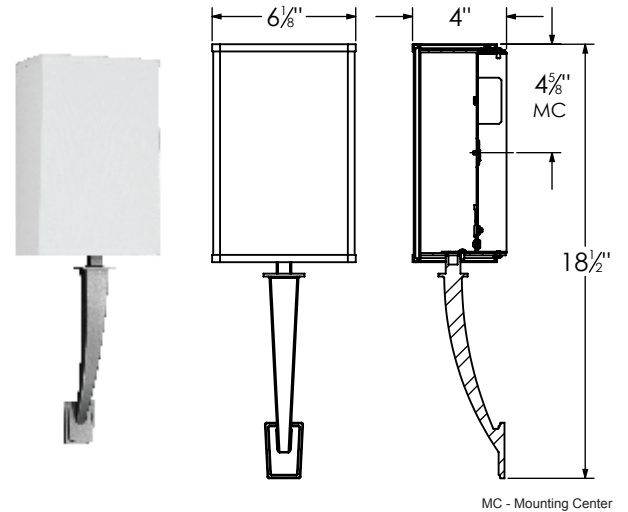
Satin Nickel	Champagne	LED	Source Lumens	Adjustable CCT	H	W	D
SHS061807LAJUDSNLA	SHS061807LAJUDACLN	9W	700	3000K/3500K/4000K	18-1/2"	6-1/8"	4"

Double Arm

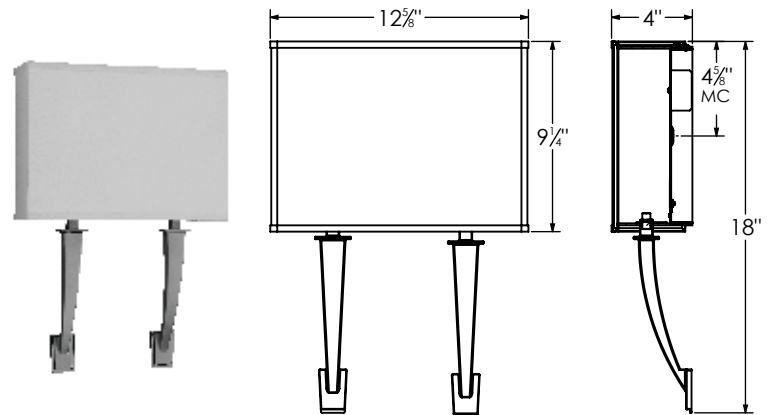
Satin Nickel	Champagne	LED	Source Lumens	Adjustable CCT	H	W	D
SHS121814LAJUDSNLA	SHS121814LAJUDACLN	17W	1400	3000K/3500K/4000K	18"	12-5/8"	4"

LOCATION	DATE
PREPARED BY	QUANTITY
COMMENTS	FIXTURE TYPE
CATALOG NUMBER	

3in1 color temperature
 3000K/3500K/4000K



MC - Mounting Center



MC - Mounting Center