

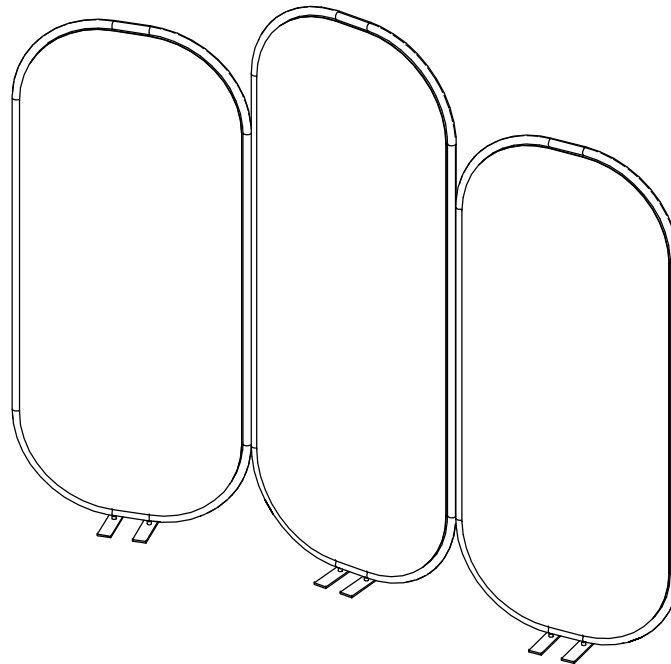
# MOE'S

home collection

## ASSEMBLY INSTRUCTIONS.

LOMA SCREEN

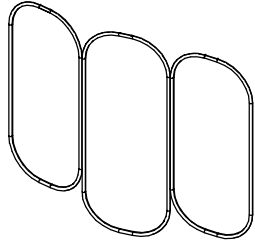
CV-1017-24



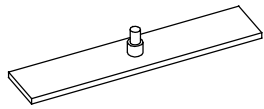
THANK YOU FOR YOUR PURCHASE !

## PARTS AND HARDWARE.

1. PARTITION PANEL X1



2. LEG X6

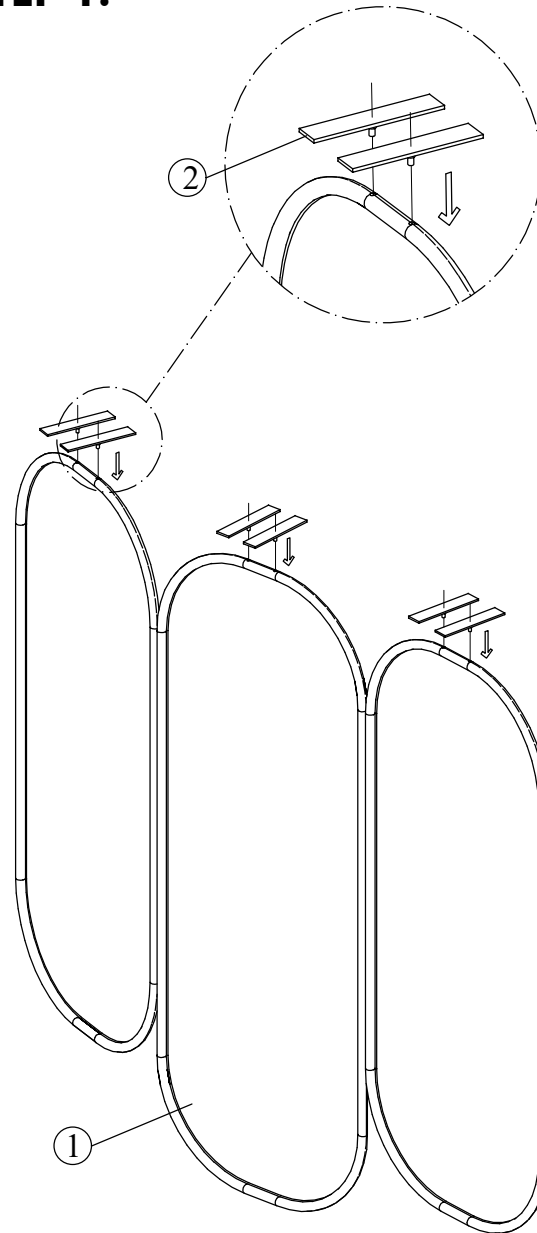


## NOTES.

Thank you for purchasing this quality product! Be sure to check all packing material carefully for small part that may have come loose inside the carton during shipping.

**CAUTION:** The item is heavy, assembly should be performed by two people.

## STEP 1.



## STEP 2.

