

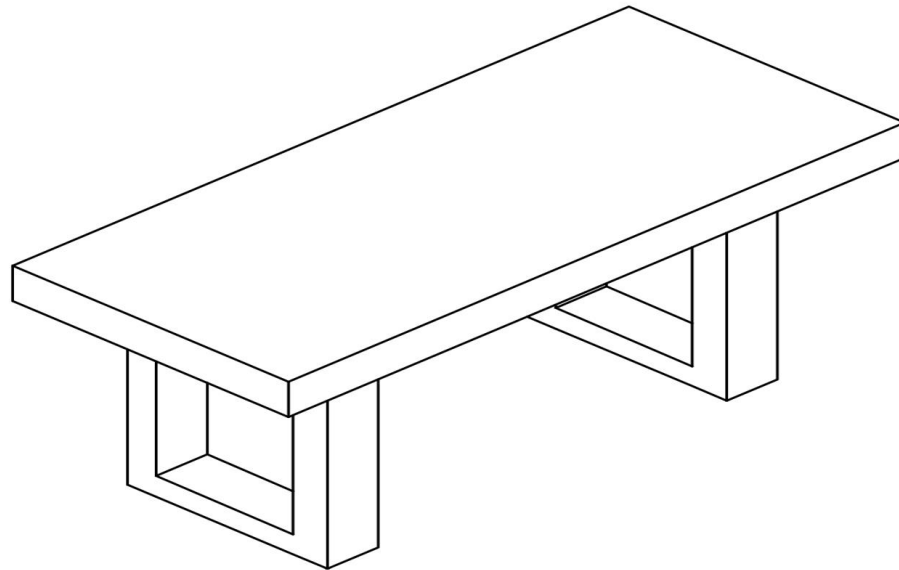
MOE'S

home collection

ASSEMBLY INSTRUCTIONS.

JEDRIK OUTDOOR DINING TABLE LARGE BLACK



BQ-1018-02






THANK YOU FOR YOUR PURCHASE!

PARTS AND HARDWARE.

PARTS LIST

No.	DESCRIPTION	IMAGE	Q'TY
P1	CONCRETE TOP		01
P2	METAL LEG		02

HARDWARE LIST

No.	DESCRIPTION	IMAGE	Q'TY
H1	SPANNER		01
H2	HEX NUT		32
H3	WASHER		32

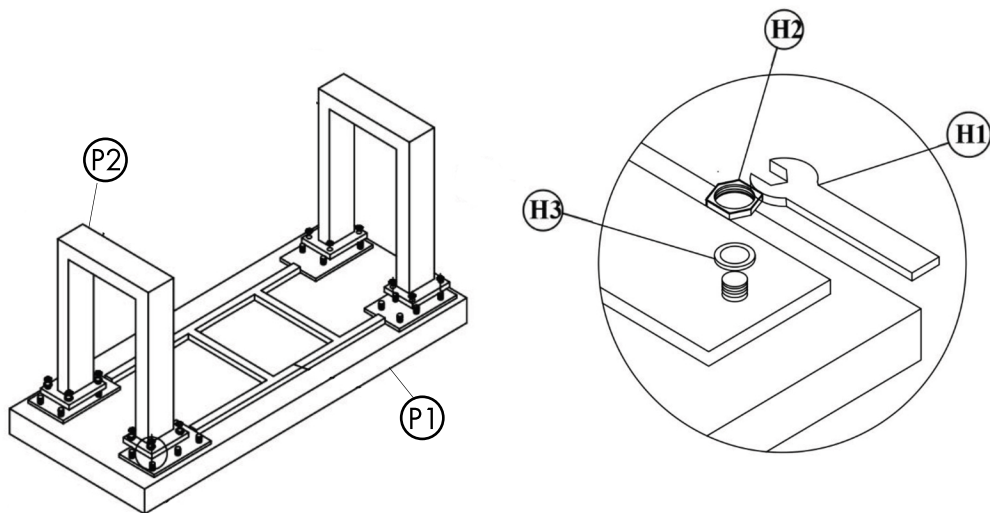
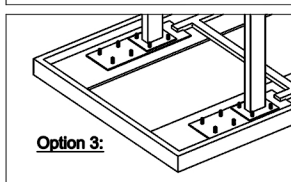
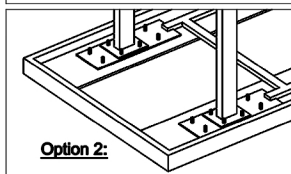
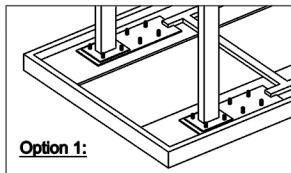
NOTES.

Thank you for purchasing this quality product! Be sure to check all packing material carefully for small part that may have come loose inside the carton during shipping.

CAUTION: The item is heavy, assembly should be performed by two people.

STEP 1.

Metal legs can install with concrete top 3 options as bellow:



STEP 2.

