

# Vivid II

495\_93S 1.0

## GENERATION LIGHTING UNDERCANINET

### GENERAL PRODUCT INFORMATION:

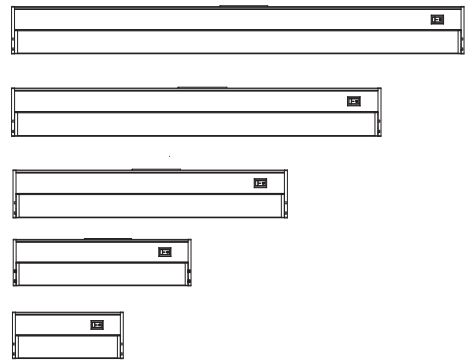
These fixtures are intended to be installed utilizing NEC compliant junction boxes.

This product is safety listed for damp locations.

This product may be dimmed with a low-voltage electronic dimmer.

This instruction shows a typical installation.

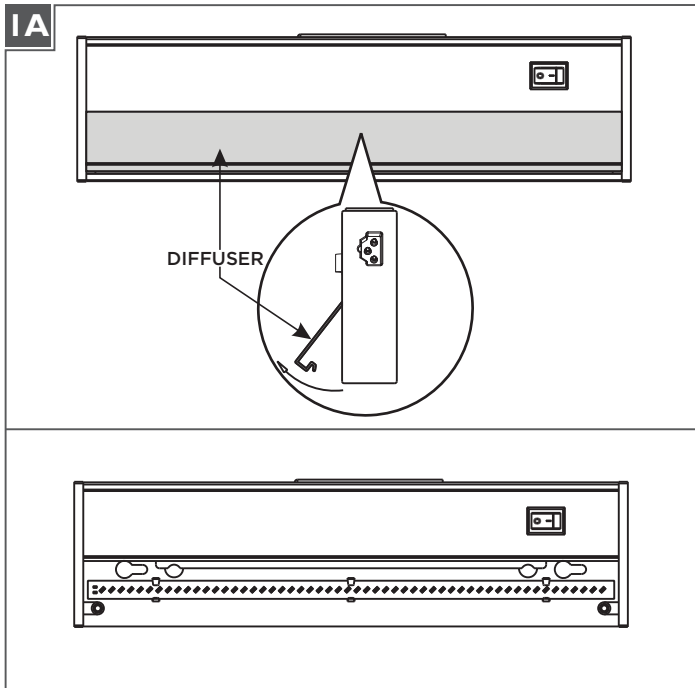
**SAVE THESE INSTRUCTIONS!**



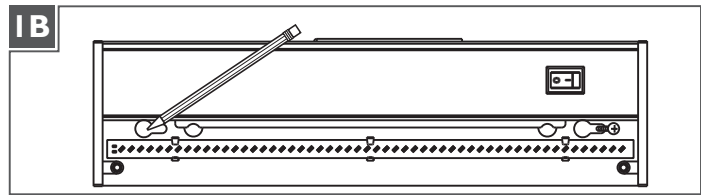
**CAUTION - RISK OF FIRE**  
This product must be installed in accordance with the applicable installation code by a person familiar with the construction and operation of the product and the hazards involved.  
Use minimum 90°C supply conductors.

### Install the Fixture

**Note:** Multiple fixtures may be interconnected at any distance apart in accordance with NEC specifications.

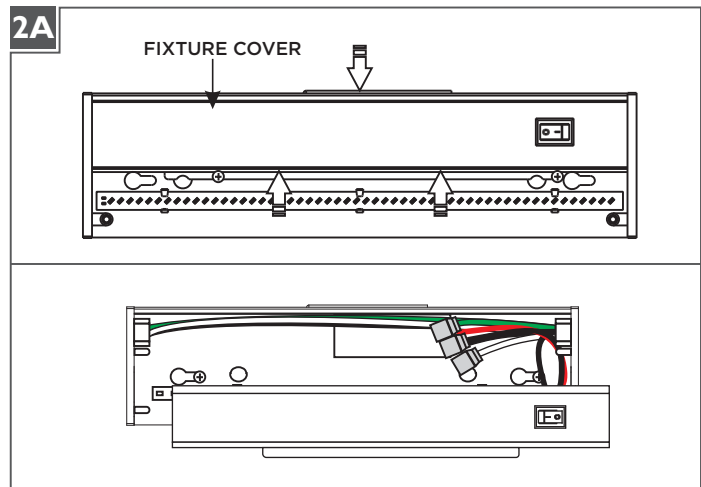


**1** Lift the diffuser up to gain access to the fixture.

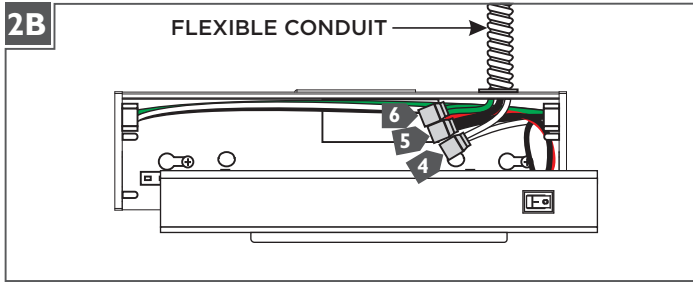


- 2** Use the keyhole slots to install the fixture(s).
- 3** If using a plug-in wall feed, close the diffuser (reversal of section 1A) and skip to section 3.

### Hard Wire the Fixture

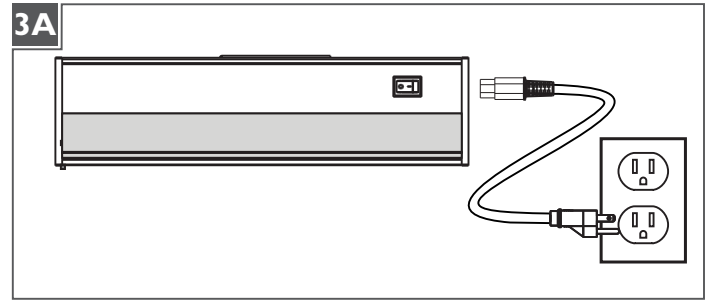


**1** Remove the fixture cover by squeezing the inside of the cover to release it.



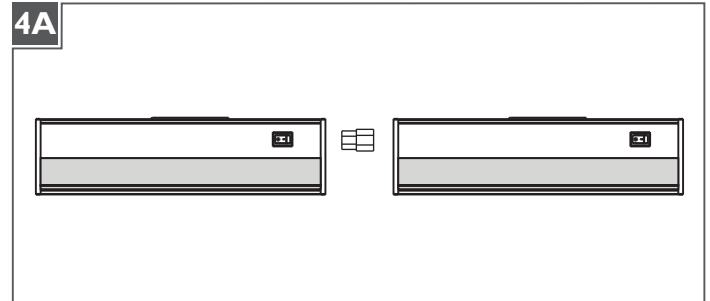
- 2** Determine the desired location of the conduit connection and remove one of the knockout from the back of the fixture.
- 3** Install the conduit adapter to the determined knockout location and feed the flexible conduit and the power lines into the fixture. Secure it by tightening down the screw on the conduit adapter.
- 4** Push the neutral power line to the wire connector with the pre-installed white wire.
- 5** Push the hot power line to the wire connector with the pre-installed black wire.
- 6** Connect the fixture to a suitable ground in accordance with local electrical code.
- 7** Properly place the wires and wire connectors into the top half of the fixture, replace the fixture cover (reversal of section 2A).

## Plug-In Wall Feed



- 1** Using the Plug-In Wall Feed, plug the Undercabinet unit directly into a wall outlet.

## Jumper Connector



- 1** Remove the connector cover and use the Jumper Connectors to link multiple Undercabinet units to one another.

GENERATION LIGHTING  
 7400 Linder Ave., Skokie, IL 60077  
 T 847.410.4400 | F 847.410.4500  
 www.generationlighting.com