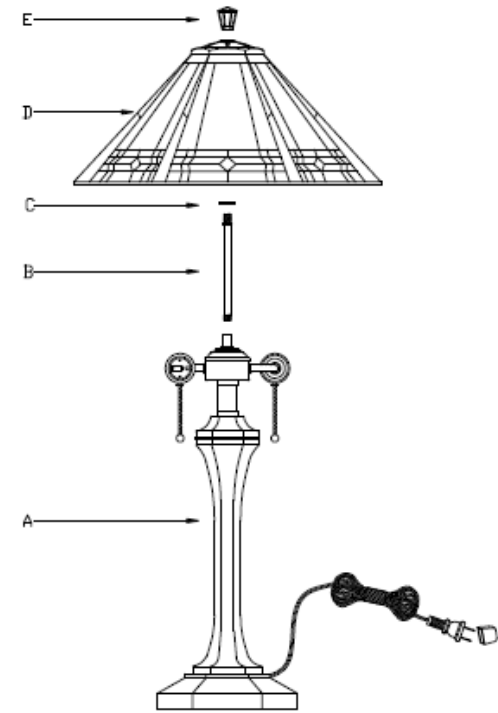


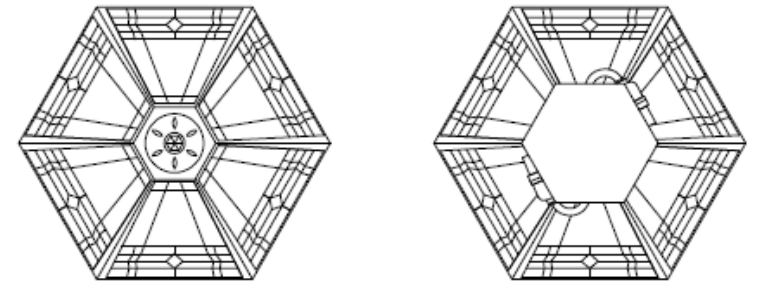
ASSEMBLY INSTRUCTIONS

ITEM NO: BO-2676TB

1. CAREFULLY UNPACK AND PLACE ALL PARTS ON A SMOOTH SURFACE AND LAY THEM UP AS PER THE SKETCH.
2. SCREW THE THREADED ROD(B) INTO LAMP BODY SECTION(A).
3. ADJUST THE KNURL NUT(C)ON THE THREADED ROD(B).
4. PUT THE SHADE(D) OVER KNUR NUT(C).
5. THEN TIGHT THE FINIAL (I).
6. INSERT THE POWER PLUG INTO PLUG SEAT TO USE



**Recommended (2) maximum 60 WATT Type “A” Bulbs
Or (2) maximum 13WATT CFL Bulbs (Bulbs not included)**



SAVE THESE INSTRUCTIONS FOR FUTURE REFERENCE.